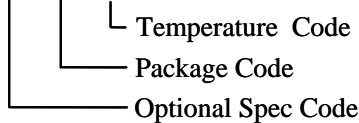


General Description

The SY6288 is an ultra-low $R_{DS(ON)}$ switch with current limitation function to protect the power source from over current and short circuit conditions.

Ordering Information

SY6288□(□□)□

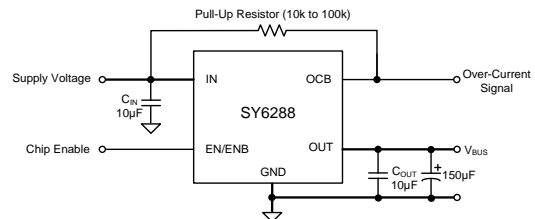


Ordering Number	Package Type	UL certified	TUV certified
SY6288AAAC	SOT23-5	YES	YES
SY6288ACAC	MSOP8	YES	YES
SY6288AFAC	SO8	YES	YES
SY6288A1AAC	SOT23-5	YES	YES
SY6288BAAC	SOT23-5	YES	YES
SY6288BCAC	MSOP8	YES	YES
SY6288BFAC	SO8	YES	YES
SY6288CAAC	SOT23-5	YES	YES
SY6288C30AAC	SOT23-5	YES	YES
SY6288CFAC	SO8	YES	YES
SY6288CCAC	MSOP8	YES	YES
SY6288C1CAC	MSOP8	YES	YES
SY6288C4CAC	MSOP8	YES	YES
SY6288C5CAC	MSOP8	YES	YES
SY6288C30CAC	MSOP8	YES	YES
SY6288DAAC	SOT23-5	YES	YES
SY6288D1AAC	SOT23-5	YES	YES
SY6288D30AAC	SOT23-5	YES	YES
SY6288DCAC	MSOP8	YES	YES
SY6288D1CAC	MSOP8	YES	YES
SY6288D5CAC	MSOP8	YES	YES
SY6288DFAC	SO8	YES	YES
SY6288D1FAC	SO8	YES	YES

Features

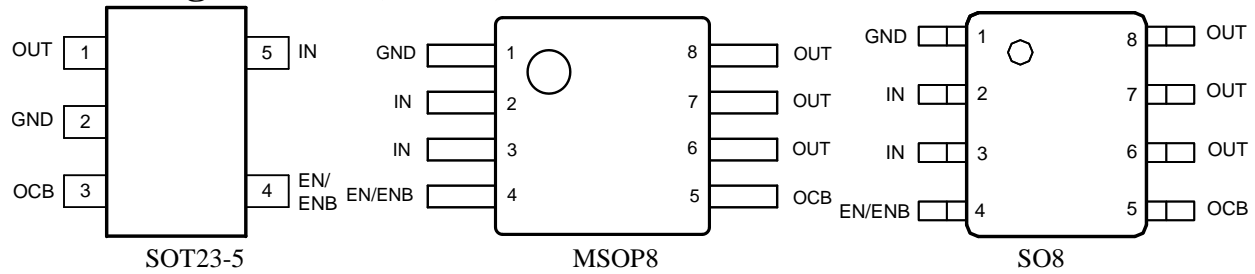
- Distribution Voltages: 2.5V to 5.5V
- Over Temperature Shutdown and Automatic Retry
- Reverse Blocking (No Body Diode)
- At Shutdown, OUT can be Forced Higher than IN
- Fault Flag (OCB) Output if Over Current, Thermal Shut Down or Reverse Blocking Happens
- Automatic Output Discharge at Shutdown
 - SY6288A1: No Output Discharge Function
 - Others: Auto Output Discharge Function
- Built-in Soft-start
- 0.4ms Rise Time
- RoHS Compliant and Halogen Free
- Two Enable Polarities and Three Current Levels
 - SY6288A: Active High/0.6A
 - SY6288A1: Active High/0.6A
 - SY6288B: Active Low/0.6A
 - SY6288C: Active High/2A
 - SY6288C1: Active High/1.5A
 - SY6288C30: Active High/2A
 - SY6288C4: Active High/2A
 - SY6288C5: Active High/2.5A
 - SY6288D: Active Low/2A
 - SY6288D1: Active Low/1.5A
 - SY6288D5: Active Low/2.5A
 - SY6288D30: Active Low/2A
- Compact Packages Minimize the Board Space: SOT23-5, SO8, MSOP8
- TUV Certification NO. R 50188769
- UL Certification NO. E491480
- CB Certification by IEC 62368-1

Typical Application Circuit



Note: A low-ESR 150µF aluminum electrolytic or tantalum between VOUT and GND is strongly recommended.

Pin Configurations (Top View)



Part Number	Package type	Top Mark ^①
SY6288AAAC	SOT23-5	CW _{xyz}
SY6288ACAC	MSOP8	ABT _{xyz}
SY6288AFAC	SO8	AAJ _{xyz}
SY6288A1AAC	SOT23-5	Fd _{xyz}
SY6288BAAC	SOT23-5	DB _{xyz}
SY6288BCAC	MSOP8	ABD _{xyz}
SY6288BFAC	SO8	AAL _{xyz}
SY6288CAAC	SOT23-5	DF _{xyz}
SY6288C30AAC	SOT23-5	Br _{xyz}
SY6288CCAC	MSOP8	ABU _{xyz}
SY6288C1CAC	MSOP8	ADK _{xyz}
SY6288C4CAC	MSOP8	AEX _{xyz}
SY6288C5CAC	MSOP8	AZD _{xyz}
SY6288C30CAC	MSOP8	ARW _{xyz}
SY6288CFAC	SO8	AAM _{xyz}
SY6288DAAC	SOT23-5	BU _{xyz}
SY6288D1AAC	SOT23-5	DS _{xyz}
SY6288D30AAC	SOT23-5	Bq _{xyz}
SY6288DCAC	MSOP8	ABE _{xyz}
SY6288D1CAC	MSOP8	ACK _{xyz}
SY6288D5CAC	MSOP8	AZE _{xyz}
SY6288DFAC	SO8	AAN _{xyz}
SY6288D1FAC	SO8	ACJ _{xyz}

Note ①: x=year code, y=week code, z= lot number code.

Functional Pin Description

Pin Name	Pin Number (SO8, MSOP8)	Pin Number (SOT23-5)	Pin Description
IN	2,3	5	Input pin.
GND	1	2	Ground pin.
OUT	6,7,8	1	Output pin.
EN- SY6288A/A1/C/C1 /C30/C4/C5 ENB-SY6288B/D1/D5/D30	4	4	ON/OFF control. Don't float. EN: high enable. ENB: low enable.
OCB	5	3	Open-drain fault flag.

Absolute Maximum Ratings (Note 1)

IN, OUT, OCB, EN/ENB	-----	-0.3V to 6V
Power Dissipation, P_D @ $T_A = 25\text{ }^\circ\text{C}$ SOT23-5/MSOP8/SO8	-----	1/0.66/1.11W
Package Thermal Resistance (Note 2)		
SOT23-5/MSOP8/SO8, θ_{JA}	-----	100/150/90 $^\circ\text{C}/\text{W}$
SOT23-5/MSOP8/SO8, θ_{JC}	-----	30/65/45 $^\circ\text{C}/\text{W}$
Junction Temperature Range	-----	-40 $^\circ\text{C}$ to 150 $^\circ\text{C}$
Lead Temperature (Soldering, 10 sec.)	-----	260 $^\circ\text{C}$
Storage Temperature Range	-----	-65 $^\circ\text{C}$ to 150 $^\circ\text{C}$

Recommended Operating Conditions (Note 3)

IN	-----	2.5V to 5.5V
EN/ENB	-----	-0.3V to $V_{IN}+0.3\text{V}$
OUT, OCB	-----	0-5.5V
Junction Temperature Range	-----	-40 $^\circ\text{C}$ to 125 $^\circ\text{C}$
Ambient Temperature Range	-----	-40 $^\circ\text{C}$ to 85 $^\circ\text{C}$

Block Diagram

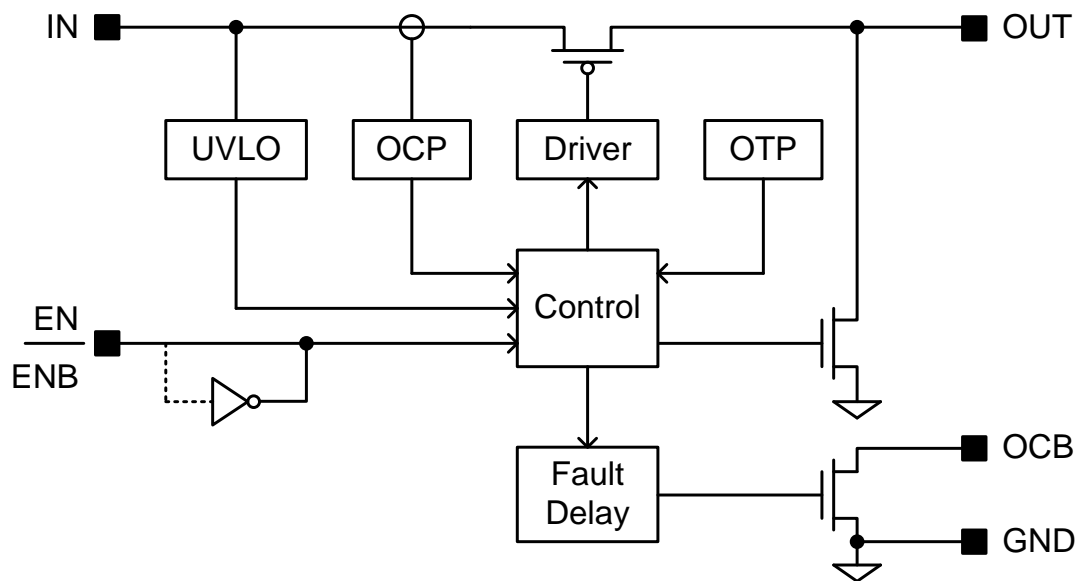


Figure1. Block Diagram



Electrical Characteristics

($V_{IN} = 5V$, $C_L = 1\mu F$, per channel, $T_A = 25^\circ C$ unless otherwise specified)

Parameter	Symbol	Test Conditions	Min	Typ	Max	Unit
Input Voltage Range	V_{IN}		2.5		5.5	V
Shutdown Input Current	I_{SHDN}	Open load, switch off		0.1	1	μA
		Output grounded, switch off		0.1	1	μA
Quiescent Supply Current	I_Q	Open load, switch on		32		μA
FET R_{ON}	$R_{DS(ON)}$	SOT23-5 (SY6288A/B/C/D/D1)	60	80	100	m Ω
		SOT23-5(SY6288A1/C30/D30)	50	70	90	m Ω
		MSOP8 (SY6288A/B/C/C1/C4)	60	80	100	m Ω
		MSOP8(SY6288C5/D1 /D5)	50	70	90	m Ω
		MSOP8 (SY6288C30/D)	57	70	83	m Ω
		SO8(SY6288A/B/C/D/D1)	65	85	105	m Ω
Current Limit	I_{LIM}	SY6288A/A1/B	0.8	1.2	1.6	A
		SY6288C/C30/D/D30	2.1	2.9	3.7	A
		SY6288C1	1.6	2.4	3.2	A
		SY6288D1	1.6	2.5	3.7	A
		SY6288C4	2.5	2.9	3.7	A
		SY6288C5/D5	2.7	3.55	4.4	A
Short Circuit Output Current	I_{OS}	MSOP8 (SY6288D), OUT connected to GND, device enabled	1.2	1.8	2.4	A
EN/ \overline{EN} Threshold	Logic-Low Voltage	V_{IL}			0.8	V
	Logic-High Voltage	V_{IH}	2			V
IN UVLO Threshold	$V_{IN,UVLO}$				2.4	V
IN UVLO Hysteresis	$V_{IN,HYS}$			0.1		V
Turn-ON Time	t_{ON}	$R_L = 5\ \Omega$, $C_L = 1\ \mu F$		400		μs
OCB Low Resistance	R_{OCB}			10		Ω
OCB Delay Time	t_{OCB_DELAY}			10		ms
OUT Shutdown Discharge Resistance	R_{DIS}	Except for SY6288A1		10		Ω
Thermal Shutdown Temperature	T_{SD}			150		$^\circ C$
Thermal Shutdown Hysteresis				20		$^\circ C$

Note 1: Stresses beyond the “Absolute Maximum Ratings” may cause permanent damage to the device. These are stress ratings only. Functional operation of the device at these or any other conditions beyond those indicated in the operational sections of the specification is not implied. Exposure to absolute maximum rating conditions for extended periods may affect the device reliability.

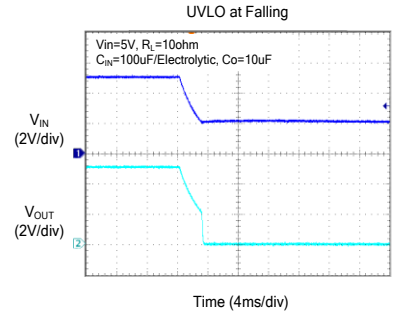
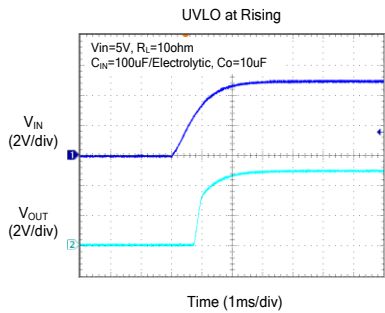
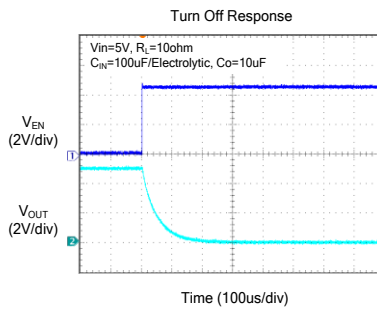
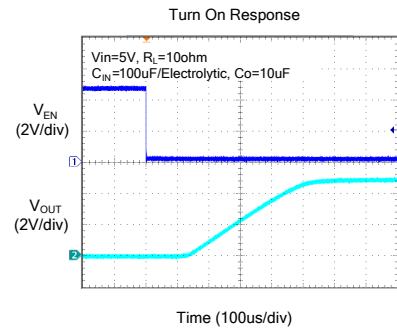
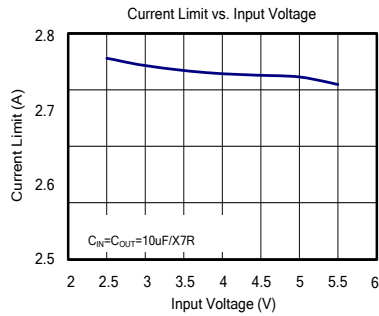
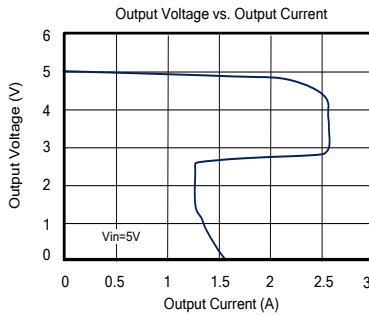
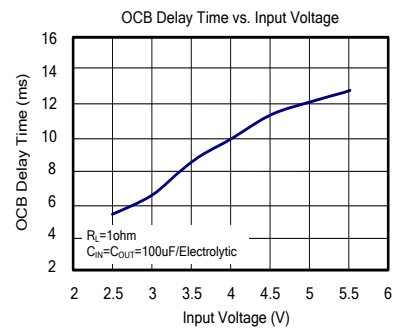
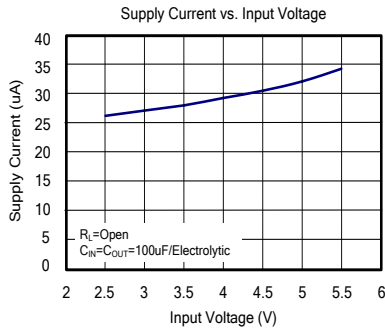
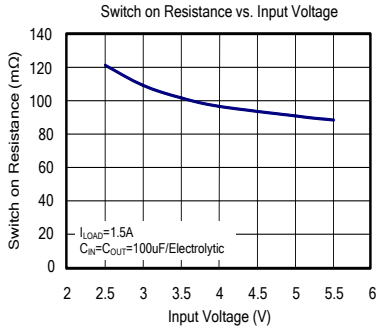
Note 2: θ_{JA} is measured in the natural convection at $T_A = 25^\circ C$ on a high effective single layer thermal conductivity test board of JEDEC 51-3 thermal measurement standard.

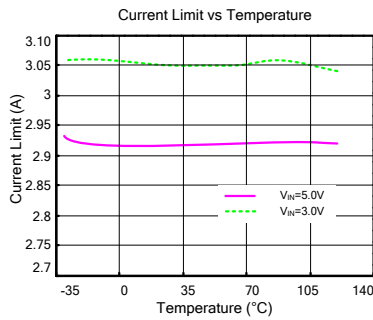
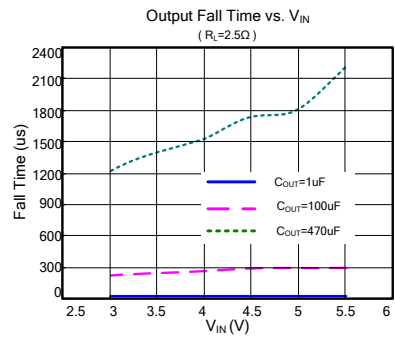
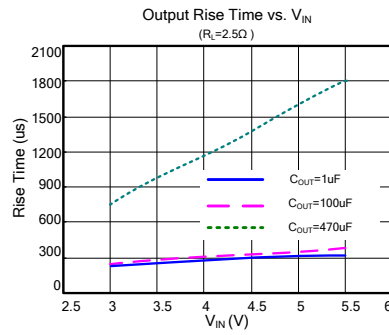
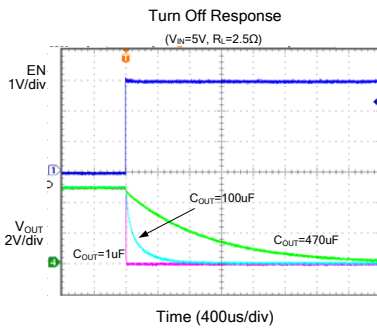
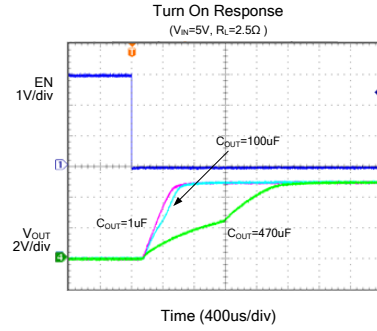
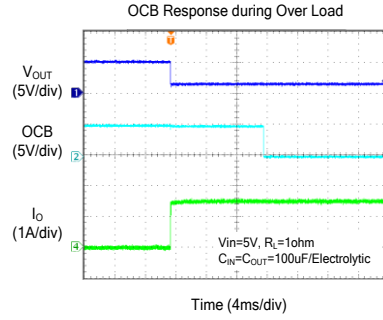
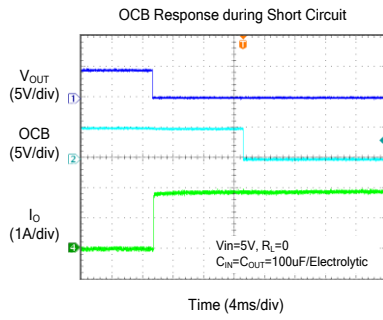
Note 3: The device is not guaranteed to function outside its operating conditions.



SILERGY

Typical Operating Characteristics (SY6288DFAC)





Operation

The SY6288 is a current limited P-channel MOSFET power switch designed for high-side load-switching applications. There is no parasitic body diode between the drain and the source of the MOSFET. The SY6288 could prevent the current flow from output to input even OUT is externally forced at a higher voltage than V_{IN} when the IC is disabled.

Over Current Protection

When the over current condition is sensed, the gate of the pass switch will be modulated to achieve the constant output current. Under output short circuit conditions, the normal current limit will fold back 50%. If the over current condition persists for a long enough time, the junction temperature may exceed 150°C , and the over-temperature protection will shut down the IC. Once the chip temperature drops to 130°C , the IC will restart.

Fault Flag (OCB)

The OCB output will be asserted (active low) when an over temperature shutdown condition is encountered. The OCB will also be pulled if over current happens and persists for 10ms. The output will remain asserted until the fault status is removed. Connecting a heavy capacitive load to an enabled device can cause a momentary over current condition. However, no false reporting on OCB occurs due to the 10ms deglitch circuit. The OCB will not be deglitched when the switch is turned OFF due to an over temperature shutdown.

Supply Filter Capacitor

In order to prevent the input voltage droop during the hot-plug events, a $10\mu\text{F}$ ceramic capacitor from V_{IN} to GND is strongly recommended. However, higher capacitor values could reduce the voltage droop on the input further. Furthermore, an output short will cause ringing on the input without the input capacitor. It can destroy the internal circuitry when the input transient exceeds 6V which is the absolute maximum supply voltage even for a short duration.

Output Filter Capacitor

Between V_{OUT} and GND, a low-ESR $150\mu\text{F}$ aluminum electrolytic or tantalum capacitor is strongly recommended to meet the 330mV maximum droop requirement. Standard bypass methods should be used for minimizing the inductance and resistance between the bypass capacitor and the down stream connector. This will reduce EMI and improve the transient

performance. If long cables are connected to the output terminals, an anti-parallel schottky diode such as BAT54 will be suggested to be placed in parallel with the output terminals to absorb the negative ring due to the cable inductance.

PCB Layout Guide

For best performance of the SY6288, the following guidelines must be strictly followed:

- 1) Keep all V_{BUS} traces as short and wide as possible and use at least 2 ounce copper for all V_{BUS} traces.
- 2) Place a ground plane under all the circuitry to lower both resistance and inductance for improving DC and transient performance.
- 3) A low-ESR $150\mu\text{F}$ aluminum electrolytic or tantalum capacitor between V_{OUT} and GND is strongly recommended.
- 4) Locate the output capacitor as close to the connectors as possible to lower the impedance (mainly inductance) between the port and the capacitor for improving the transient performance.
- 5) The input and output capacitors should be placed closed to the IC and connected to the ground plane to reduce the noise coupling.
- 6) Locate the ceramic bypass capacitors as close as possible to the V_{IN} and V_{OUT} pins of the SY6288.

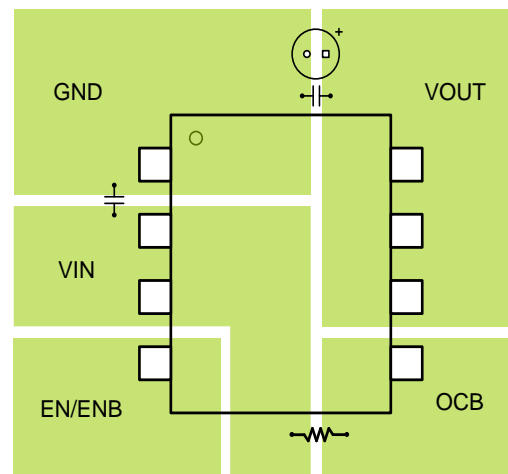


Figure2. PCB Layout Guide (SO8)

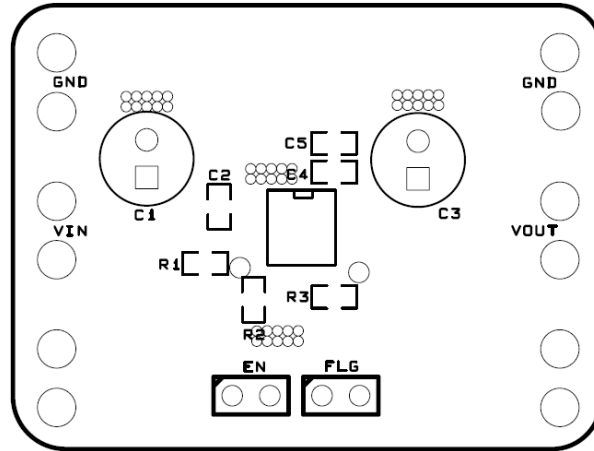


Figure3. PCB Top Over Layer (SO8)

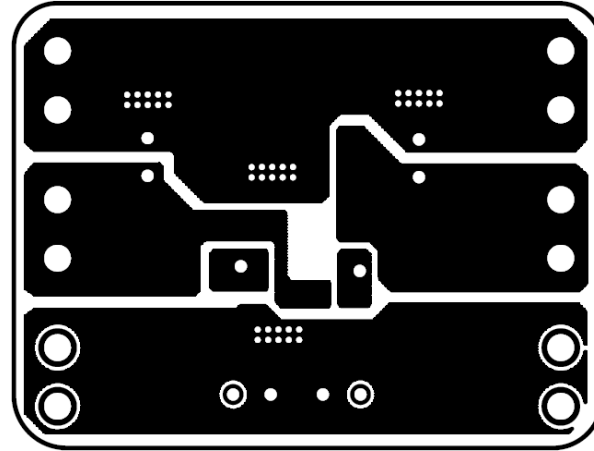


Figure4. PCB Top Layer (SO8)

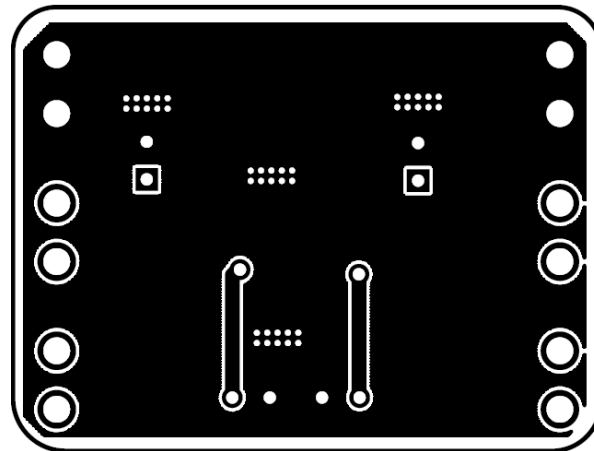
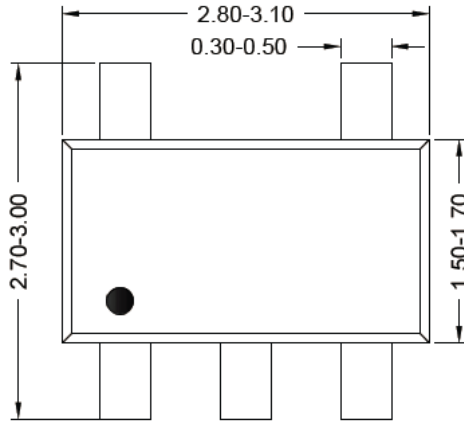
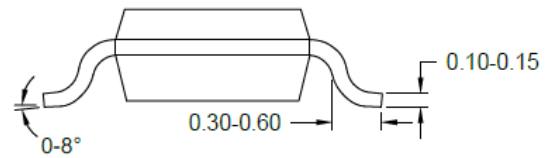


Figure5. PCB Bottom Layer (SO8)

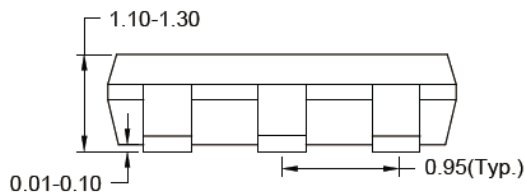
SOT23-5 Package Outline & PCB Layout



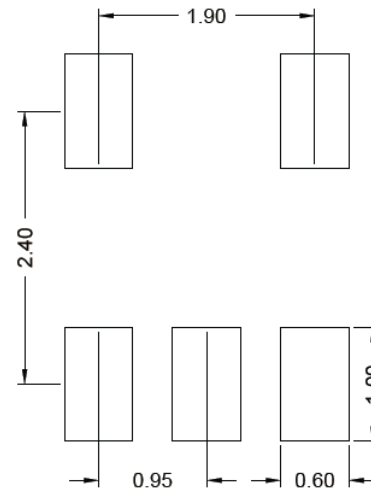
Top view



Side view



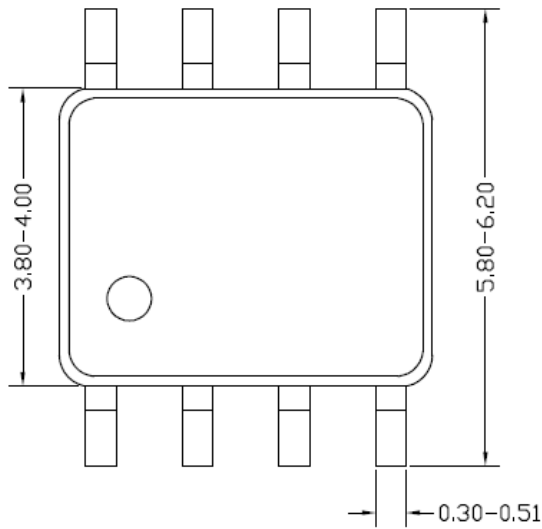
Front view



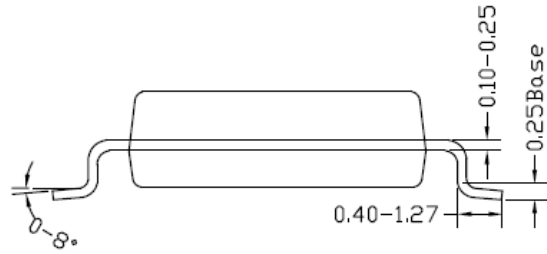
Recommended Pad Layout

Notes: All dimension in millimeter and exclude mold flash & metal burr.

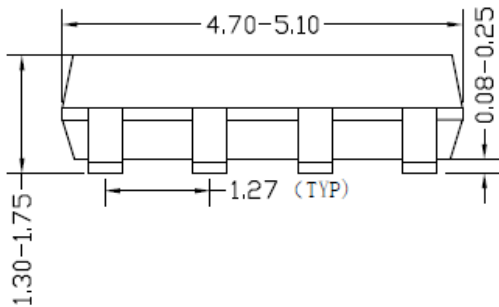
SO8 Package Outline & PCB Layout Design



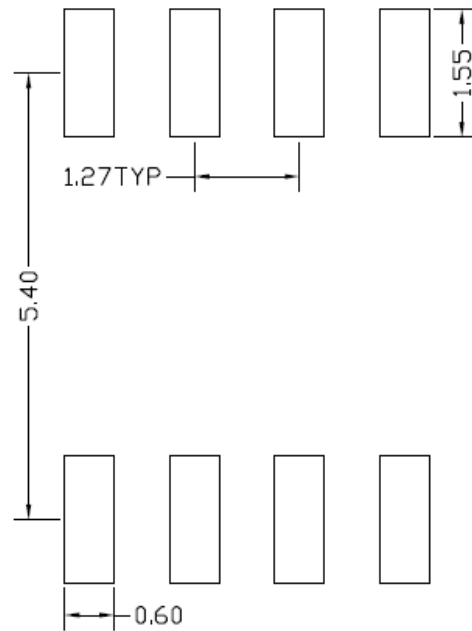
Top view



Side view



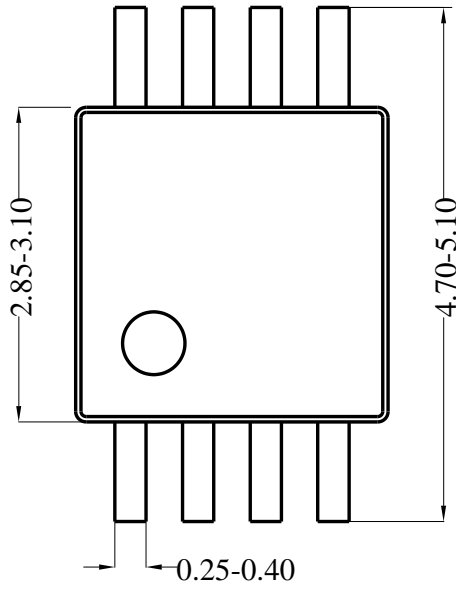
Front view



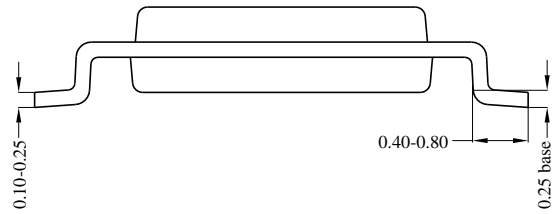
**Recommended Pad Layout
(Reference only)**

Notes: All dimension in millimeter and exclude mold flash & metal burr.

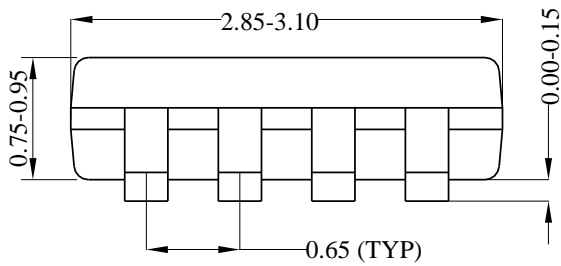
MSOP8 Package Outline & PCB Layout



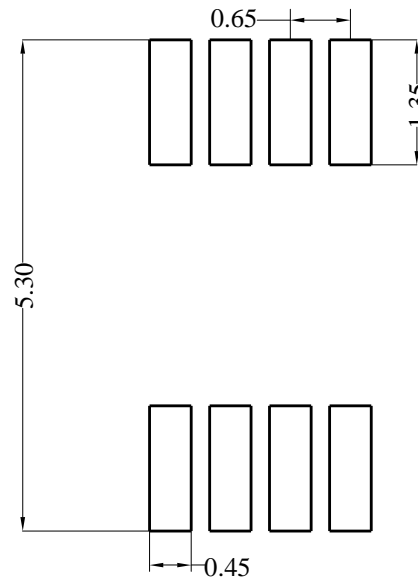
Top View



Side View A



Side View B



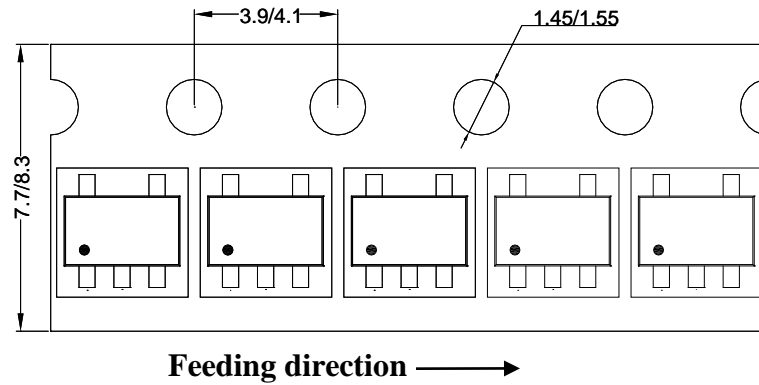
Recommended Pad Layout

Notes: All dimension in millimeter and exclude mold flash & metal burr.

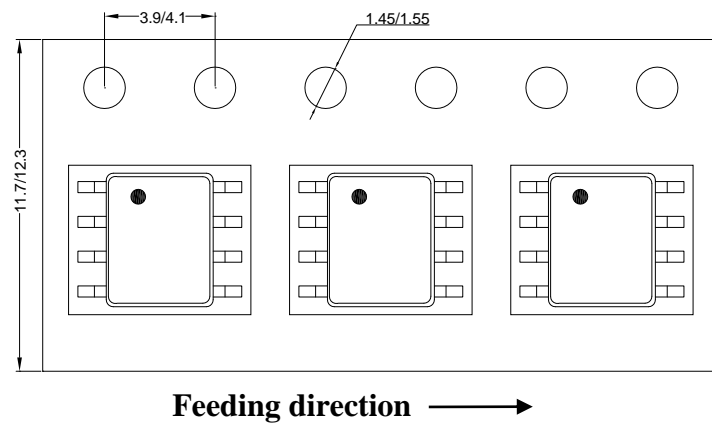
Taping & Reel Specification

1. Taping orientation

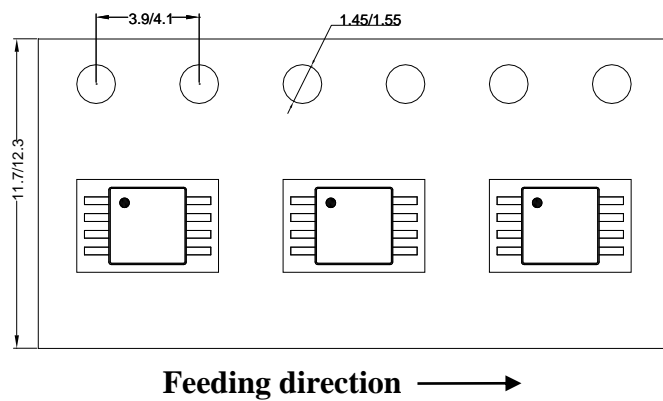
SOT23-5



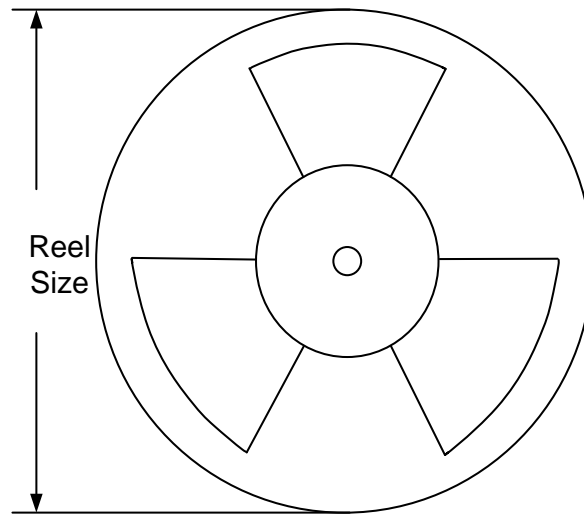
SOP8



MSOP8



2. Carrier Tape & Reel Specification for Packages



Package types	Tape width (mm)	Pocket pitch(mm)	Reel size (Inch)	Reel width(mm)	Trailer length(mm)	Leader length (mm)	Qty per reel
SOT23-5	8	4	7"	8.4	280	160	3000
SOP8	12	8	13"	12.4	400	400	2500
MSOP8	12	8	13"	12.4	400	400	3000

3. Others: NA



IMPORTANT NOTICE

- 1. Right to make changes.** Silergy and its subsidiaries (hereafter Silergy) reserve the right to change any information published in this document, including but not limited to circuitry, specification and/or product design, manufacturing or descriptions, at any time and without notice. This document supersedes and replaces all information supplied prior to the publication hereof. Buyers should obtain the latest relevant information before placing orders and should verify that such information is current and complete. All semiconductor products are sold subject to Silergy's standard terms and conditions of sale.
- 2. Applications.** Application examples that are described herein for any of these products are for illustrative purposes only. Silergy makes no representation or warranty that such applications will be suitable for the specified use without further testing or modification. Buyers are responsible for the design and operation of their applications and products using Silergy products. Silergy or its subsidiaries assume no liability for any application assistance or designs of customer products. It is customer's sole responsibility to determine whether the Silergy product is suitable and fit for the customer's applications and products planned. To minimize the risks associated with customer's products and applications, customer should provide adequate design and operating safeguards. Customer represents and agrees that it has all the necessary expertise to create and implement safeguards which anticipate dangerous consequences of failures, monitor failures and their consequences, lessen the likelihood of failures that might cause harm and take appropriate remedial actions. Silergy assumes no liability related to any default, damage, costs or problem in the customer's applications or products, or the application or use by customer's third-party buyers. Customer will fully indemnify Silergy, its subsidiaries, and their representatives against any damages arising out of the use of any Silergy components in safety-critical applications. It is also buyers' sole responsibility to warrant and guarantee that any intellectual property rights of a third party are not infringed upon when integrating Silergy products into any application. Silergy assumes no responsibility for any said applications or for any use of any circuitry other than circuitry entirely embodied in a Silergy product.
- 3. Limited warranty and liability.** Information furnished by Silergy in this document is believed to be accurate and reliable. However, Silergy makes no representation or warranty, expressed or implied, as to the accuracy or completeness of such information and shall have no liability for the consequences of use of such information. In no event shall Silergy be liable for any indirect, incidental, punitive, special or consequential damages, including but not limited to lost profits, lost savings, business interruption, costs related to the removal or replacement of any products or rework charges, whether or not such damages are based on tort or negligence, warranty, breach of contract or any other legal theory. Notwithstanding any damages that customer might incur for any reason whatsoever, Silergy' aggregate and cumulative liability towards customer for the products described herein shall be limited in accordance with the Standard Terms and Conditions of Sale of Silergy.
- 4. Suitability for use.** Customer acknowledges and agrees that it is solely responsible for compliance with all legal, regulatory and safety-related requirements concerning its products, and any use of Silergy components in its applications, notwithstanding any applications-related information or support that may be provided by Silergy. Silergy products are not designed, authorized or warranted to be suitable for use in life support, life-critical or safety-critical systems or equipment, nor in applications where failure or malfunction of an Silergy product can reasonably be expected to result in personal injury, death or severe property or environmental damage. Silergy assumes no liability for inclusion and/or use of Silergy products in such equipment or applications and therefore such inclusion and/or use is at the customer's own risk.
- 5. Terms and conditions of commercial sale.** Silergy products are sold subject to the standard terms and conditions of commercial sale, as published at <http://www.silergy.com/stdterms>, unless otherwise agreed in a valid written individual agreement specifically agreed to in writing by an authorized officer of Silergy. In case an individual agreement is concluded only the terms and conditions of the respective agreement shall apply. Silergy hereby expressly objects to and denies the application of any customer's general terms and conditions with regard to the purchase of Silergy products by the customer.
- 6. No offer to sell or license.** Nothing in this document may be interpreted or construed as an offer to sell products that is open for acceptance or the grant, conveyance or implication of any license under any copyrights, patents or other industrial or intellectual property rights. Silergy makes no representation or warranty that any license, either express or implied, is granted under any patent right, copyright, mask work right, or other intellectual property right. Information published by Silergy regarding third-party products or services does not constitute a license to use such products or services or a warranty or endorsement thereof. Use of such information may require a license from a third party under the patents or other intellectual property of the third party, or a license from Silergy under the patents or other intellectual property of Silergy.

For more information, please visit: www.silergy.com

© 2020 Silergy Corp.

All Rights Reserved.