

General Description

The SY5862 is an adaptive linear current regulator to eliminate low frequency current ripple targeting at LED lighting applications.

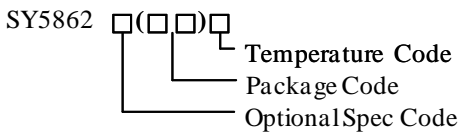
It is applied as a current filter to the output of a LED driver, especially single stage LED driver. It adopts adaptive control scheme and no additional electrical design is needed.

Reliable open/short LED protection and over thermal protection are all provided.

Features

- Current filter for single stage LED driver to eliminate current ripple
- Proprietary scheme for low power loss $\leq 2.5\%$
- Adaptive for wide output speculation:
Output voltage range from 20V to 60V
Output current range from 0.2A to 0.6A
- Open LED Protection and Short LED protection
- Reliable short LED and Open LED protection
- RoHS Compliant and Halogen Free
- Compact package: SO8

Ordering Information



| Ordering Number | Package type | Note |
|-----------------|--------------|------|
| SY5862FAC | SO8 | ---- |

Applications

- LED lighting

Typical Applications

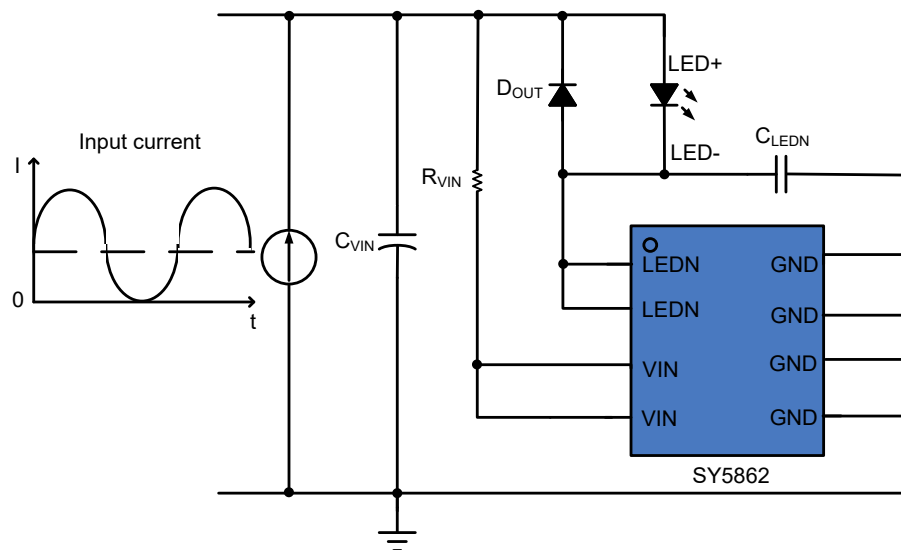
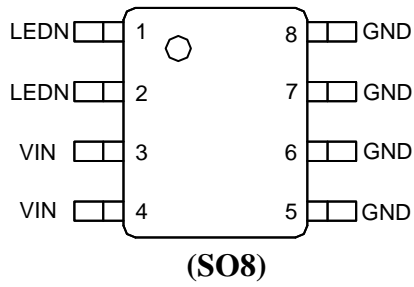


Figure 1. Schematic Diagram

Pinout (top view)



Top Mark: AYExyz (device code: AYE, x=year code, y=week code, z= lot number code)

| Pin Name | Pin Description |
|----------|------------------------|
| LEDN | Cathode of LED string. |
| VIN | Power Supply |
| GND | Ground pin |

Block Diagram

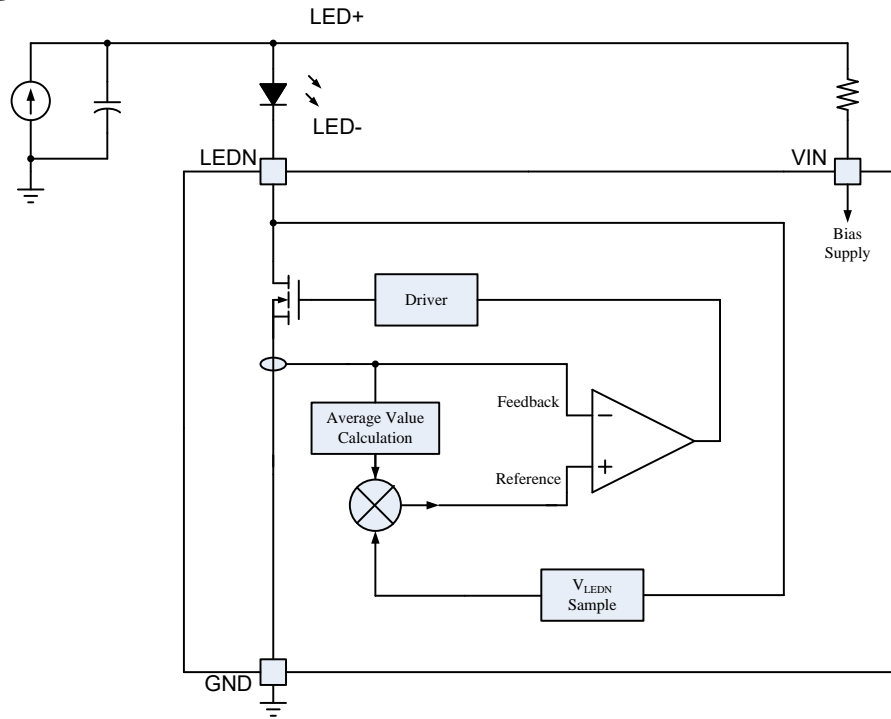


Fig. 2. Block diagram



Absolute Maximum Ratings (Note 1)

| | | |
|---------------------------------------|-------|----------------|
| VIN | ----- | -0.3~60V |
| LEDN | ----- | -0.3~60V |
| Power Dissipation, @ TA = 25°C SO8 | ----- | 0.6W |
| Package Thermal Resistance (Note 2) | | |
| SO8, θ_{JA} | ----- | 88°C/W |
| SO8, θ_{JC} | ----- | 45°C/W |
| Junction Temperature Range | ----- | -40°C to 150°C |
| Lead Temperature (Soldering, 10 sec.) | ----- | 260°C |
| Storage Temperature Range | ----- | -65°C to 150°C |

Recommended Operating Conditions

| | | |
|-----------|-------|---------|
| VIN, LEDN | ----- | 20V~60V |
|-----------|-------|---------|

Electrical Characteristics

($V_{IN} = 12V$, $T_A = 25^\circ C$ unless otherwise specified)

| Parameter | Symbol | Test Conditions | Min | Typ | Max | Unit |
|--------------------------------|----------------|------------------|-----|-----|-----|---------|
| Power Supply Section | | | | | | |
| VIN turn-on threshold | V_{VIN_ON} | | | 3.5 | | V |
| VIN turn-off threshold | V_{VIN_OFF} | | | 3.3 | | V |
| VIN operating current | I_{VIN} | | | 96 | | μA |
| LEDN Section | | | | | | |
| High Voltage Protection | V_{LEDN_HV} | | | 5 | | V |
| Over Voltage Protection | V_{LEDN_OV} | | | 14 | | V |
| Thermal Section | | | | | | |
| Thermal Shutdown Temperature | T_{SD1} | $V_{LEDN} < 15V$ | | 150 | | C |
| Thermal Shutdown Temperature | T_{SD2} | $V_{LEDN} > 15V$ | | 100 | | C |
| Thermal Hysteresis Temperature | T_{HYS} | | | 20 | | C |

Note 1: Stresses beyond the “Absolute Maximum Ratings” may cause permanent damage to the device. These are stress ratings only. Functional operation of the device at these or any other conditions beyond those indicated in the operational sections of the specification is not implied. Exposure to absolute maximum rating conditions for extended periods may affect device reliability.

Note 2: Θ_{JA} is measured in the natural convection at $T_A = 25^\circ C$ on a low effective single layer thermal conductivity test board of JEDEC 51-3 thermal measurement standard. Test condition: Device mounted on 2” x 2” FR-4 substrate PCB, 2oz copper, with minimum recommended pad on top layer and thermal vias to bottom layer ground plane.

General Applications

The SY5862 is an adaptive linear current regulator to eliminate low frequency current ripple targeting at LED lighting applications.

It is applied as a current filter to the output of a LED driver, especially single stage LED driver. It adopts adaptive control scheme and no additional electrical design is needed.

It is adaptive for wide output speculation, the output voltage is ranging from 20V to 60V; the maximum output current is 0.6A. It adopts proprietary scheme for low power loss and the efficiency loss is no more than 2.5%. It also can be operated in parallel to support higher LED current.

SY5862 provides reliable protections such as Short LED Protection (SLP), Open LED Protection (OLP), and Over Temperature Protection (OTP).

SY5862 is available with SO8

Start up

When V_{VIN} rises up over V_{VIN_ON} , internal blocks start to work. At first, it has certain blanking time without current filter function to build up stable average current reference internally. Then the LED current ripple is suppressed gradually.

Shut down

When V_{VIN} drops down below V_{VIN_OFF} , LEDN Pin is changed to high impedance to GND Pin.

Steady state

LED current is sampled and processed inside the IC. The average value of LED current is taken as the reference to regulate the instantaneous current. At the same time, V_{LEDN} is sensed and kept low to avoid high power loss on the IC.

If the input/output has certain dynamic turbulence, V_{LEDN} might be higher than V_{LEDN_HV} , then LED current ripple suppression will be loosen to make V_{LEDN} drop down quickly until V_{LEDN} is lower than

V_{LEDN_HV} . Hence, the normal value of V_{LEDN} must be lower than V_{LEDN_HV} .

Open LED & Recover

When LED is open, LED current and V_{LEDN} both drop to zero naturally, the IC will quit the current filter function.

When LED is recovered, LED current is sensed and IC acts just like start up again.

Short LED & Recover

When LED is short, V_{LEDN} is pulled up high. If V_{LEDN} is higher than V_{LEDN_OV} , LED current will be limited at certain value and thermal shut down threshold is changed down to T_{SD2} .

When LED is recovered, V_{LEDN} is pulled down. If V_{LEDN} is lower than V_{LEDN_OV} , LED current limit is removed and thermal shut down threshold is changed back to T_{SD1} .

When LED is short, the external diode D_{OUT} is used to avoid LEDN overshoot which is caused by parasitic inductance of output wire.

Safety Test

The external R_{VIN} and C_{LEDN} are used to protect VIN/LEDN pin from overvoltage, especially in the ESD Test and Hipot Test, recommend $R_{VIN}=20K\Omega$ and $C_{LEDN}=100nF$.

Parallel operation application

SY5862 can be operated in parallel to support higher LED current. The circuit is shown in below.

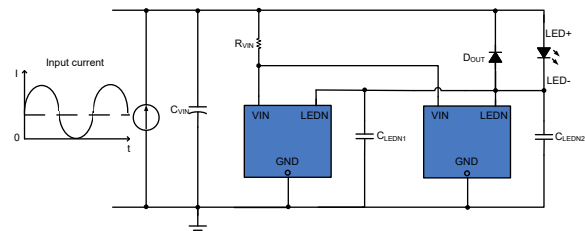
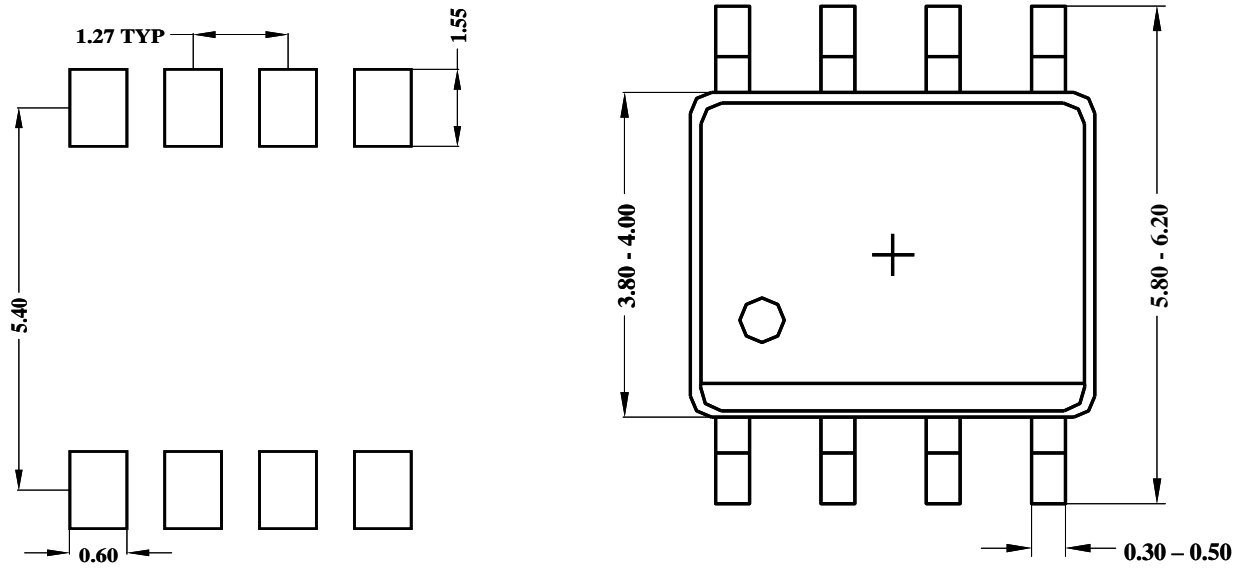
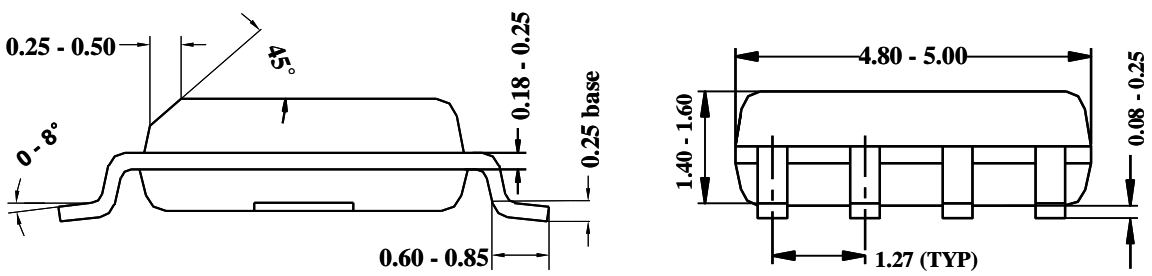


Fig3. Parallel circuit

SO8 Package Outline & PCB Layout Design



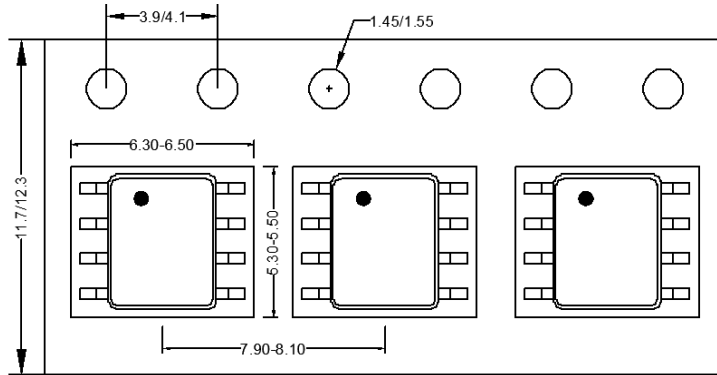
Recommended Pad Layout



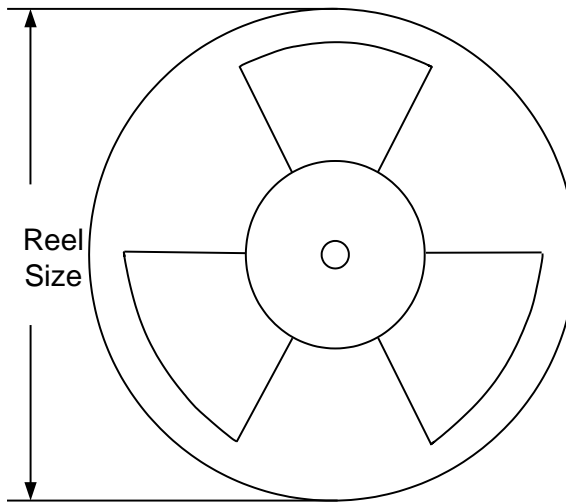
**Notes: All dimensions are in millimeters.
All dimensions don't include mold flash & metal burr.**

Taping & Reel Specification

1. Taping orientation for packages (SO8)



2. Carrier Tape & Reel specification for packages



| Package type | Tape width (mm) | Pocket pitch(mm) | Reel size (Inch) | Trailer length(mm) | Leader length (mm) | Qty per reel |
|--------------|-----------------|------------------|------------------|--------------------|--------------------|--------------|
| SO8 | 12 | 8 | 13" | 400 | 400 | 2500 |

IMPORTANT NOTICE

1. **Right to make changes.** Silergy and its subsidiaries (hereafter Silergy) reserve the right to change any information published in this document, including but not limited to circuitry, specification and/or product design, manufacturing or descriptions, at any time and without notice. This document supersedes and replaces all information supplied prior to the publication hereof. Buyers should obtain the latest relevant information before placing orders and should verify that such information is current and complete. All semiconductor products are sold subject to Silergy’s standard terms and conditions of sale.
2. **Applications.** Application examples that are described herein for any of these products are for illustrative purposes only. Silergy makes no representation or warranty that such applications will be suitable for the specified use without further testing or modification. Buyers are responsible for the design and operation of their applications and products using Silergy products. Silergy or its subsidiaries assume no liability for any application assistance or designs of customer products. It is customer’s sole responsibility to determine whether the Silergy product is suitable and fit for the customer’s applications and products planned. To minimize the risks associated with customer’s products and applications, customer should provide adequate design and operating safeguards. Customer represents and agrees that it has all the necessary expertise to create and implement safeguards which anticipate dangerous consequences of failures, monitor failures and their consequences, lessen the likelihood of failures that might cause harm and take appropriate remedial actions. Silergy assumes no liability related to any default, damage, costs or problem in the customer’s applications or products, or the application or use by customer’s third-party buyers. Customer will fully indemnify Silergy, its subsidiaries, and their representatives against any damages arising out of the use of any Silergy components in safety-critical applications. It is also buyers’ sole responsibility to warrant and guarantee that any intellectual property rights of a third party are not infringed upon when integrating Silergy products into any application. Silergy assumes no responsibility for any said applications or for any use of any circuitry other than circuitry entirely embodied in a Silergy product.
3. **Limited warranty and liability.** Information furnished by Silergy in this document is believed to be accurate and reliable. However, Silergy makes no representation or warranty, expressed or implied, as to the accuracy or completeness of such information and shall have no liability for the consequences of use of such information. In no event shall Silergy be liable for any indirect, incidental, punitive, special or consequential damages, including but not limited to lost profits, lost savings, business interruption, costs related to the removal or replacement of any products or rework charges, whether or not such damages are based on tort or negligence, warranty, breach of contract or any other legal theory. Notwithstanding any damages that customer might incur for any reason whatsoever, Silergy’ aggregate and cumulative liability towards customer for the products described herein shall be limited in accordance with the Standard Terms and Conditions of Sale of Silergy.
4. **Suitability for use.** Customer acknowledges and agrees that it is solely responsible for compliance with all legal, regulatory and safety-related requirements concerning its products, and any use of Silergy components in its applications, notwithstanding any applications-related information or support that may be provided by Silergy. Silergy products are not designed, authorized or warranted to be suitable for use in life support, life-critical or safety-critical systems or equipment, nor in applications where failure or malfunction of an Silergy product can reasonably be expected to result in personal injury, death or severe property or environmental damage. Silergy assumes no liability for inclusion and/or use of Silergy products in such equipment or applications and therefore such inclusion and/or use is at the customer’s own risk.
5. **Terms and conditions of commercial sale.** Silergy products are sold subject to the standard terms and conditions of commercial sale, as published at <http://www.silergy.com/stdterms>, unless otherwise agreed in a valid written individual agreement specifically agreed to in writing by an authorized officer of Silergy. In case an individual agreement is concluded only the terms and conditions of the respective agreement shall apply. Silergy hereby expressly objects to and denies the application of any customer’s general terms and conditions with regard to the purchase of Silergy products by the customer.
6. **No offer to sell or license.** Nothing in this document may be interpreted or construed as an offer to sell products that is open for acceptance or the grant, conveyance or implication of any license under any copyrights, patents or other industrial or intellectual property rights. Silergy makes no representation or warranty that any license, either express or implied, is granted under any patent right, copyright, mask work right, or other intellectual property right. Information published by Silergy regarding third-party products or services does not constitute a license to use such products or services or a warranty or endorsement thereof. Use of such information may require a license from a third party under the patents or other intellectual property of the third party, or a license from Silergy under the patents or other intellectual property of Silergy.

For more information, please visit: www.silergy.com

© 2018 Silergy Corp.

All Rights Reserved.