

General Description

SY22104 develops a step-up DC/DC converter that delivers an accurate constant current for driving LEDs. Operating at a fixed switching frequency of 1MHz allows the device to be used with small value external ceramic capacitors and inductor. The LED current is programmable through the external resistor. The device also supports PWM dimming for accurate LED current control.

SY22104 is ideal for driving up to eight white LEDs in series or up to 30V.

Ordering Information

SY22104 □ (□ □) □
 └─┬─┬─
 Temperature Code
 Package Code
 Optional Spec Code

Ordering Number	Package type	Note
SY22104DBC	DFN3X3-10	

Features

- Input voltage range: 2.8 to 30V
- Switch current limit: 4A
- Drives LED strings up to 30V
- 1MHz fixed frequency minimizes the external components
- 20kHz~1MHz wide dimming frequency range for EN/PWM pin
- Internal softstart limits the inrush current
- Open LED over voltage protection
- RoHS Compliant and Halogen Free
- Compact package: DFN3X3-10

Applications

- GPS Navigation Systems
- Handheld Devices
- Portable Media Players

Typical Applications

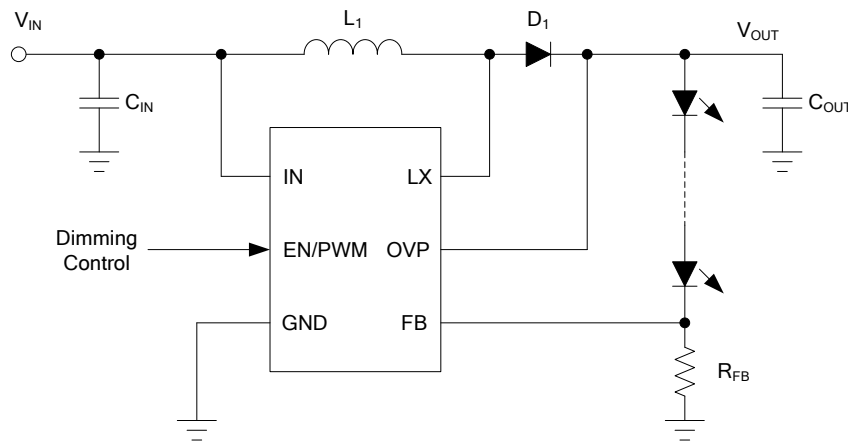
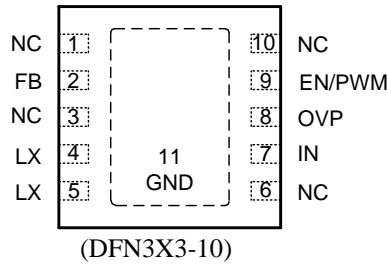


Figure 1. Schematic Diagram

Pinout (top view)



Top mark: **NZxyz** (Device code: NZ, *x*=year code, *y*=week code, *z*=lot number code)

Pin Name	DFN3X3-10	Pin Description
LX	4, 5	Inductor node. Connect an inductor from power input to LX pin.
GND	Exposed Paddle	Ground pin
FB	2	Feedback pin. Connect a resistor R_{FB} between FB and GND to program the output current: $I_{LED}=0.2V/R_{FB}$.
EN/PWM	9	Enable and dimming control. Pull high to turn on IC. The recommend dimming frequency range is 20kHz~1MHz.
OVP	8	Over voltage protection input. Connect to the output of circuit. The typical OVP value is 30V.
IN	7	Input pin. Decouple this pin to GND pin with 1uF ceramic cap.
NC	1, 3, 6, 10	No connection

Absolute Maximum Ratings

IN, EN/PWM	-----	32V
LX, OVP	-----	36V
All other pins	-----	4V
Power Dissipation, PD @ TA = 25°C, DFN3X3-10	-----	2.6 W
Package Thermal Resistance (Note 2)		
DFN3X3-10, θ_{JA}	-----	38°C/W
DFN3X3-10, θ_{JC}	-----	8°C/W
Junction Temperature Range	-----	125°C
Lead Temperature (Soldering, 10 sec.)	-----	260°C
Storage Temperature Range	-----	-65°C to 150°C

Recommended Operating Conditions

Input Voltage Supply	-----	2.8V to 30V
Junction Temperature Range	-----	-40°C to 125°C
Ambient Temperature Range	-----	-40°C to 85°C



Electrical Characteristics

(VIN = 3.6V, TA = 25°C, unless otherwise specified)

Parameter	Symbol	Conditions	Min	Typ	Max	Unit
Input Voltage Range	V _{IN}		2.8		30	V
Quiescent Current	I _Q	V _{FB} =0.3V		100	200	μA
Shutdown Current	I _{SHDN}	EN=0		10	15	μA
Feedback Reference Voltage	V _{REF}		196	200	204	mV
FB Input Current	I _{FB}	V _{FB} =0.3V			1	μA
Low Side Main FET RON	R _{DS(ON)1}			100		mΩ
Main FET Current Limit	I _{LIM1}		4			A
EN Rising Threshold	V _{ENH}		1.5			V
EN Falling Threshold	V _{ENL}				0.4	V
IN UVLO Rising Threshold	V _{IN,UVLO}				2.4	V
UVLO Hysteresis	U _{VLO,HYS}			0.2		V
Switching Frequency	F _{SW}		0.8	1	1.2	MHz
Minimum ON Time	T _{ON,MIN}			100		nS
Maximum Duty Cycle	D _{MAX}			90		%
OVP Threshold	V _{OVF}	Open LED		30		V
Thermal Shutdown Temperature	T _{SD}			150		°C
Thermal Hysteresis	T _{HYS}			20		°C

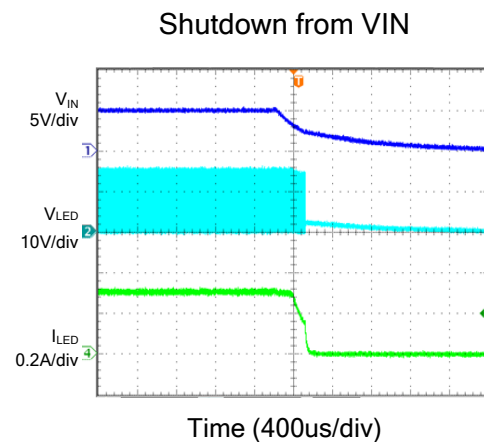
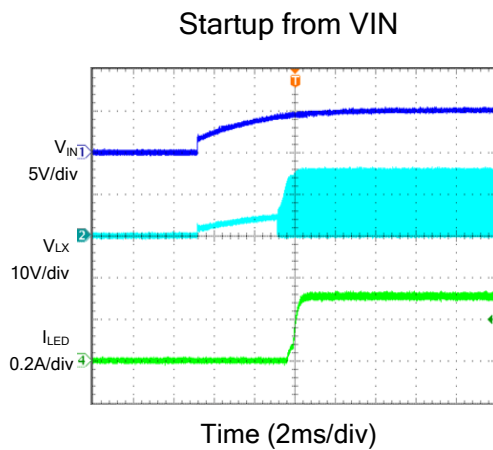
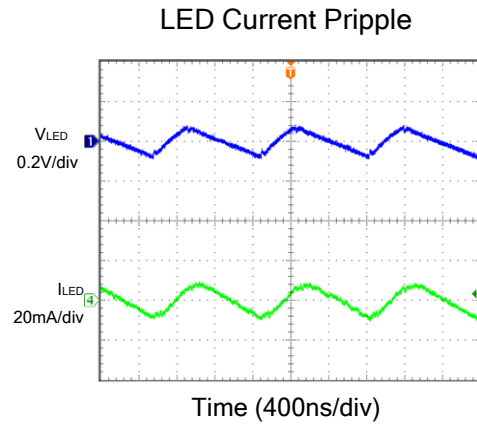
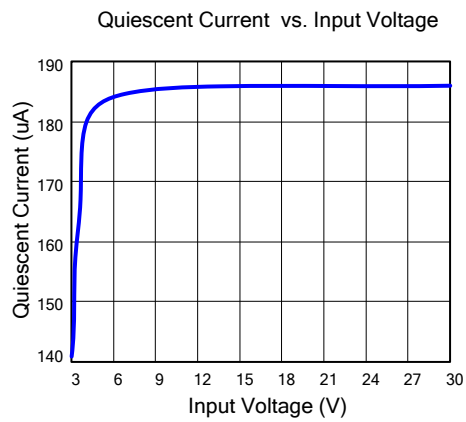
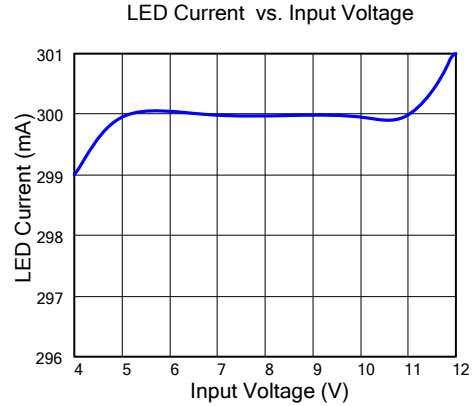
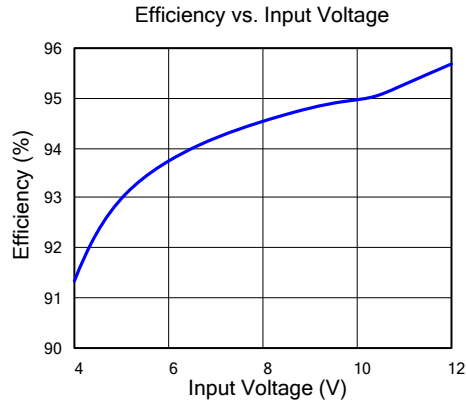
Note 1: Stresses beyond the “Absolute Maximum Ratings” may cause permanent damage to the device. These are stress ratings only. Functional operation of the device at these or any other conditions beyond those indicated in the operational sections of the specification is not implied. Exposure to absolute maximum rating conditions for extended periods may affect device reliability.

Note 2: Test condition: Device mounted on 2” x 2” FR-4 substrate PCB, 2oz copper, with minimum recommended pad on top layer and thermal vias to bottom layer ground plane.

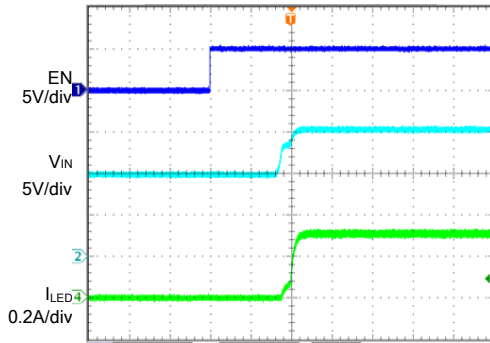
Note 3: The device is not guaranteed to function outside its operating conditions.

Typical Performance Characteristics

($V_{IN}=5V$, $I_{LED}=0.3A$, 5PCS LED Series)

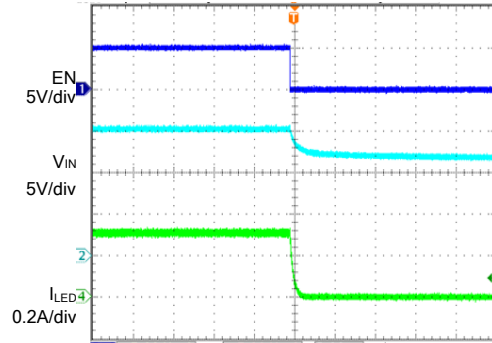


Starup from Enable



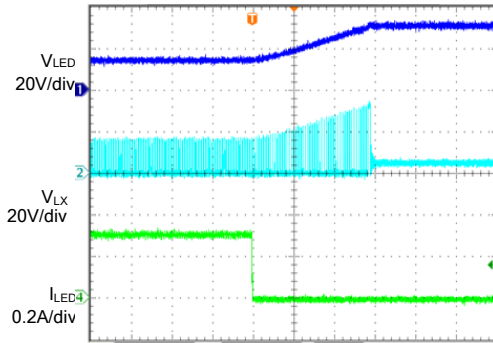
Time (2ms/div)

Shutdown from Enable



Time (2ms/div)

“Open LED”Protection



Time (20us/div)

Applications Information

Because of the high integration in the IC, the is simple. Only input capacitor C_{IN} , output capacitor C_{OUT} , inductor L , Schottky diode D and sense resistors $R1$ need to be selected for the targeted applications specifications.

Sense resistor R1 :

Choose $R1$ to program the proper LED Current. The $R1$ can be calculated to be:

$$R1 = \frac{0.2}{I_{LED}}$$

I_{LED} is the average LED current.

Input capacitor C_{IN} :

The ripple current through input capacitor is calculated as:

$$I_{CIN_RMS} = \frac{V_{IN} \cdot (V_{OUT} - V_{IN})}{2\sqrt{3} \cdot L \cdot F_{SW} \cdot V_{OUT}}$$

An X5R or better grade ceramic capacitor with capacitance larger than 4.7uF is recommended to handle this ripple current. Place this ceramic capacitor really close to the IN and GND pins to minimize the potential noise problem. Care should be taken to minimize the loop area formed by C_{IN} , and IN/GND pins.

Output capacitor C_{OUT} :

The output capacitor is selected to handle the output ripple noise requirements. This ripple voltage is related to the capacitor's capacitance and its equivalent series resistance (ESR). For the best performance, it is recommended to use X5R or better grade low ESR ceramic capacitor. The voltage rating of the output capacitor should be higher than the maximum output voltage. The minimum required capacitance can be calculated as:

$$C_{OUT} = \frac{I_{OUT,MAX} \cdot (V_{OUT} - V_{IN})}{F_{SW} \cdot V_{OUT} \cdot V_{RIPPLE}}$$

V_{RIPPLE} is the peak to peak output ripple.

For LED applications, the equivalent resistance of the LED is typically low. The output capacitance should be large enough to attenuate the ripple current through LED. A capacitor larger than 2.2uF is recommended.

Inductor L:

There are several considerations in choosing this inductor.

- 1) Choose the inductance to provide the desired ripple current. It is suggested to choose the ripple current to be about 40% of the average input current. The inductance is calculated as:

$$L = \left(\frac{V_{IN}}{V_{OUT}} \right)^2 \frac{(V_{OUT} - V_{IN})}{F_{SW} \times I_{OUT,MAX} \times 40\%}$$

where F_{SW} is the switching frequency and $I_{OUT,MAX}$ is the maximum load current.

The SY22104 regulator IC is quite tolerant of different ripple current amplitude. Consequently, the final choice of inductance can be slightly off the calculation value without significantly impacting the performance.

- 2) The saturation current rating of the inductor must be selected to be greater than the peak inductor current under full load conditions.

$$I_{SAT,MIN} > \left(\frac{V_{OUT}}{V_{IN}} \right) \times I_{OUT,MAX} + \left(\frac{V_{IN}}{V_{OUT}} \right) \times \frac{(V_{OUT} - V_{IN})}{2 \times F_{SW} \times L}$$

- 3) The DCR of the inductor and the core loss at the switching frequency must be low enough to achieve the desired efficiency requirement. It is desirable to choose an inductor with $DCR < 50\text{mohm}$ to achieve a good overall efficiency.

Schottky Diode D:

Because of high switching speed of SY22104, a Schottky diode with low forward voltage drop and fast switching speed is desirable for the application. The voltage rating of the diode must be higher than maximum output voltage. The diode's average and peak current rating should exceed the average output current and peak inductor current.

Dimming Control

SY22104 offers several different dimming schemes for LED brightness control. One way is to apply a PWM signal to the EN/PWM pin. Fig.2 shows the internal block diagram of the dimming circuit of SY22104. The PWM signal changes the regulation voltage by change the duty cycle. The relationship between the duty cycle and FB voltage is calculated as:

$$V_{FB} = \text{Duty} \times 200\text{mV}$$

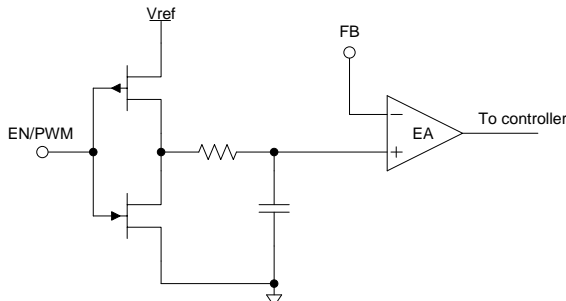


Figure 2

Since the cut-off frequency of the internal low pass filter is near 5kHz, it is recommended selecting the PWM signal frequency to be higher than 20kHz.

Another way is to use a DC voltage as shown in Fig.3. The LED current decreases as the DC voltage rises. The relationship between LED current and DC voltage is:

$$I_{LED} = \frac{V_{REF} \times (R_1 + R_2) - V_{DC} \times R_1}{R_2 \times R_{FB}}$$

Where V_{REF} is the 200mV internal reference voltage, V_{DC} is the dimming DC voltage.

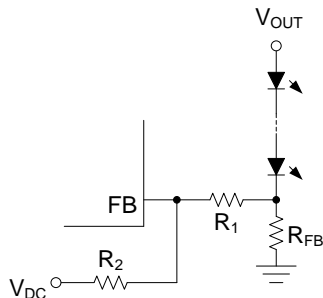


Figure 3

A filtered PWM signal can be used to substituted the DC input as shown in Fig.4. To better filter out the AC components of the PWM signal, it is recommend choosing the same value for R_2 and R_3 and the cut-off frequency of the low pass filter (formed by R_2/R_3 and C_1) to be well below the dimming signal frequency. The LED current decreases as the duty cycle increases. The LED current can be calculated using equation below:

$$I_{LED} = \frac{V_{REF} \times (R_1 + R_2 + R_3) - V_{PWM} \times Duty \times R_1}{(R_2 + R_3) \times R_{FB}}$$

Where V_{REF} is the 200mV internal reference voltage, V_{PWM} is the high voltage level of PWM signal, Duty is the duty cycle of PWM signal.

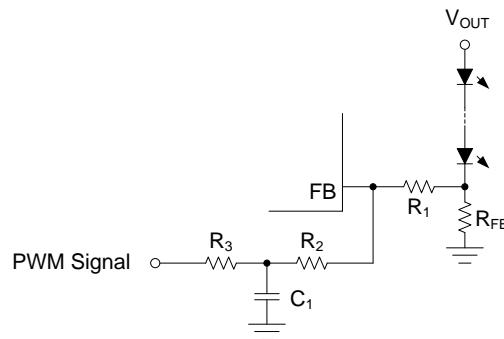
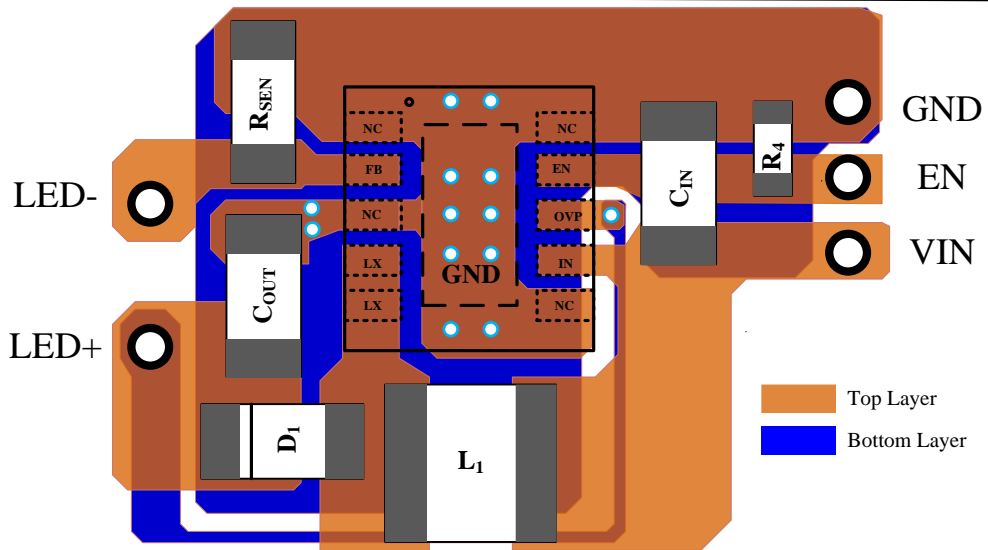


Figure 4

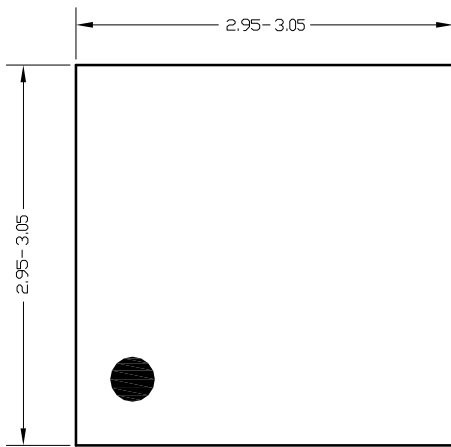
Layout Design:

The layout design of SY22104 regulator is relatively simple. For the best efficiency and minimum noise problems, we should place the following components close to the IC: C_{IN} , C_{OUT} , L, R1 and D.

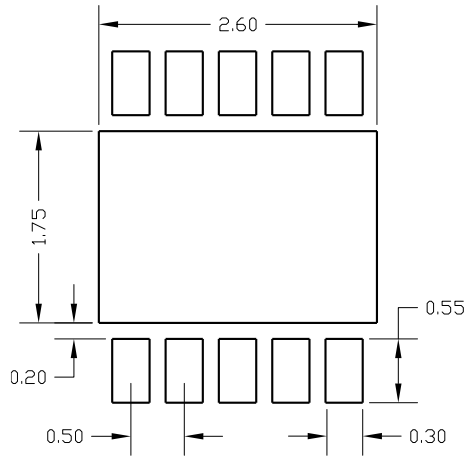
- 1) It is desirable to maximize the PCB copper area connecting to GND pin to achieve the best thermal and noise performance. If the board space allowed, a ground plane is highly desirable.
- 2) C_{IN} must be close to Pins IN and GND. The loop area formed by C_{IN} and GND must be minimized.
- 3) Minimize the loop area of LX, D, C_{OUT} and GND.
- 4) The PCB copper area associated with LX pin must be minimized to avoid the potential noise problem.
- 5) The components R1, the trace connecting to the FB pin must NOT be adjacent to the LX net on the PCB layout to avoid the noise problem.
- 6) If the system chip interfacing with the EN pin has a high impedance state at shutdown mode and the IN pin is connected directly to a power source such as a Li-Ion battery, it is desirable to add a pull down 1Mohm resistor between the EN and GND pins to prevent the noise from falsely turning on the regulator at shutdown mode.



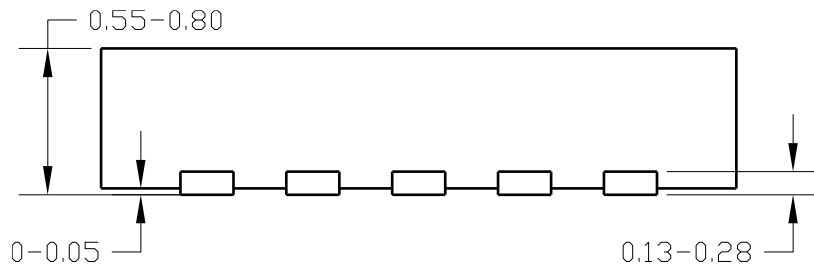
DFN3x3-10 Package outline



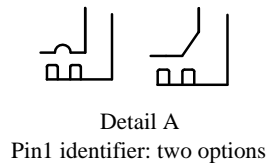
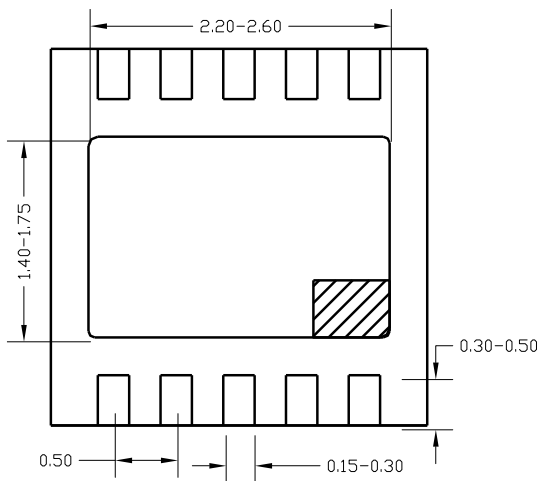
Top View



PCB layout (recommended)



Side View

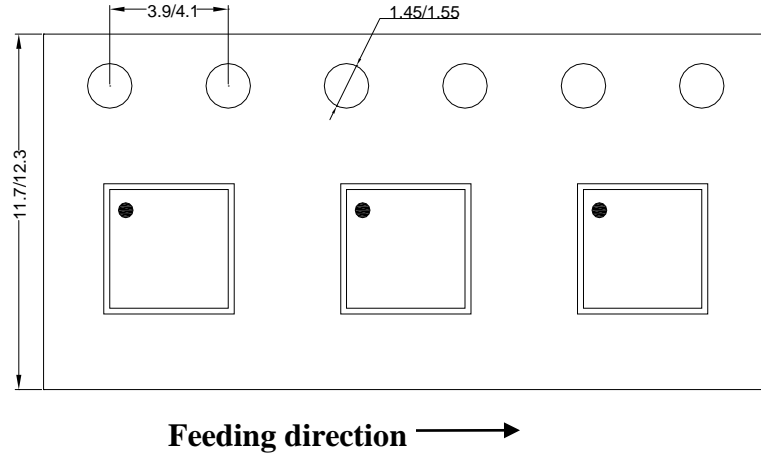


Bottom View

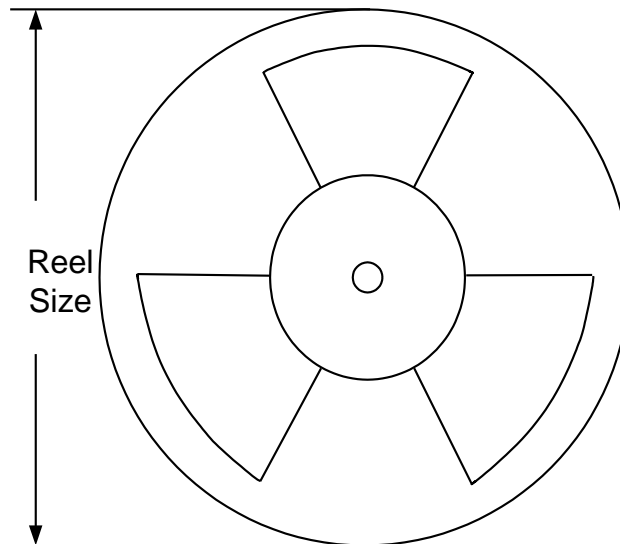
Notes: All dimensions are in millimeters and exclude mold flash & metal burr.

Taping & Reel Specification

1. DFN3x3-10 taping orientation



2. Carrier Tape & Reel specification for packages



Package types	Tape width (mm)	Pocket pitch(mm)	Reel size (Inch)	Trailer length(mm)	Leader length (mm)	Qty per reel
DFN3x3-10	10	8	13"	400	400	5000

3. Others: NA



IMPORTANT NOTICE

- 1. Right to make changes.** Silergy and its subsidiaries (hereafter Silergy) reserve the right to change any information published in this document, including but not limited to circuitry, specification and/or product design, manufacturing or descriptions, at any time and without notice. This document supersedes and replaces all information supplied prior to the publication hereof. Buyers should obtain the latest relevant information before placing orders and should verify that such information is current and complete. All semiconductor products are sold subject to Silergy's standard terms and conditions of sale.
- 2. Applications.** Application examples that are described herein for any of these products are for illustrative purposes only. Silergy makes no representation or warranty that such applications will be suitable for the specified use without further testing or modification. Buyers are responsible for the design and operation of their applications and products using Silergy products. Silergy or its subsidiaries assume no liability for any application assistance or designs of customer products. It is customer's sole responsibility to determine whether the Silergy product is suitable and fit for the customer's applications and products planned. To minimize the risks associated with customer's products and applications, customer should provide adequate design and operating safeguards. Customer represents and agrees that it has all the necessary expertise to create and implement safeguards which anticipate dangerous consequences of failures, monitor failures and their consequences, lessen the likelihood of failures that might cause harm and take appropriate remedial actions. Silergy assumes no liability related to any default, damage, costs or problem in the customer's applications or products, or the application or use by customer's third-party buyers. Customer will fully indemnify Silergy, its subsidiaries, and their representatives against any damages arising out of the use of any Silergy components in safety-critical applications. It is also buyers' sole responsibility to warrant and guarantee that any intellectual property rights of a third party are not infringed upon when integrating Silergy products into any application. Silergy assumes no responsibility for any said applications or for any use of any circuitry other than circuitry entirely embodied in a Silergy product.
- 3. Limited warranty and liability.** Information furnished by Silergy in this document is believed to be accurate and reliable. However, Silergy makes no representation or warranty, expressed or implied, as to the accuracy or completeness of such information and shall have no liability for the consequences of use of such information. In no event shall Silergy be liable for any indirect, incidental, punitive, special or consequential damages, including but not limited to lost profits, lost savings, business interruption, costs related to the removal or replacement of any products or rework charges, whether or not such damages are based on tort or negligence, warranty, breach of contract or any other legal theory. Notwithstanding any damages that customer might incur for any reason whatsoever, Silergy' aggregate and cumulative liability towards customer for the products described herein shall be limited in accordance with the Standard Terms and Conditions of Sale of Silergy.
- 4. Suitability for use.** Customer acknowledges and agrees that it is solely responsible for compliance with all legal, regulatory and safety-related requirements concerning its products, and any use of Silergy components in its applications, notwithstanding any applications-related information or support that may be provided by Silergy. Silergy products are not designed, authorized or warranted to be suitable for use in life support, life-critical or safety-critical systems or equipment, nor in applications where failure or malfunction of an Silergy product can reasonably be expected to result in personal injury, death or severe property or environmental damage. Silergy assumes no liability for inclusion and/or use of Silergy products in such equipment or applications and therefore such inclusion and/or use is at the customer's own risk.
- 5. Terms and conditions of commercial sale.** Silergy products are sold subject to the standard terms and conditions of commercial sale, as published at <http://www.silergy.com/stdterms>, unless otherwise agreed in a valid written individual agreement specifically agreed to in writing by an authorized officer of Silergy. In case an individual agreement is concluded only the terms and conditions of the respective agreement shall apply. Silergy hereby expressly objects to and denies the application of any customer's general terms and conditions with regard to the purchase of Silergy products by the customer.
- 6. No offer to sell or license.** Nothing in this document may be interpreted or construed as an offer to sell products that is open for acceptance or the grant, conveyance or implication of any license under any copyrights, patents or other industrial or intellectual property rights. Silergy makes no representation or warranty that any license, either express or implied, is granted under any patent right, copyright, mask work right, or other intellectual property right. Information published by Silergy regarding third-party products or services does not constitute a license to use such products or services or a warranty or endorsement thereof. Use of such information may require a license from a third party under the patents or other intellectual property of the third party, or a license from Silergy under the patents or other intellectual property of Silergy.

For more information, please visit: www.silergy.com

© 2018 Silergy Corp.

All Rights Reserved.