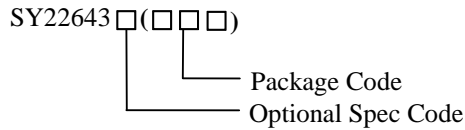


General Description

The SY22643Q is a linear AC/DC driver with integrated 350V MOSFET for LED lighting. It's compatible with Leading/Trailing edge dimmer. The patented technique results in high efficiency and power factor.

Ordering Information



Ordering Number	Package type	Note
SY22643QFCP	SO8E	----

Features

- Compatible with Leading/Trailing Edge Dimmer
- Integrated 350V MOSFET
- Power Factor >0.9
- Good regulation($\lt; \pm 3\%$)
- SMT Assembly
- Eliminate Magnetic Components
- Compact Package: SO8E

Applications

- LED Lighting
- Down Light/Bulb/Spot Lamp

Typical Applications

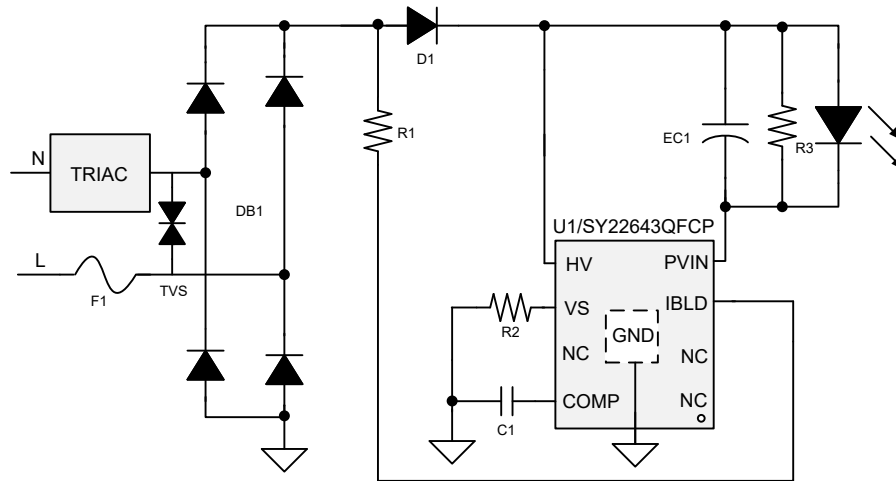
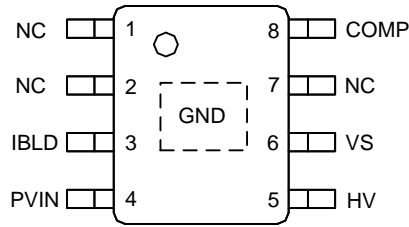


Fig1. Typical application

Pinout (top view)



(SO8E)

Top Mark: DRRxyz (device code: DRR, *x*=year code, *y*=week code, *z*=lot number code)

Pin	Name	Description
1,2,7	NC	No connect
3	IBLD	Bleeding current from BUS to achieve good compatibility.
4	PVIN	Drain of integrated power MOSFET.
5	HV	IC power supply.
6	VS	Source of integrated power MOSFET integrate, sense output current.
8	COMP	Loop compensation Pin.
Bottom	GND	GND of IC.

Block Diagram

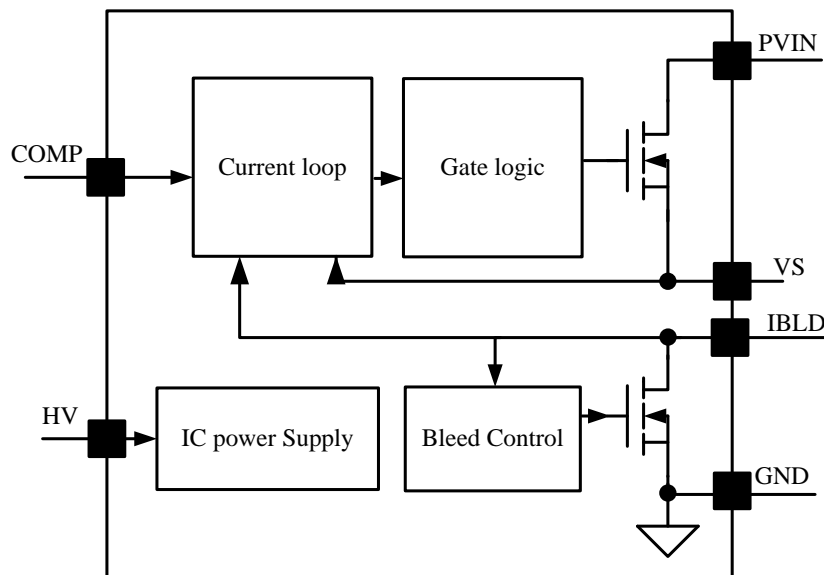


Fig2. IC block diagram

Absolute Maximum Ratings (Note 1)

PVIN-----	-0.3V to 350V
IBLD, HV-----	-0.3V to 500V
VS, COMP-----	-0.3V to 3.6V
Power Dissipation, @ T _A = 25°C SO8E-----	3.3W
Package Thermal Resistance (Note 2)	
SO8E,θ _{JA} -----	30°C/W
SO8E,θ _{JC} -----	10°C/W
Temperature Range -----	-40°C to 150°C
Lead Temperature (Soldering, 10 sec.) -----	260°C
Storage Temperature Range -----	-40°C to 150°C

Electrical Characteristics

(HV= 15V (Note 3), T_A = 25°C unless otherwise specified)

Parameter	Symbol	Test Conditions	Min	Typ	Max	Unit
Power Supply Section						
HV Turn-on Threshold	HV_ON		9.3	11	12.7	V
HV Turn-off Threshold	HV_OFF		5.8	7.5	9.2	V
BV of HV MOSFET	BV_HV		500			V
Quiescent Current	I _Q			140		μA
Inter REF Section						
Inter current reference	V _{REF}		96	100	104	mV
Power MOSFET Section						
BV of Integrated PVIN MOSFET	V _{PVIN}		350			V
BV of Integrated IBLD MOSFET	V _{IBLD}		500			
Thermal Section						
Thermal Fold Back Temperature	T _{FB}			122		°C

Note 1: Stresses beyond the “Absolute Maximum Ratings” may cause permanent damage to the device. These are stress ratings only. Functional operation of the device at these or any other conditions beyond those indicated in the operational sections of the specification is not implied. Exposure to absolute maximum rating conditions for extended periods may affect device reliability.

Note 2: θ_{JA} is measured in the natural convection at T_A = 25°C on a low effective single layer thermal conductivity test board of JEDEC 51-3 thermal measurement standard. Test condition: Device mounted on 2” x 2” FR-4 substrate PCB, 2oz copper, with minimum recommended pad on top layer and thermal vias to bottom layer ground plane.

Note 3: Increase HV pin voltage gradually higher than HV_ON voltage then turn to 25V.

Operation

The SY22643Q is a dimmable linear AC/DC driver with integrated 350V MOSFET for LED lighting.

It's compatible with Leading/Trailing edge dimmer.

With the constant current control, SY22643Q can achieve good line regulation and load regulation.

The patented technique leads to high power efficiency and PF (>0.9).

SY22643Q provides reliable protections such as over temperature protection (Thermal fold-back), etc.

SY22643Q is available with SO8E package.

Applications Information

Start Up and IC Power Supply

After AC supply is powered on, IC is charged up by BUS voltage. Once HV reaches HV_ON, IC starts to work, BUS voltage and C_{OUT} voltage will supply the power IC need.

The startup and power supply procedure is shown in Fig.3.

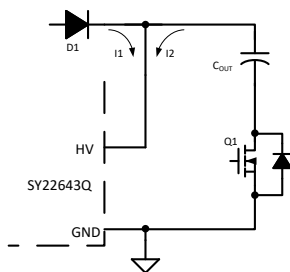


Fig.3 Start up

Shut Down

After AC supply is powered off, the energy stored in the output capacitor will be discharged. When HV is below HV_OFF, the IC will stop working.

Constant-Current Control

The output current I_{OUT} can be represented by

$$I_{OUT} = \frac{V_{REF}}{R_S}$$

Where V_{REF} is the internal reference voltage; R_S is the current sense resistor.

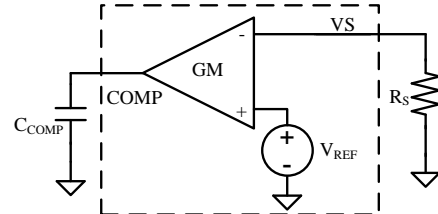


Fig.4 Closed loop

Output capacitor C_{COMP} need to be big enough to keep average output current is equal to V_{REF}.

Special Design for Current Compensation

To have a better efficiency, special design is integrated in SY22643Q.

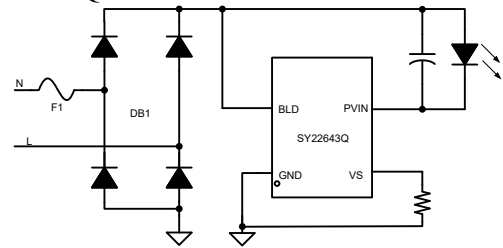


Fig.5 The patented technology of compensation

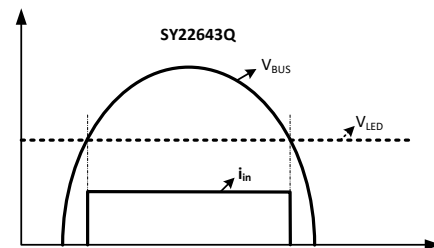


Fig.6 Shape of Input current for high PF

Input current of SY22643Q is constant when V_{BUS} higher than V_{LED}, set V_{LED} about 115V, it is just right for the requirement PF>0.9.



TRIAC Dimming

5: C1 selection:

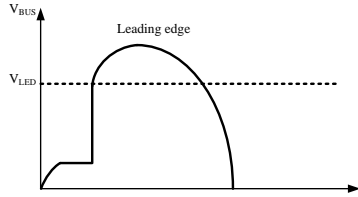


Fig.7 BUS voltage with TRIAC

Consider of PF and loop response speed, usually, C_{COMP} is suggested 68~100nF.

When cooperate with dimmer, IC will provide enough latching current and holding to keep dimmer working normally.

Thermal Fold-back Function

SY22643Q have thermal fold-back function.

Design Guide:

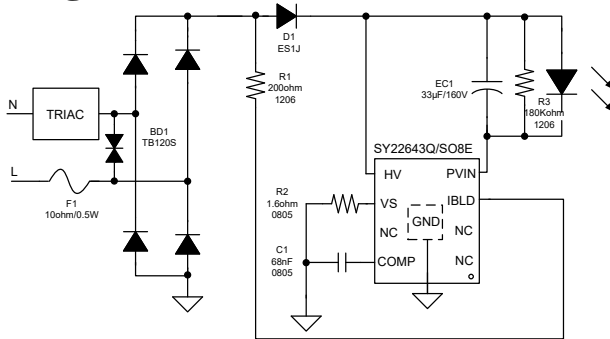


Fig.8 Schematic

1: F1 selection:

4.7ohm to 22ohm is recommended for F1, usually, the smaller F1 is, the better line regulation is

2: D1 selection:

Super-fast recovery diode like ES1J is suggested for D1, it will effectively prevent negative current flow from PVIN.

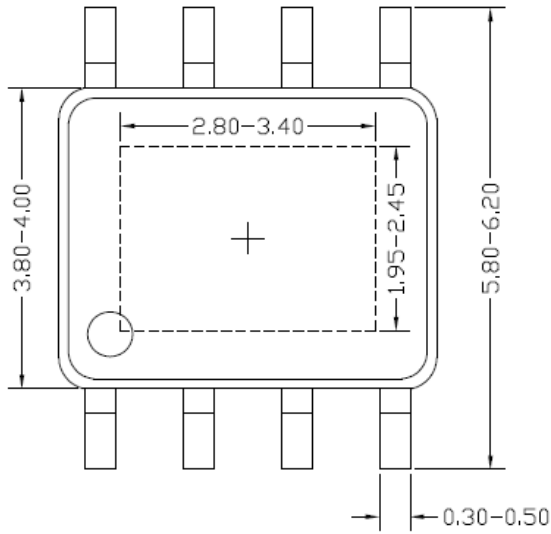
3: R1 selection:

R1 is used for current limit on IBLD, usually, 200ohm is recommended.

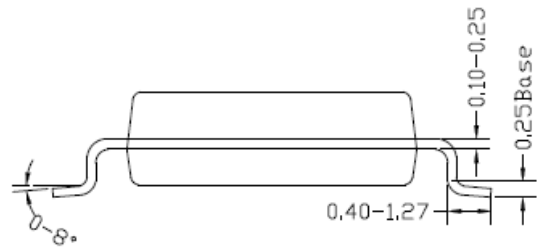
4: R2 selection:

R2 is used to sense output current. Inter Ref is 100mV, R2=100mV/I_o.

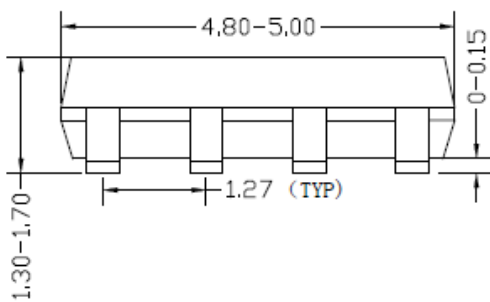
SO8E Package Outline & PCB layout



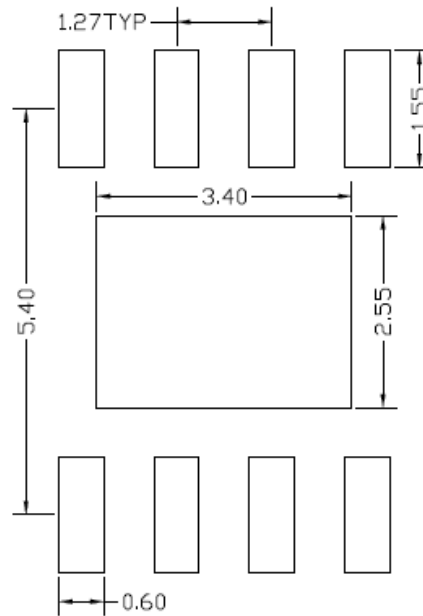
Top view



Side view



Front view



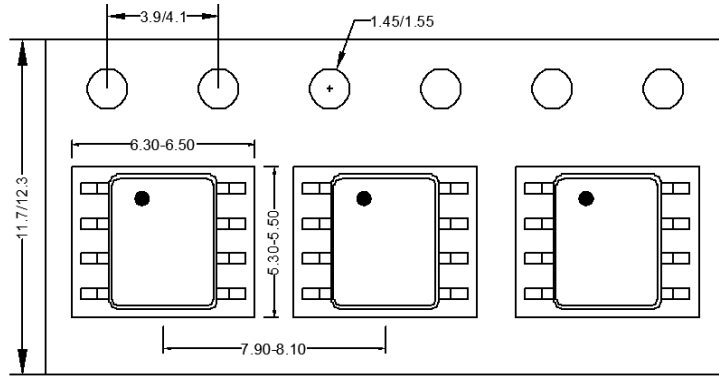
Recommended PCB Layout
(Reference Only)

Notes: All dimension in millimeter and exclude mold flash & metal burr.

Taping & Reel Specification

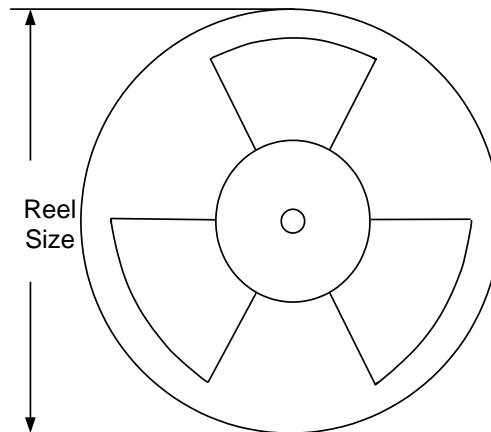
1. Taping orientation

SO8E



Feeding direction →

2. Carrier Tape & Reel specification for packages



Package types	Tape width (mm)	Pocket pitch(mm)	Reel size (Inch)	Trailer * length(mm)	Leader * length (mm)	Qty per reel (pcs)
SO8E	12	8	13"	400	400	2500

Others: NA



Revision History

The revision history provided is for informational purpose only and is believed to be accurate, however, not warranted. Please make sure that you have the latest revision.

Date	Revision	Change
December 4, 2020	Revision 0.9	Initial Release



IMPORTANT NOTICE

1. **Right to make changes.** Silergy and its subsidiaries (hereafter Silergy) reserve the right to change any information published in this document, including but not limited to circuitry, specification and/or product design, manufacturing or descriptions, at any time and without notice. This document supersedes and replaces all information supplied prior to the publication hereof. Buyers should obtain the latest relevant information before placing orders and should verify that such information is current and complete. All semiconductor products are sold subject to Silergy's standard terms and conditions of sale.
2. **Applications.** Application examples that are described herein for any of these products are for illustrative purposes only. Silergy makes no representation or warranty that such applications will be suitable for the specified use without further testing or modification. Buyers are responsible for the design and operation of their applications and products using Silergy products. Silergy or its subsidiaries assume no liability for any application assistance or designs of customer products. It is customer's sole responsibility to determine whether the Silergy product is suitable and fit for the customer's applications and products planned. To minimize the risks associated with customer's products and applications, customer should provide adequate design and operating safeguards. Customer represents and agrees that it has all the necessary expertise to create and implement safeguards which anticipate dangerous consequences of failures, monitor failures and their consequences, lessen the likelihood of failures that might cause harm and take appropriate remedial actions. Silergy assumes no liability related to any default, damage, costs or problem in the customer's applications or products, or the application or use by customer's third-party buyers. Customer will fully indemnify Silergy, its subsidiaries, and their representatives against any damages arising out of the use of any Silergy components in safety-critical applications. It is also buyers' sole responsibility to warrant and guarantee that any intellectual property rights of a third party are not infringed upon when integrating Silergy products into any application. Silergy assumes no responsibility for any said applications or for any use of any circuitry other than circuitry entirely embodied in a Silergy product.
3. **Limited warranty and liability.** Information furnished by Silergy in this document is believed to be accurate and reliable. However, Silergy makes no representation or warranty, expressed or implied, as to the accuracy or completeness of such information and shall have no liability for the consequences of use of such information. In no event shall Silergy be liable for any indirect, incidental, punitive, special or consequential damages, including but not limited to lost profits, lost savings, business interruption, costs related to the removal or replacement of any products or rework charges, whether or not such damages are based on tort or negligence, warranty, breach of contract or any other legal theory. Notwithstanding any damages that customer might incur for any reason whatsoever, Silergy' aggregate and cumulative liability towards customer for the products described herein shall be limited in accordance with the Standard Terms and Conditions of Sale of Silergy.
4. **Suitability for use.** Customer acknowledges and agrees that it is solely responsible for compliance with all legal, regulatory and safety-related requirements concerning its products, and any use of Silergy components in its applications, notwithstanding any applications-related information or support that may be provided by Silergy. Silergy products are not designed, authorized or warranted to be suitable for use in life support, life-critical or safety-critical systems or equipment, nor in applications where failure or malfunction of an Silergy product can reasonably be expected to result in personal injury, death or severe property or environmental damage. Silergy assumes no liability for inclusion and/or use of Silergy products in such equipment or applications and therefore such inclusion and/or use is at the customer's own risk.
5. **Terms and conditions of commercial sale.** Silergy products are sold subject to the standard terms and conditions of commercial sale, as published at <http://www.silergy.com/stdterms>, unless otherwise agreed in a valid written individual agreement specifically agreed to in writing by an authorized officer of Silergy. In case an individual agreement is concluded only the terms and conditions of the respective agreement shall apply. Silergy hereby expressly objects to and denies the application of any customer's general terms and conditions with regard to the purchase of Silergy products by the customer.
6. **No offer to sell or license.** Nothing in this document may be interpreted or construed as an offer to sell products that is open for acceptance or the grant, conveyance or implication of any license under any copyrights, patents or other industrial or intellectual property rights. Silergy makes no representation or warranty that any license, either express or implied, is granted under any patent right, copyright, mask work right, or other intellectual property right. Information published by Silergy regarding third-party products or services does not constitute a license to use such products or services or a warranty or endorsement thereof. Use of such information may require a license from a third party under the patents or other intellectual property of the third party, or a license from Silergy under the patents or other intellectual property of Silergy.

For more information, please visit: www.silergy.com

© 2020 Silergy Corp.

All Rights Reserved.