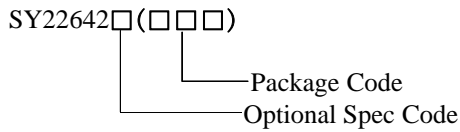


## General Description

SY22642C1 is a linear LED driver for HV TRIAC with integrated 500V power MOSFET and 700V bleeder MOSFET. It uses special technology to achieve high PF and efficiency performance. Special logic functions are added to achieve good compatibility with TRIAC dimmer.

## Ordering Information



Ordering Number	Package type	Note
SY22642C1FCP	SO8E	----

## Features

- Compatible with HV TRIAC Dimmer
- Integrated: 500V Main MOS and 700V Bleeder MOS
- Latching Current is Adjustable
- Special Low Power Loss Control
- High PF: PF>0.7
- No Magnetic Components and Support All Components Surface Mounted
- Compatible with Brazil 60Hz
- RoHS Compliant and Halogen Free
- Compact Package: SO8E

## Applications

- LED Lighting

Part Number	Minimum output current
SY22642C1	>5mA

## Typical Applications

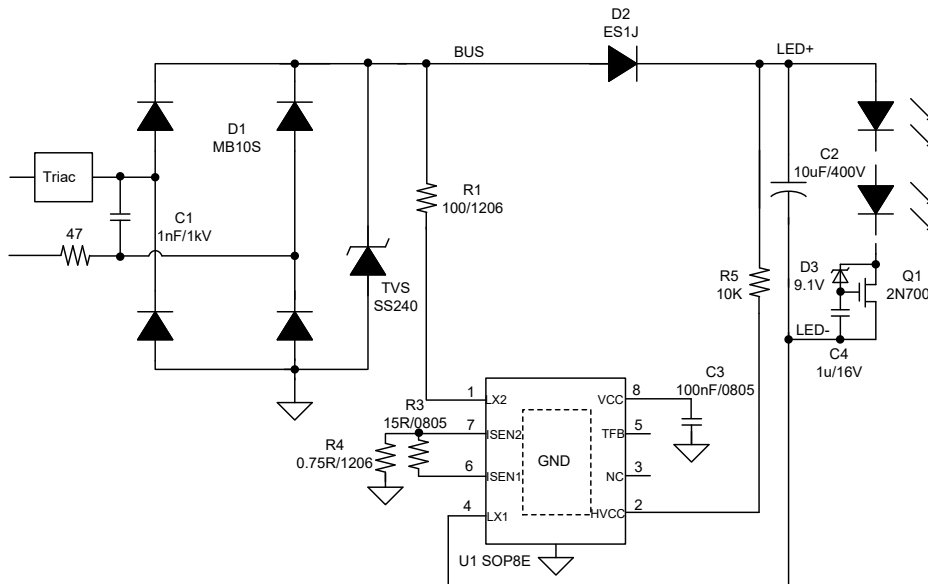
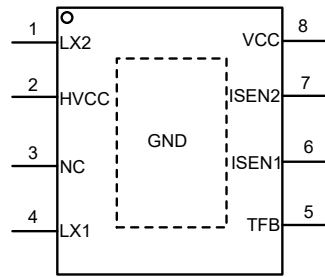


Figure.1 Typical application

## Pinout (top view)



(S08E)

**Top Mark:** EGTxyz (device code: EGT, x=year code, y=week code, z=lot number code)

Pin Name	Pin number	Pin Description
LX2	1	Drain of Bleeding MOS pin.
HVCC	2	HV power supply pin.
NC	3	No connect.
LX1	4	Drain of Main MOS pin.
TFB	5	Thermal fold back setting pin.
ISEN1	6	Main MOS Current Sense Pin. The output current is decided by $I_{OUT} = \frac{V_{REF}}{R_{ISEN1} + R_{ISEN2}}$
ISEN2	7	BLD MOS Current Sense Pin. Latching current is adjusted by $R_{ISEN2}$ . Recommended value: $R_{ISEN2} > 0.7$ ohm.
VCC	8	Power supply pin.
GND	9	Ground.

## Block Diagram

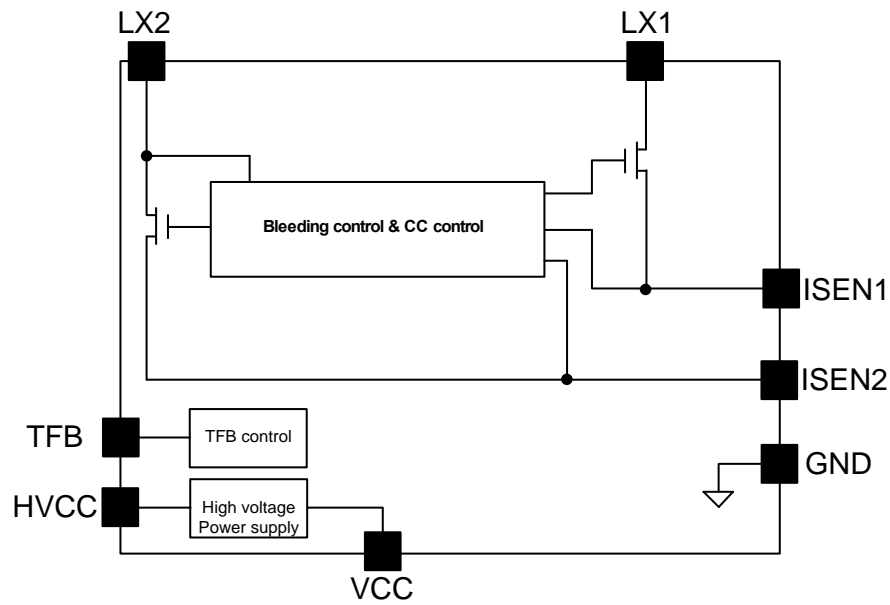


Fig.3 Block Diagram

## Absolute Maximum Ratings (Note 1)

LX2, HVCC	-0.3V~700V
LX1	-0.3V~500V
TFB, ISEN1, ISEN2	-0.3V~3.6V
VCC	-0.3~ 22V
Power Dissipation, @ T <sub>A</sub> = 25°C SO8E	3.3W
Package Thermal Resistance (Note 2)	
SO8E, $\theta_{JA}$	30°C/W
SO8E, $\theta_{JC}$	10°C/W
Junction Temperature Range	-40°C to 150°C
Lead Temperature (Soldering, 10 sec.)	260°C
Storage Temperature Range	-65°C to 150°C

## Recommended Operating Conditions (Note 3)

Junction Temperature Range	-40°C to 150°C
Ambient Temperature Range	-40°C to 120°C

## Electrical Characteristics

(V<sub>IN</sub> = 15V (Note 3), T<sub>A</sub> = 25°C unless otherwise specified)

Parameter	Symbol	Test Conditions	Min	Typ	Max	Unit
<b>Power Supply Section</b>						
VIN Turn-on Threshold	V <sub>VIN_ON</sub>		11	12.1	13.2	V
VIN Turn-off Threshold	V <sub>VIN_OFF</sub>		7.8	8.8	9.8	V
Quiescent Current	I <sub>Q</sub>		210	280	350	μA
<b>Error Amplifier Section</b>						
Internal Reference Voltage	V <sub>REF</sub>		0.291	0.3	0.309	V
<b>MOS Section</b>						
Clamped Current of LX1 MOS	I <sub>CLP</sub>			9		mA
BV of LX1 MOS	V <sub>BV_LX1</sub>		500			V
BV of LX2 MOS	V <sub>BV_LX2</sub>		700			V
<b>Thermal Section</b>						
Minimum Thermal Foldback Temperature	T <sub>FB1</sub>			115		°C
Maximum Thermal Foldback Temperature	T <sub>FB2</sub>			155		°C

**Note 1:** Stresses beyond the “Absolute Maximum Ratings” may cause permanent damage to the device. These are stress ratings only. Functional operation of the device at these or any other conditions beyond those indicated in the operational sections of the specification is not implied. Exposure to absolute maximum rating conditions for extended periods may affect device reliability.

**Note 2:**  $\theta_{JA}$  is measured in the natural convection at T<sub>A</sub> = 25°C on a low effective single layer thermal conductivity test board of JEDEC 51-3 thermal measurement standard. Test condition: Device mounted on 2” x 2” FR-4 substrate PCB, 2oz copper, with minimum recommended pad on top layer and thermal vias to bottom layer ground plane.

**Note 3:** Increase VIN pin voltage gradually higher than V<sub>VIN\_ON</sub> voltage then turn down to 12V.

## Operation

SY22642C1 is a HV TRIAC Linear Controller. It recognizes ac mode, leading edge mode, trailing edge mode automatically in first sixteen ac cycles.

For improving the efficiency, the current of LX1 is compensated by VBUS. In the peak voltage of VBUS, the current of LX1 is the smallest, and then the loss is decreased.

In leading edge mode, SY22642C1 controls the fire current automatically which is the Silergy exclusive patent.

For trailing edge dimmer, SY22642C1 has a good performance by Reliable reset control.

TFB is available to be set for different application.

PF is higher than 0.7 suitable for European market.

## Applications Information

### AC Mode

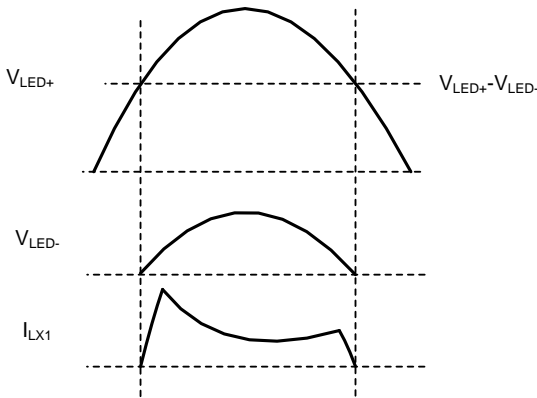


Fig.4 state in ac mode

In ac mode, the wave is showed above. The current of LX1 is compensated by VBUS for good efficiency performance.

In any kinds of mode, the output current is regulated by ISEN1 and ISEN2.

$$I_{OUT} = \frac{V_{REF}}{R_{ISEN1} + R_{ISEN2}}$$

### Trailing Edge Mode

In trailing edge mode, SY22642C1 tries to reset the dimmer when the current of LX1 MOS is off. As showed below.

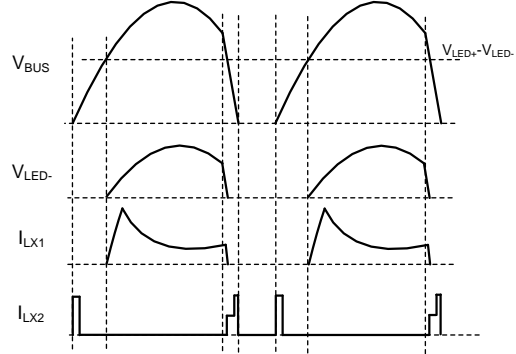


Fig.5 state in trailing edge mode

### Leading Edge Mode

In trailing edge mode, the fire current is decided by the resistor of ISEN2.

With smaller  $R_{ISEN2}$ , the latching current of LX2 is larger. For improving the efficiency, recommend to choose larger value of  $R_{ISEN2}$ , and satisfy appropriate compatibility.

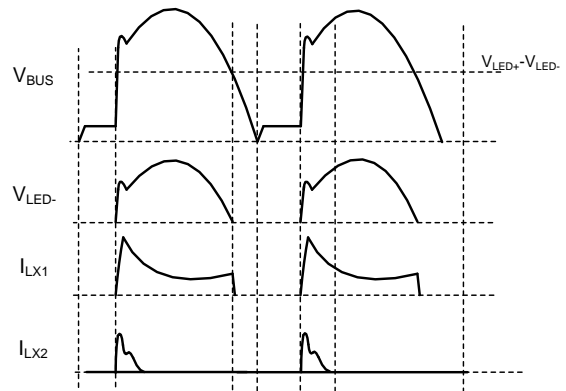
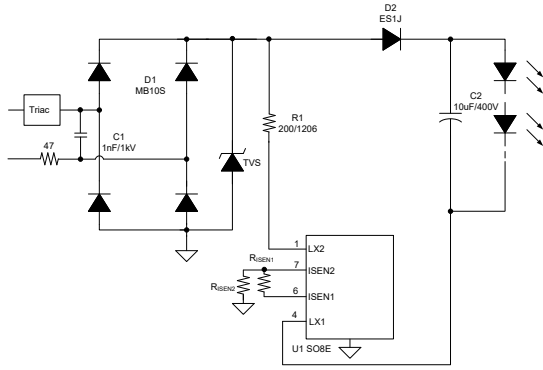


Fig.6 state in leading edge mode

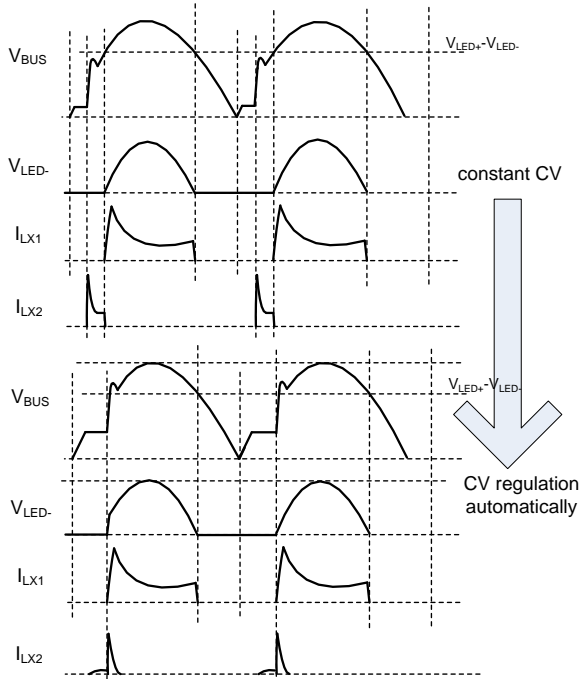
The current of LX1 and LX2 flow through  $R_{ISEN2}$  simultaneously. So the actual fire current contains both two currents which help to decrease the fire loss. Recommend value:  $R_{ISEN1} > 0.7 \text{ ohm}$ .



**Fig.6 fire current sample resistor**

### CV Logic

For further improve efficiency, SY22642C1 integrate automatic CV regulation logic. So the loss caused by holding current is reduced.



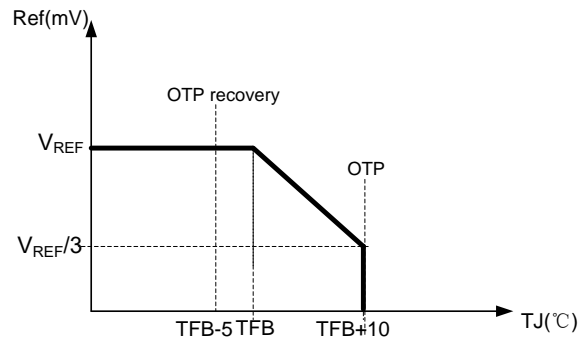
**Fig.7 CV logic**

### TFB setting

TFB is set by TFB pin and controlled by digital logic. So please do not select the value out of list.

RTFB(k ohm)	TFB(°)
NC	155
120	150
56	145
30	140
15	135
7.5	130
3.6	125
1.8	120
0	115

TFB curve is showed as below.



**Fig.8 TFB curve**

## Design Example

A design example of typical application is shown below step by step.

### Example A

#1. Identify design specification

Target parameter			
$I_{OUT}$	22mA	$T_{TFB}$	150°

#1. Set  $R_{ISEN1}$  and  $R_{ISEN2}$

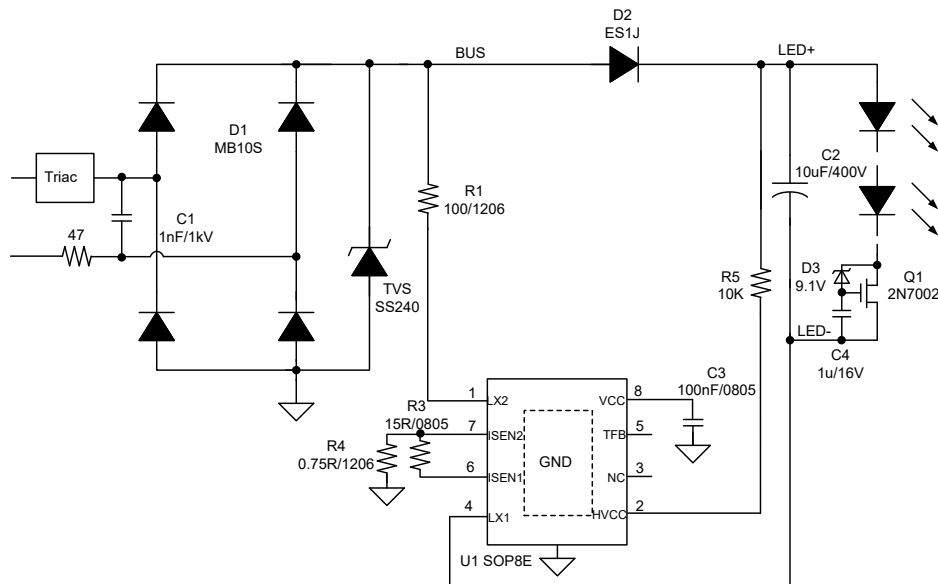
Set  $R_{ISEN2}=0.75\text{ ohm}$

$$R_{ISEN1} = \frac{V_{REF}}{I_{OUT}} - R_{ISEN2} = \frac{0.3}{0.022} - 0.75 \approx 13\text{ ohm}$$

#2 set TFB pin

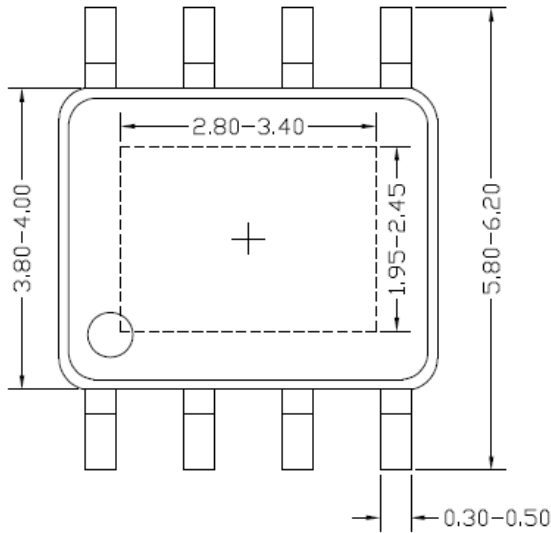
$R_{TFB}=NC$ .

#3 final result

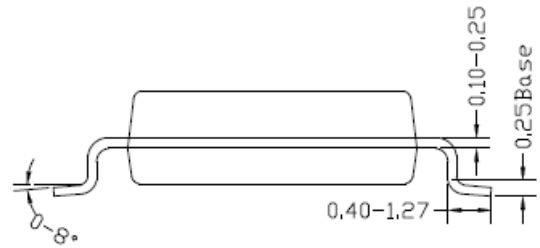


**Fig.9 Final Design Result**

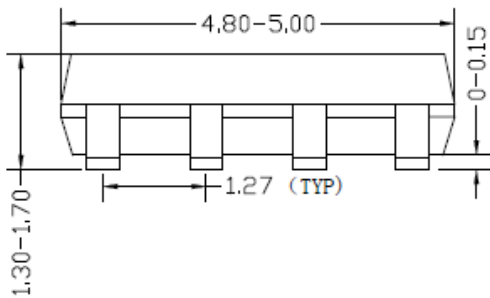
## SO8E Package Outline & PCB layout



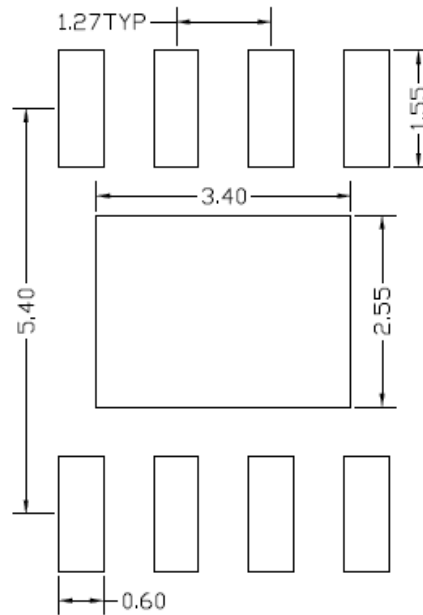
Top view



Side view



Front view



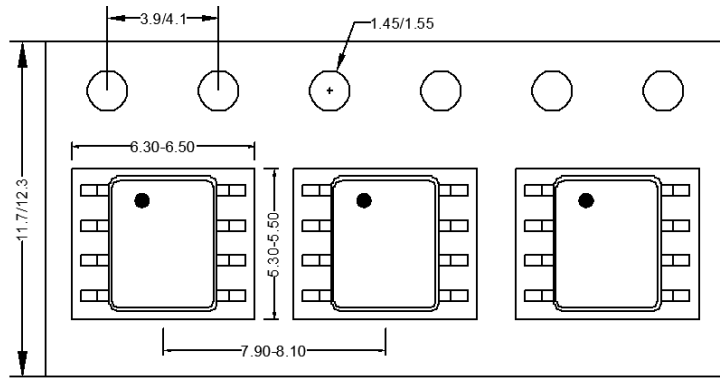
Recommended PCB Layout  
(Reference Only)

**Notes: All dimension in millimeter and exclude mold flash & metal burr.**

**Taping & Reel Specification**

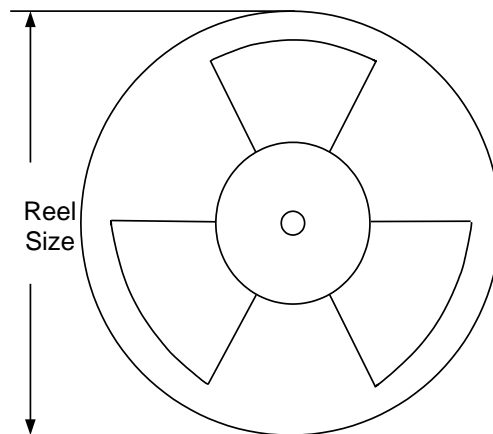
**1. Taping orientation**

**SO8E**



**Feeding direction** →

**2. Carrier Tape & Reel specification for packages**



Package types	Tape width (mm)	Pocket pitch(mm)	Reel size (Inch)	Trailer * length(mm)	Leader * length (mm)	Qty per reel (pcs)
SO8E	12	8	13"	400	400	2500

**Others: NA**



---

## **Revision History**

The revision history provided is for informational purpose only and is believed to be accurate, however, not warranted. Please make sure that you have the latest revision.

<b>Date</b>	<b>Revision</b>	<b>Change</b>
September 7, 2021	Revision 0.9	Initial Release



---

**IMPORTANT NOTICE**

1. **Right to make changes.** Silergy and its subsidiaries (hereafter Silergy) reserve the right to change any information published in this document, including but not limited to circuitry, specification and/or product design, manufacturing or descriptions, at any time and without notice. This document supersedes and replaces all information supplied prior to the publication hereof. Buyers should obtain the latest relevant information before placing orders and should verify that such information is current and complete. All semiconductor products are sold subject to Silergy's standard terms and conditions of sale.

2. **Applications.** Application examples that are described herein for any of these products are for illustrative purposes only. Silergy makes no representation or warranty that such applications will be suitable for the specified use without further testing or modification. Buyers are responsible for the design and operation of their applications and products using Silergy products. Silergy or its subsidiaries assume no liability for any application assistance or designs of customer products. It is customer's sole responsibility to determine whether the Silergy product is suitable and fit for the customer's applications and products planned. To minimize the risks associated with customer's products and applications, customer should provide adequate design and operating safeguards. Customer represents and agrees that it has all the necessary expertise to create and implement safeguards which anticipate dangerous consequences of failures, monitor failures and their consequences, lessen the likelihood of failures that might cause harm and take appropriate remedial actions. Silergy assumes no liability related to any default, damage, costs or problem in the customer's applications or products, or the application or use by customer's third-party buyers. Customer will fully indemnify Silergy, its subsidiaries, and their representatives against any damages arising out of the use of any Silergy components in safety-critical applications. It is also buyers' sole responsibility to warrant and guarantee that any intellectual property rights of a third party are not infringed upon when integrating Silergy products into any application. Silergy assumes no responsibility for any said applications or for any use of any circuitry other than circuitry entirely embodied in a Silergy product.

3. **Limited warranty and liability.** Information furnished by Silergy in this document is believed to be accurate and reliable. However, Silergy makes no representation or warranty, expressed or implied, as to the accuracy or completeness of such information and shall have no liability for the consequences of use of such information. In no event shall Silergy be liable for any indirect, incidental, punitive, special or consequential damages, including but not limited to lost profits, lost savings, business interruption, costs related to the removal or replacement of any products or rework charges, whether or not such damages are based on tort or negligence, warranty, breach of contract or any other legal theory. Notwithstanding any damages that customer might incur for any reason whatsoever, Silergy's aggregate and cumulative liability towards customer for the products described herein shall be limited in accordance with the Standard Terms and Conditions of Sale of Silergy.

4. **Suitability for use.** Customer acknowledges and agrees that it is solely responsible for compliance with all legal, regulatory and safety-related requirements concerning its products, and any use of Silergy components in its applications, notwithstanding any applications-related information or support that may be provided by Silergy. Silergy products are not designed, authorized or warranted to be suitable for use in life support, life-critical or safety-critical systems or equipment, nor in applications where failure or malfunction of an Silergy product can reasonably be expected to result in personal injury, death or severe property or environmental damage. Silergy assumes no liability for inclusion and/or use of Silergy products in such equipment or applications and therefore such inclusion and/or use is at the customer's own risk.

5. **Terms and conditions of commercial sale.** Silergy products are sold subject to the standard terms and conditions of commercial sale, as published at <http://www.silergy.com/stdterms>, unless otherwise agreed in a valid written individual agreement specifically agreed to in writing by an authorized officer of Silergy. In case an individual agreement is concluded only the terms and conditions of the respective agreement shall apply. Silergy hereby expressly objects to and denies the application of any customer's general terms and conditions with regard to the purchase of Silergy products by the customer.

6. **No offer to sell or license.** Nothing in this document may be interpreted or construed as an offer to sell products that is open for acceptance or the grant, conveyance or implication of any license under any copyrights, patents or other industrial or intellectual property rights. Silergy makes no representation or warranty that any license, either express or implied, is granted under any patent right, copyright, mask work right, or other intellectual property right. Information published by Silergy regarding third-party products or services does not constitute a license to use such products or services or a warranty or endorsement thereof. Use of such information may require a license from a third party under the patents or other intellectual property of the third party, or a license from Silergy under the patents or other intellectual property of Silergy.

For more information, please visit: [www.silergy.com](http://www.silergy.com)

© 2021 Silergy Corp.

**All Rights Reserved.**