

## High Efficiency Fast Response, 3A, 30V Input Synchronous Step Down Regulator

### General Description

The SY8263 develops a high efficiency synchronous step-down DC/DC converter capable of delivering 3A load current. The SY8263 operates over a wide input voltage range from 4.5V to 30V and integrates main switch and synchronous switch with very low  $R_{DS(ON)}$  to minimize the conduction loss.

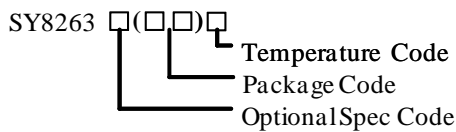
The SY8263 adopts peak current control scheme. The switching frequency is adjustable from 500kHz to 2.5MHz using an external resistor. The device also features ultra low quiescent operating to achieve high efficiency under light load. And the internal soft-start limits inrush current during power on.

SY8263 is available in TSOT23-8 package.

### Features

- Low  $R_{DS(ON)}$  for Internal Switches (Top/Bottom): 110/70 m $\Omega$
- 4.5-30V Input Voltage Range
- Internal Compensation
- Internal 1ms Soft-start Limits the Inrush Current
- Adjustable Switching Frequency Range: 500kHz to 2.5MHz
- 3A Output Current Capability
- 1.5% 0.6V Reference
- Low Quiescent Current
- Cycle-by-cycle Peak Current Limit
- Short Circuit Protection
- Thermal Shutdown and Auto Recovery
- RoHS Compliant and Halogen Free
- Compact Package: TSOT23-8

### Ordering Information



| Ordering Number | Package type | Note |
|-----------------|--------------|------|
| SY8263AIC       | TSOT23-8     | --   |

### Applications

- LCD-TV
- SetTop Box
- Notebook
- Storage
- High Power AP Router
- Networking

### Typical Applications

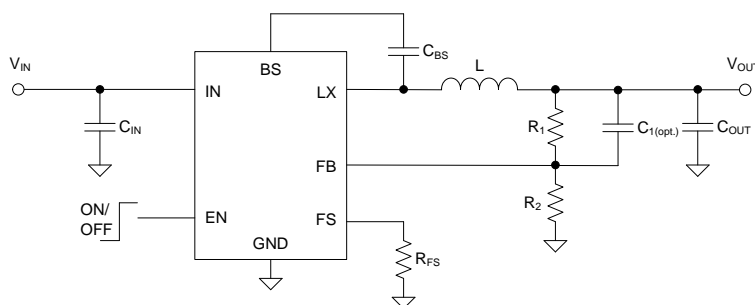


Figure 1. Schematic Diagram

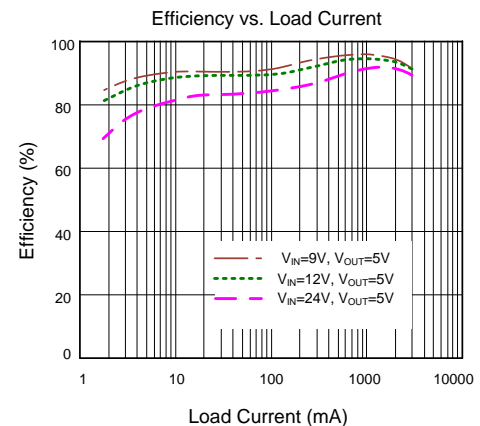
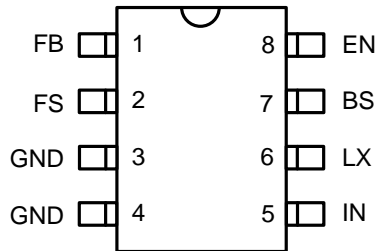


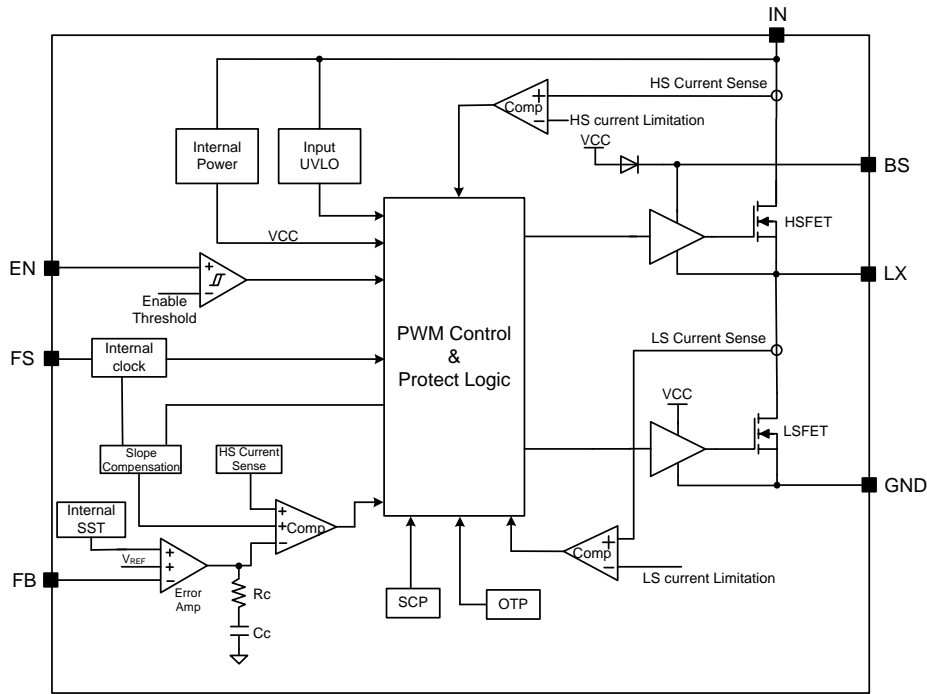
Figure 2. Efficiency vs. Load Current

**Pinout** (top view)


Top Mark: **bBxyz** (Device code: bB, *x*=year code, *y*=week code, *z*=lot number code)

| Pin Name | Pin Number | Pin Description  |
|----------|------------|--|
| FB       | 1          | Output feedback pin. Connect this pin to the center point of the output resistor divider (as shown in Figure 1) to program the output voltage: $V_{OUT}=0.6*(1+R1/R2)$   |
| FS       | 2          | Frequency programming pin. Connect a resistor to ground to program a switching frequency between 500kHz to 2.5MHz. The switching frequency equals to: $F_{sw}=10^5/R_{FS}$ kHz, where $R_{FS}$ is in $k\Omega$ . |
| EN       | 8          | Enable control. Pull high to turn on. Do not float.  |
| GND      | 3,4        | Ground pin.  |
| IN       | 5          | Input pin. Decouple this pin to GND pin with at least 4.7uF ceramic cap.   |
| LX       | 6          | Inductor pin. Connect this pin to the switching node of inductor.  |
| BS       | 7          | Boot-strap pin. Supply high side gate driver. Connect a 0.1uF to LX pin.   |

**Block Diagram**



**Absolute Maximum Ratings** (Note 1)

|  |       |                |
|--|-------|----------------|
| IN to GND  | ----- | -0.3V to 40V   |
| LX, FB, EN, FS to GND                                  | ----- | -0.3V to 40V   |
| BS-LX  | ----- | -0.3V to 4V    |
| Power Dissipation, PD @ T <sub>A</sub> = 25°C TSOT23-8 | ----- | 2W             |
| Package Thermal Resistance (Note 2)                    |       |                |
| θ <sub>JA</sub>  | ----- | 60.2°C/W       |
| θ <sub>JC</sub>  | ----- | 11.2°C/W       |
| Junction Temperature Range                             | ----- | -40°C to 150°C |
| Ambient Temperature Range                              | ----- | -40°C to 105°C |
| Lead Temperature (Soldering, 10 sec.)                  | ----- | 260°C          |
| Storage Temperature Range                              | ----- | -65°C to 150°C |

**Recommended Operating Conditions** (Note 3)

|                            |       |                |
|----------------------------|-------|----------------|
| Supply Input Voltage       | ----- | 4.5V to 30V    |
| Junction Temperature Range | ----- | -40°C to 125°C |
| Ambient Temperature Range  | ----- | -40°C to 85°C  |

## Electrical Characteristics

( $V_{IN} = 12V$ ,  $V_{OUT} = 5V$ ,  $C_{OUT} = 47\mu F$ ,  $T_A = 25^\circ C$ ,  $I_{OUT} = 1A$  unless otherwise specified)

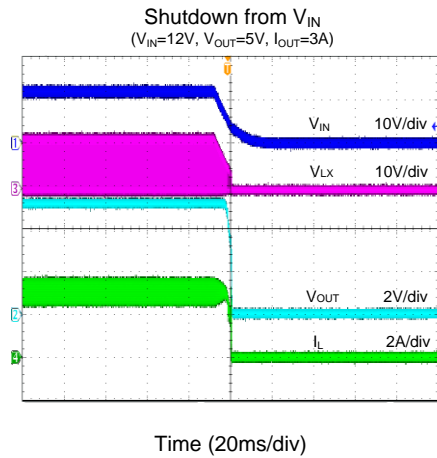
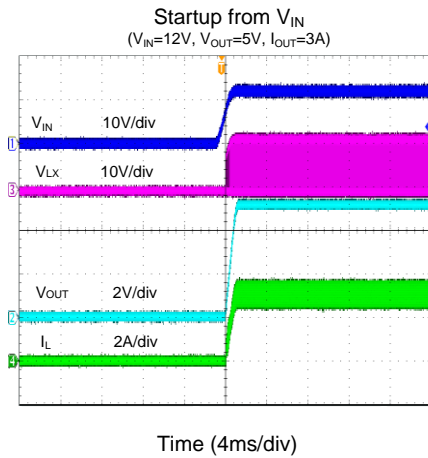
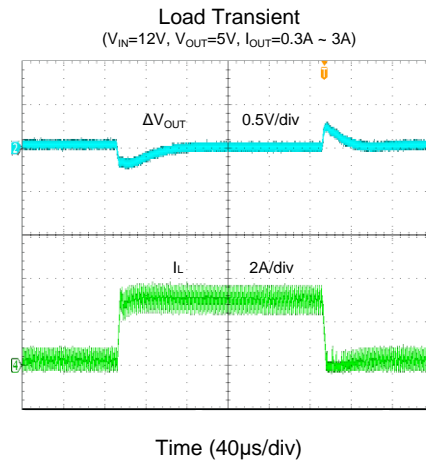
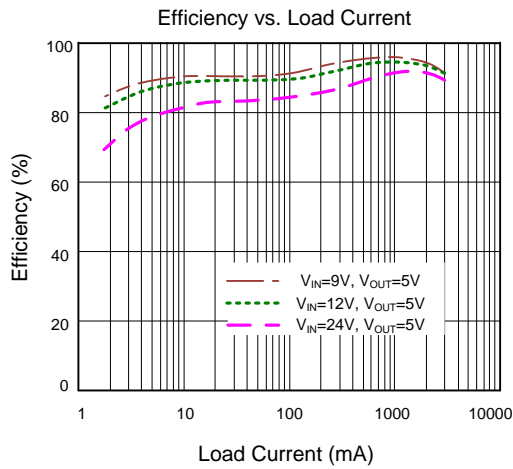
| Parameter                          | Symbol         | Test Conditions                      | Min   | Typ | Max   | Unit        |
|------------------------------------|----------------|--------------------------------------|-------|-----|-------|-------------|
| Input Voltage Range                | $V_{IN}$       |                                      | 4.5   |     | 30    | V           |
| Quiescent Current                  | $I_Q$          | $I_{OUT}=0$ , $V_{FB}=V_{REF}*105\%$ |       |     | 19    | $\mu A$     |
| Shutdown Current                   | $I_{SHDN}$     | $EN=0$                               |       | 1   | 2     | $\mu A$     |
| Feedback Reference Voltage         | $V_{REF}$      |                                      | 0.591 | 0.6 | 0.609 | V           |
| FB Input Current                   | $I_{FB}$       | $V_{FB}=V_{CC}$                      | -50   |     | 50    | nA          |
| Top FET RON                        | $R_{DS(ON)1}$  |                                      |       | 110 |       | $m\Omega$   |
| Bottom FET RON                     | $R_{DS(ON)2}$  |                                      |       | 70  |       | $m\Omega$   |
| Top FET Current Limit              | $I_{LIM, TOP}$ |                                      | 4     |     | 6.8   | A           |
| EN Low threshold                   | $V_{ENL}$      |                                      | 0.6   |     |       | V           |
| EN High Threshold                  | $V_{ENH}$      |                                      |       |     | 1.5   | V           |
| Input UVLO threshold               | $V_{UVLO}$     |                                      |       |     | 4.35  | V           |
| UVLO hysteresis                    | $V_{HYS}$      |                                      |       | 0.2 |       | V           |
| Oscillator Frequency Program Range | $F_{OSC}$      | $R_{FS}=200k$                        |       | 0.5 |       | MHz         |
| Oscillator Frequency Accuracy      |                |                                      | -15   |     | 15    | % $F_{OSC}$ |
| Soft-start Time                    | $T_{SS}$       |                                      |       | 1   |       | ms          |
| Min ON Time                        |                |                                      |       | 80  |       | ns          |
| Min OFF Time                       |                |                                      |       | 120 |       | ns          |
| Thermal Shutdown Temperature       | $T_{SD}$       |                                      |       | 150 |       | $^\circ C$  |
| Thermal Shutdown Hysteresis        | $T_{SD, HYS}$  |                                      |       | 15  |       | $^\circ C$  |

**Note 1:** Stresses beyond the “Absolute Maximum Ratings” may cause permanent damage to the device. These are stress ratings only. Functional operation of the device at these or any other conditions beyond those indicated in the operational sections of the specification is not implied. Exposure to absolute maximum rating conditions for extended periods may affect device reliability.

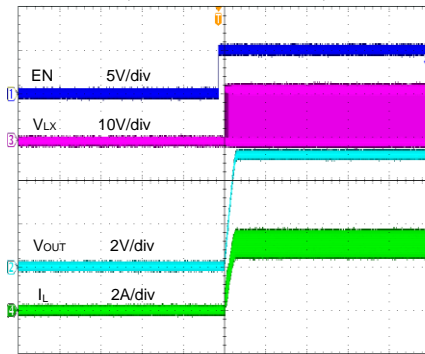
**Note 2:**  $\theta_{JA}$  is measured in the natural convection at  $T_A = 25^\circ C$  on a low effective 4-layer thermal conductivity test board of JEDEC 51-3 thermal measurement standard. Pin 2 of TSOT-23-8 packages is the case position for  $\theta_{JC}$  measurement.

**Note 3:** The device is not guaranteed to function outside its operating conditions.

## Typical Performance Characteristics

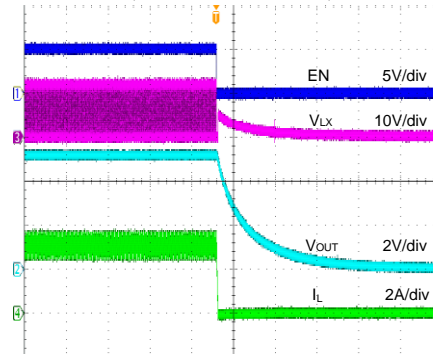


**Startup from Enable**  
( $V_{IN}=12V$ ,  $V_{OUT}=5V$ ,  $I_{OUT}=3A$ )



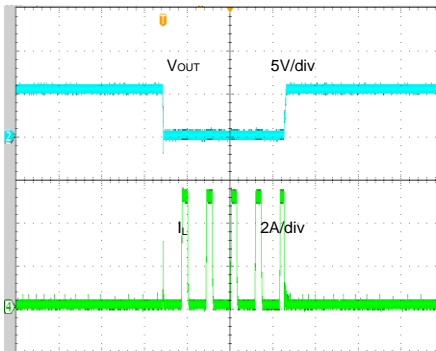
Time (4ms/div)

**Shutdown from Enable**  
( $V_{IN}=12V$ ,  $V_{OUT}=5V$ ,  $I_{OUT}=3A$ )



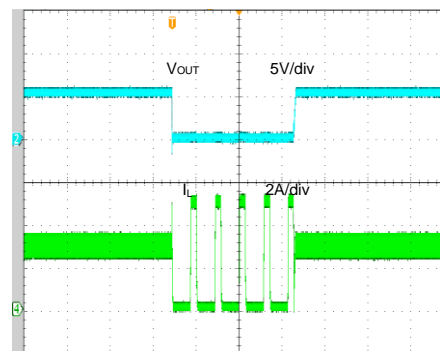
Time (100 $\mu$ s/div)

**Short Circuit Protection**  
( $V_{IN}=12V$ ,  $V_{OUT}=5V$ , 0A to Short)



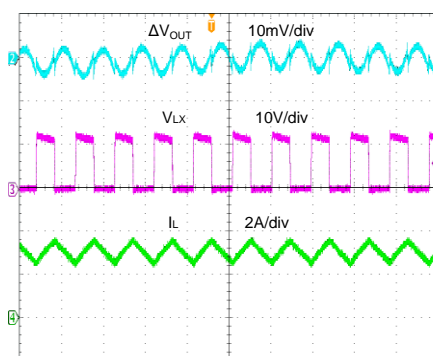
Time (10ms/div)

**Short Circuit Protection**  
( $V_{IN}=12V$ ,  $V_{OUT}=5V$ , 3A to Short)



Time (10ms/div)

**Output Ripple**  
( $V_{IN}=12V$ ,  $V_{OUT}=5V$ ,  $I_{OUT}=3A$ )



Time (2 $\mu$ s/div)

## Operation

The SY8263 develops a high efficiency synchronous step-down DC-DC converter capable of delivering 3A load current. The SY8263 operates over a wide input voltage range from 4.5V to 30V and integrates main switch and synchronous switch with very low  $R_{DS(ON)}$  to minimize the conduction loss.

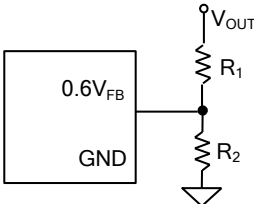
The SY8263 adopts peak current control scheme. The switching frequency is adjustable from 500kHz to 2.5MHz using an external resistor. The device also features ultra low quiescent operating to achieve high efficiency under light load. And the internal soft-start limits inrush current during power on.

## Applications Information

Because of the high integration in the SY8263 IC, the application circuit based on this regulator IC is rather simple. Only input capacitor  $C_{IN}$ , output capacitor  $C_{OUT}$ , output inductor  $L$  and feedback resistors ( $R_1$  and  $R_2$ ) need to be selected for the targeted applications specifications.

### Feedback resistor dividers $R_1$ and $R_2$ :

Choose  $R_1$  and  $R_2$  to program the proper output voltage. To minimize the power consumption under light loads, it is desirable to choose large resistance values for both  $R_1$  and  $R_2$ . A value of between 10k $\Omega$  and 1M $\Omega$  is highly recommended for both resistors. If  $V_{out}$  is 3.3V,  $R_1=100k$  is chosen, then using following equation,  $R_2$  can be calculated to be 22.1k:

$$R_2 = \frac{0.6V}{V_{OUT} - 0.6V} R_1$$


### Input capacitor $C_{IN}$ :

The ripple current through input capacitor is calculated as:

$$I_{CIN\_RMS} = I_{OUT} \cdot \sqrt{D(1-D)}$$

To minimize the potential noise problem, place a typical X5R or better grade ceramic capacitor really close to the IN and GND pins. Care should be taken to minimize the loop area formed by  $C_{IN}$ , and IN/GND

pins. In this case, a 4.7 $\mu$ F low ESR ceramic capacitor is recommended.

### Output capacitor $C_{OUT}$ :

The output capacitor is selected to handle the output ripple noise requirements. Both steady state ripple and transient requirements must be taken into consideration when selecting this capacitor. For the best performance, it is recommended to use X5R or better grade ceramic capacitor greater than 22 $\mu$ F capacitance.

### Output inductor $L$ :

There are several considerations in choosing this inductor.

- 1) Choose the inductance to provide the desired ripple current. It is suggested to choose the ripple current to be about 40% of the maximum output current. The inductance is calculated as:

$$L = \frac{V_{OUT}(1 - V_{OUT}/V_{IN,MAX})}{F_{SW} \times I_{OUT,MAX} \times 40\%}$$

where  $F_{SW}$  is the switching frequency and  $I_{OUT,MAX}$  is the maximum load current.

The SY8263 regulator IC is quite tolerant of different ripple current amplitude. Consequently, the final choice of inductance can be slightly off the calculation value without significantly impacting the performance.

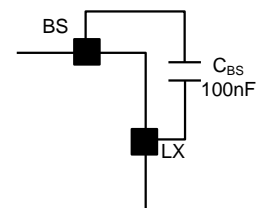
- 2) The saturation current rating of the inductor must be selected to be greater than the peak inductor current under full load conditions.

$$I_{SAT, MIN} > I_{OUT, MAX} + \frac{V_{OUT}(1 - V_{OUT}/V_{IN,MAX})}{2 \cdot F_{SW} \cdot L}$$

- 3) The DCR of the inductor and the core loss at the switching frequency must be low enough to achieve the desired efficiency requirement. It is desirable to choose an inductor with  $DCR < 50m\Omega$  to achieve a good overall efficiency.

### External Bootstrap Cap

This capacitor provides the gate driver voltage for internal high side MOSEFET. A 100nF low ESR ceramic capacitor connected between BS pin and LX pin is recommended.



### Switching Frequency Setting:

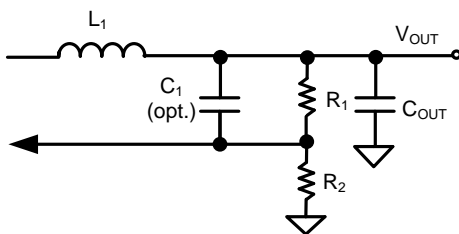
Connect a resistor from FS pin to GND to adjust the switching frequency. The switching frequency is adjustable from 500kHz to 2.5MHz. The switching frequency can be calculated by below equation:

$$F_{sw}(kHz) = \frac{10^5}{R_{FS}}$$

Where  $R_{FS}$  is in  $k\Omega$ .

### Load Transient Considerations:

The SY8263 regulator IC integrates the compensation components to achieve good stability and fast transient responses. In some applications, adding a ceramic cap in parallel with  $R_1$  may further speed up the load transient response and it is recommended for applications with large load transient step requirements.



### Short-Circuit Protection:

SY8263 integrates hiccup mode short circuit protection function. If the device  $V_{out}$  drops below 33% of the set-point, the short-circuit protection mode will be initiated. The device will shut down for approximately 4.5ms, then restart with a complete soft-start cycle that is approximately 1.5ms. If the short circuit condition remains another ‘hiccup’ cycle of shutdown and restart will continue indefinitely.

### Over-temperature Protection (OTP)

SY8263 includes over-temperature protection (OTP) circuitry to prevent overheating due to excessive power dissipation. This will shut down switching operation when the junction temperature exceeds  $150^\circ\text{C}$ . Once the junction temperature cools down by approximately  $15^\circ\text{C}$  the IC will resume normal operation with a complete soft-start cycle. For continuous operation, provide adequate cooling so that the junction temperature does not exceed the OTP threshold.

### Layout Design:

The layout design of SY8263 regulator is relatively simple. For the best efficiency and minimum noise problem, we should place the following components close to the IC:  $C_{IN}$ , L,  $R_1$  and  $R_2$ .

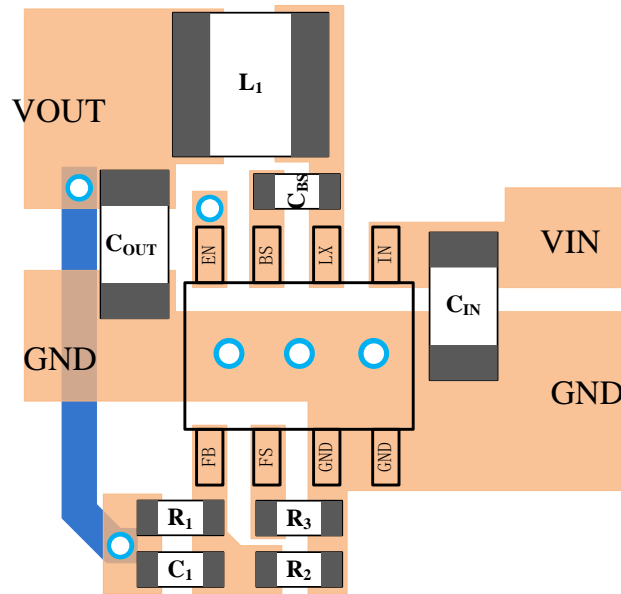
1) It is desirable to maximize the PCB copper area connecting to GND pin to achieve the best thermal and noise performance. If the board space allowed, a ground plane is highly desirable.

2)  $C_{IN}$  must be close to Pins IN and GND. The loop area formed by  $C_{IN}$  and GND must be minimized.

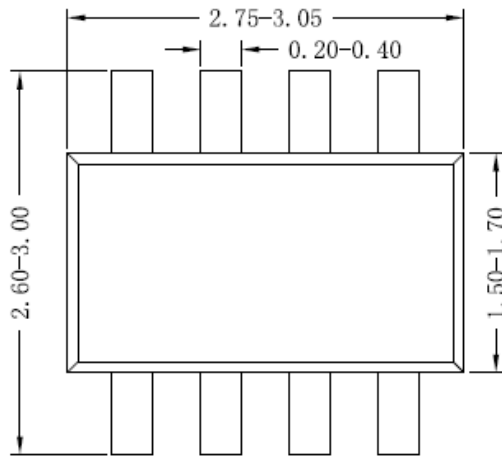
3) The PCB copper area associated with LX pin must be minimized to avoid the potential noise problem.

4) The components  $R_1$  and  $R_2$ , and the trace connecting to the FB pin must NOT be adjacent to the LX net on the PCB layout to avoid the noise problem.

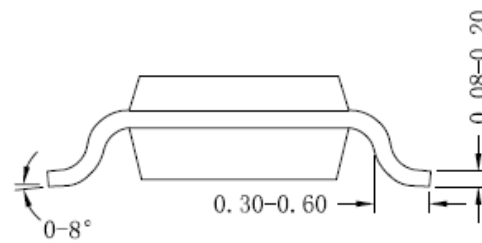
5) If the system chip interfacing with the EN pin has a high impedance state at shutdown mode and the IN pin is connected directly to a power source such as a Li-Ion battery, it is desirable to add a pull down 1Mohm resistor between the EN and GND pins to prevent the noise from falsely turning on the regulator at shutdown mode.



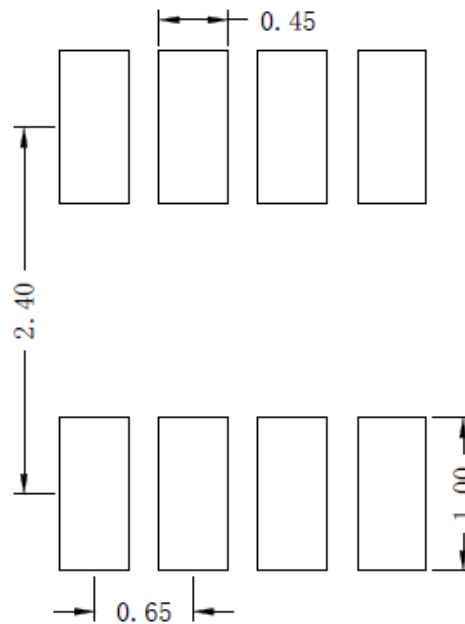
## TSOT23-8 Package Outline Drawing



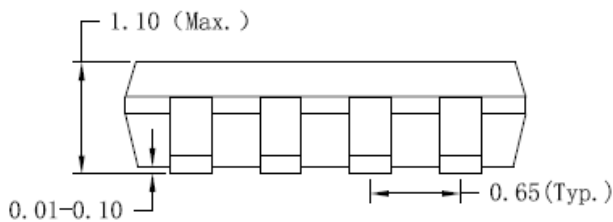
**Top view**



**Side view A**



**Recommended PCB layout  
(Reference only)**



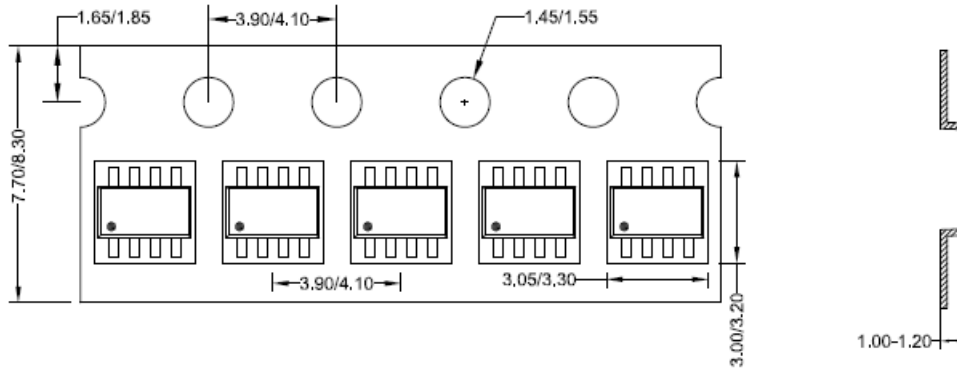
**Side view B**

**Notes: All dimension in millimeter and exclude mold flash & metal burr**

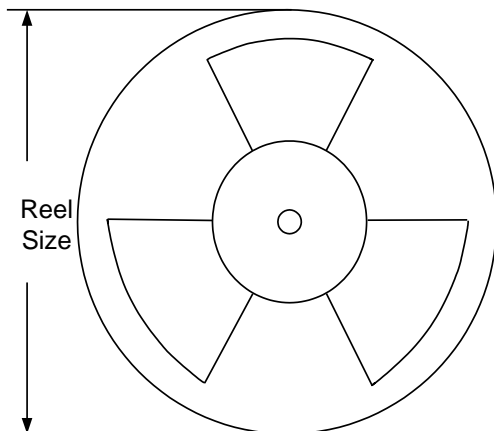
## Taping & Reel Specification

### 1. Taping orientation

TSOT23-8



### 2. Carrier Tape & Reel specification for packages



| Package types | Tape width<br>(mm) | Pocket<br>pitch(mm) | Reel size<br>(Inch) | Trailer *<br>length(mm) | Leader *<br>length (mm) | Qty per reel<br>(pcs) |
|---------------|--------------------|---------------------|---------------------|-------------------------|-------------------------|-----------------------|
| TSOT23-8      | 8                  | 4                   | 7                   | 400                     | 160                     | 3000                  |

### 3. Others: NA

**IMPORTANT NOTICE**

1. **Right to make changes.** Silergy and its subsidiaries (hereafter Silergy) reserve the right to change any information published in this document, including but not limited to circuitry, specification and/or product design, manufacturing or descriptions, at any time and without notice. This document supersedes and replaces all information supplied prior to the publication hereof. Buyers should obtain the latest relevant information before placing orders and should verify that such information is current and complete. All semiconductor products are sold subject to Silergy's standard terms and conditions of sale.

2. **Applications.** Application examples that are described herein for any of these products are for illustrative purposes only. Silergy makes no representation or warranty that such applications will be suitable for the specified use without further testing or modification. Buyers are responsible for the design and operation of their applications and products using Silergy products. Silergy or its subsidiaries assume no liability for any application assistance or designs of customer products. It is customer's sole responsibility to determine whether the Silergy product is suitable and fit for the customer's applications and products planned. To minimize the risks associated with customer's products and applications, customer should provide adequate design and operating safeguards. Customer represents and agrees that it has all the necessary expertise to create and implement safeguards which anticipate dangerous consequences of failures, monitor failures and their consequences, lessen the likelihood of failures that might cause harm and take appropriate remedial actions. Silergy assumes no liability related to any default, damage, costs or problem in the customer's applications or products, or the application or use by customer's third-party buyers. Customer will fully indemnify Silergy, its subsidiaries, and their representatives against any damages arising out of the use of any Silergy components in safety-critical applications. It is also buyers' sole responsibility to warrant and guarantee that any intellectual property rights of a third party are not infringed upon when integrating Silergy products into any application. Silergy assumes no responsibility for any said applications or for any use of any circuitry other than circuitry entirely embodied in a Silergy product.

3. **Limited warranty and liability.** Information furnished by Silergy in this document is believed to be accurate and reliable. However, Silergy makes no representation or warranty, expressed or implied, as to the accuracy or completeness of such information and shall have no liability for the consequences of use of such information. In no event shall Silergy be liable for any indirect, incidental, punitive, special or consequential damages, including but not limited to lost profits, lost savings, business interruption, costs related to the removal or replacement of any products or rework charges, whether or not such damages are based on tort or negligence, warranty, breach of contract or any other legal theory. Notwithstanding any damages that customer might incur for any reason whatsoever, Silergy' aggregate and cumulative liability towards customer for the products described herein shall be limited in accordance with the Standard Terms and Conditions of Sale of Silergy.

4. **Suitability for use.** Customer acknowledges and agrees that it is solely responsible for compliance with all legal, regulatory and safety-related requirements concerning its products, and any use of Silergy components in its applications, notwithstanding any applications-related information or support that may be provided by Silergy. Silergy products are not designed, authorized or warranted to be suitable for use in life support, life-critical or safety-critical systems or equipment, nor in applications where failure or malfunction of an Silergy product can reasonably be expected to result in personal injury, death or severe property or environmental damage. Silergy assumes no liability for inclusion and/or use of Silergy products in such equipment or applications and therefore such inclusion and/or use is at the customer's own risk.

5. **Terms and conditions of commercial sale.** Silergy products are sold subject to the standard terms and conditions of commercial sale, as published at <http://www.silergy.com/stdterms>, unless otherwise agreed in a valid written individual agreement specifically agreed to in writing by an authorized officer of Silergy. In case an individual agreement is concluded only the terms and conditions of the respective agreement shall apply. Silergy hereby expressly objects to and denies the application of any customer's general terms and conditions with regard to the purchase of Silergy products by the customer.

6. **No offer to sell or license.** Nothing in this document may be interpreted or construed as an offer to sell products that is open for acceptance or the grant, conveyance or implication of any license under any copyrights, patents or other industrial or intellectual property rights. Silergy makes no representation or warranty that any license, either express or implied, is granted under any patent right, copyright, mask work right, or other intellectual property right. Information published by Silergy regarding third-party products or services does not constitute a license to use such products or services or a warranty or endorsement thereof. Use of such information may require a license from a third party under the patents or other intellectual property of the third party, or a license from Silergy under the patents or other intellectual property of Silergy.

For more information, please visit: [www.silergy.com](http://www.silergy.com)

© 2018 Silergy Corp.

All Rights Reserved.