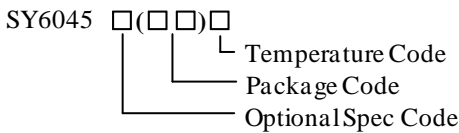


General Description

The SY6045S is a 2×30W, digital audio power amplifier for driving bridge-tied stereo speakers. One serial data input allows processing of up to two discrete audio channels and seamless integration to most digital audio processors. The SY6045S is an I²S slave device receiving all clocks from the external sources.

The SY6045S has the essential audio signal processing functions like dynamic range control, loudness control and parametric equalization.

Ordering Information



Ordering Number	Package type	Note
SY6045SQHC	QFN6×6-40	

Applications

- LCD TV, LED TV or Monitor
- Digital Speaker, Bluetooth Speaker
- Sound Bar

Typical Application

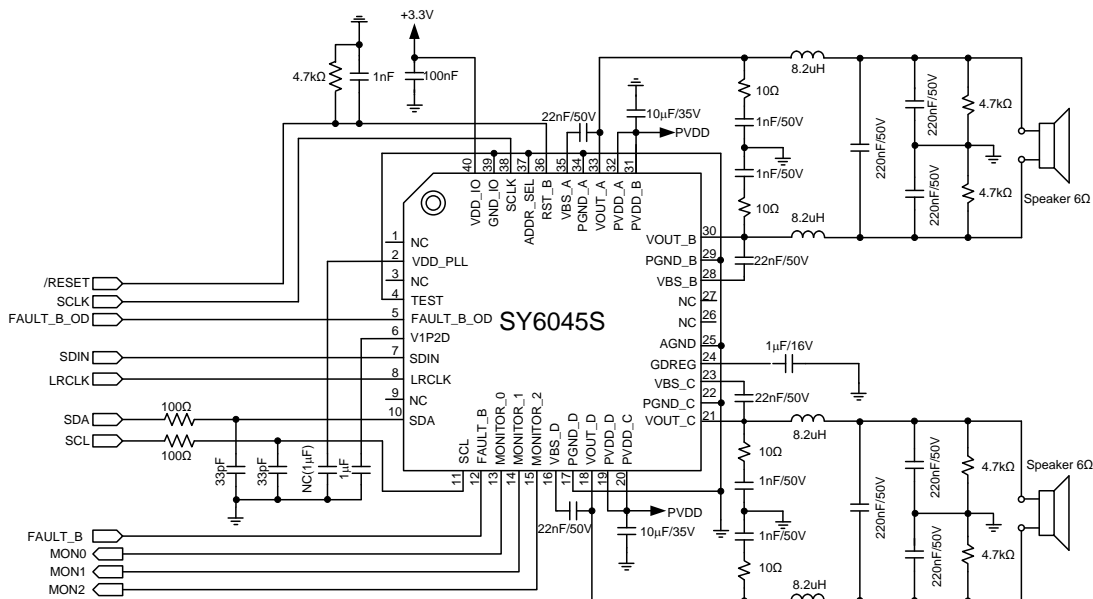
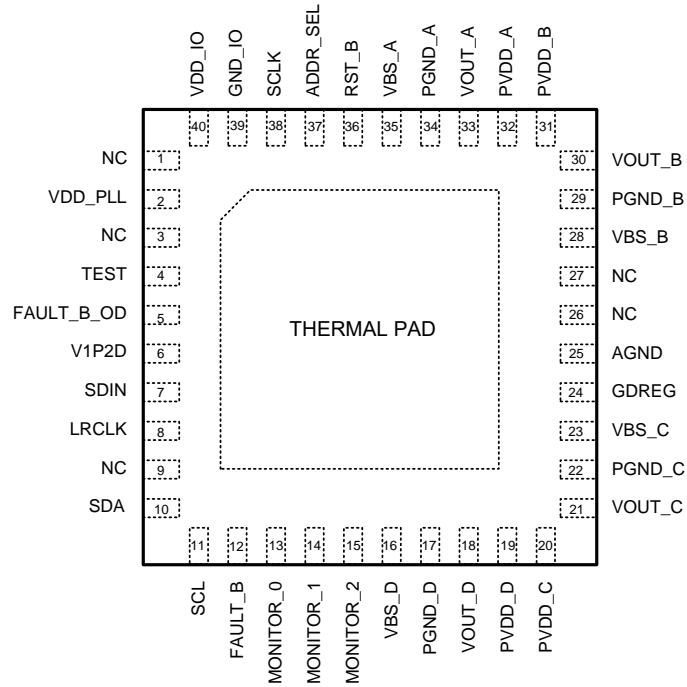


Figure1. Typical Application Circuit

Features

- 2CH Stereo(30W×2BTL)
- 2.0 BTL Mode or Single-filter PBTL Mode Support
- 4.5V to 28V PVDD Range
- 32kHz to 96kHz Sample Rate Support (LJ/RJ/I²S)
- I²C Address Selection Pin
- Independent Channel Volume Controls with 48dB to Mute
- SDATA Generator (I²S Output)
- Two DC Blocking Filters
- 18 PEQs or 12 PEQs + 6 SPEQs Each Channel for Speaker Protection and Speaker Compensation
- 3 Bands Plus a Post Dynamic Range Control
- Loudness Control
- Power Level Meter
- 3-wire I²S Digital Audio Interface without MCLK
- Thermal, Over Current, Short Circuit, Short Load, Open Load Protections and EQ/DRC Coefficients Checksum
- Support Automatic Audio Sample Rate Detection
- Surface Mount, QFN 40-Pin, 6mm×6mm

Pinout (top view)



(QFN6x6-40)

Top mark: CQN xyz (Device code: CQN, x=year code, y=week code, z=lot number code)

Pin Name	Pin Number	Type ⁽¹⁾	Termination ⁽²⁾	Description
VOUT_A	33	O		Half-bridge A output.
VOUT_B	30	O		Half-bridge B output.
VOUT_C	21	O		Half-bridge C output.
VOUT_D	18	O		Half-bridge D output.
PVDD_A	32	P		Power supply for half-bridge A.
PVDD_B	31	P		Power supply for half-bridge B.
PVDD_C	20	P		Power supply for half-bridge C.
PVDD_D	19	P		Power supply for half-bridge D.
VBS_A	35	P		High side supply offset voltage for half-bridge A.
VBS_B	28	P		High side supply offset voltage for half-bridge B.
VBS_C	23	P		High side supply offset voltage for half-bridge C.
VBS_D	16	P		High side supply offset voltage for half-bridge D.
GDREG	24	P		Gate driver internal regulator output. This pin must not be used to drive external devices.
GND_IO	39	P		Analog 3.3V power supply ground.
NC	1,3,9,26,27			No Connection.
VDD_IO	40	P		3.3V analog power supply.
ADDR_SEL	37	DI	Pull down	I ² C address selection pin.
V1P2D	6	P		Internal regulated 1.2V digital power supply for digital core. This pin must not be used to power external devices.
VDD_PLL	2	P		Internal regulated 1.2V digital power supply for PLL. This pin must not be used to power external devices.
FAULT_B	12	DI		Pull this pin low to turn off the PWM signal path.
FAULT_B_OD	5	DO		Output internal power-stage errors.



LRCLK	8	DI	Pull down	Serial audio data left or right clock input.
SCLK	38	DI	Pull down	Serial audio data bit clock input.
SDIN	7	DI	Pull down	Serial audio data input.
SDA	10	DIO	Pull up	I2C serial data input or output.
SCL	11	DI	Pull up	I2C serial clock input.
MONITOR_0	13	DO		Monitoring signal out from processor block / I ² S output.
MONITOR_1	14	DO		Monitoring signal out from processor block / I ² S output.
MONITOR_2	15	DO		Monitoring signal out from processor block / I ² S output.
RST_B	36	DI	Pull-up	Logic low to this pin to reset the system. When reset is pulled low, DAP restores to its default conditions, and places the PWM in the hard mute state.
TEST	4	DI	Pull down	Test pin.
AGND	25	P		Power stage analog ground.
PGND_A	34	P		Power ground for half-bridge A.
PGND_B	29	P		Power ground for half-bridge B.
PGND_C	22	P		Power ground for half-bridge C.
PGND_D	17	P		Power ground for half-bridge D.

Note: (1) Type: A =analog; D =digital; P =power/ground/decoupling; I =input; O =output; IO=inout
 (2) All pull-ups and pull-downs are weak.

Block Diagram

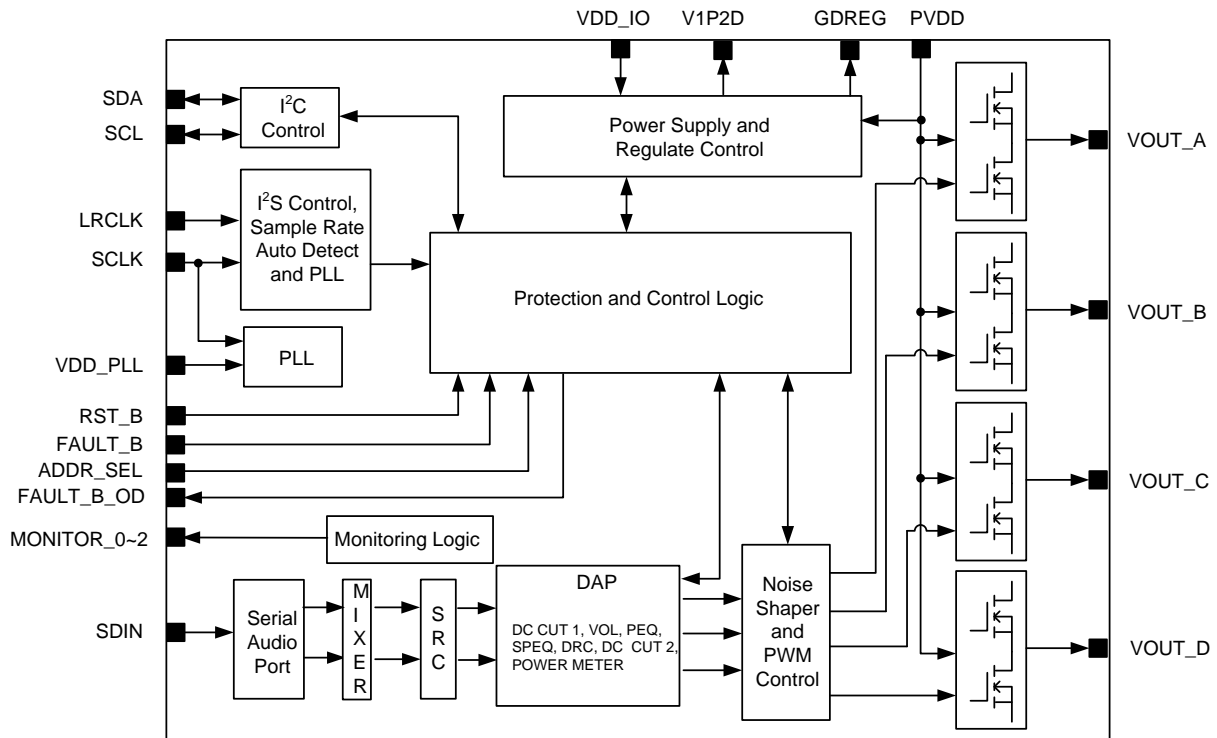


Figure2a. Block Diagram

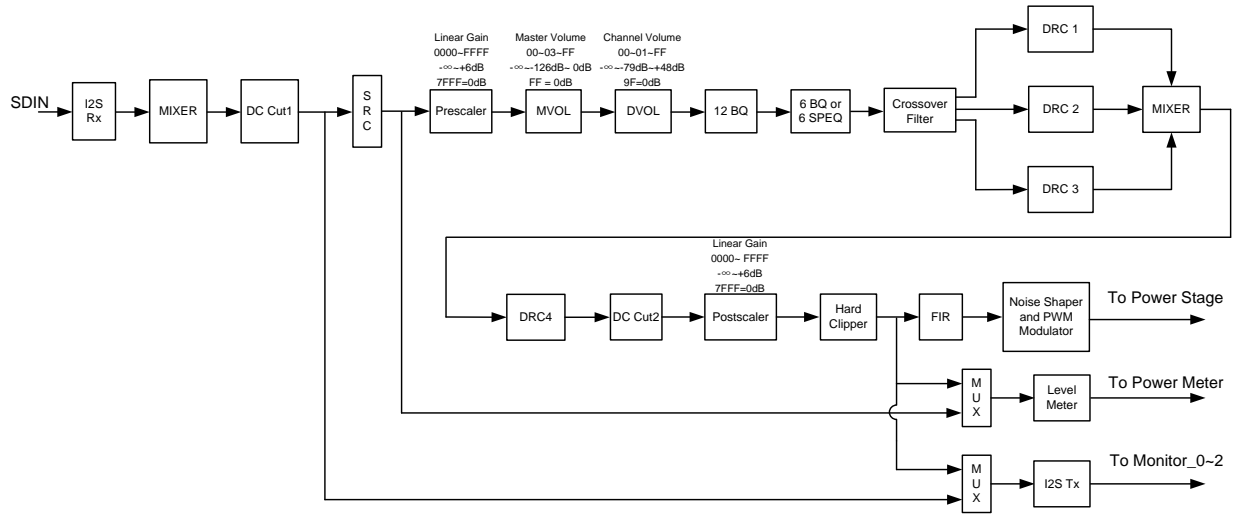


Figure2b. DAP Process Structure

Absolute Maximum Ratings (Note 1)

VDD_IO, Power Supply for Digital Interface I/O -----	-0.3V to 3.6V
PVDD, Half-bridge Supply Voltage (Note 2) -----	-0.3V to 30V
Digital Input -----	-0.5V to (VDD_IO+0.5) V
VOUT_x -----	30V
GDREG -----	-0.5V to 4V
VBS_x to VOUT_x -----	-0.5V to 4V
Package Thermal Resistance (Note 3)	
θ_{JA} -----	23°C/W
θ_{JC} (top) -----	15°C/W
θ_{JC} (bottom) -----	3°C/W
θ_{JB} -----	10.5°C/W
Junction Temperature Range -----	0°C to 150°C
Storage Temperature Range -----	-40°C to 125°C

Recommended Operating Conditions

VDD_IO, Power Supply for Digital Interface I/O -----	3.3V
PVDD, Half-bridge Supply Voltage -----	4.5V to 28V
R _{L(BTL)} , Load Impedance(BTL) -----	8Ω
R _{L(PBTL)} , Load Impedance(PBTL) -----	4Ω
Operating Ambient Temperature Range -----	0°C to 85°C
Operating Junction Temperature Range -----	0°C to 125°C

PWM Operation Conditions

Parameter	Test Conditions	Value	Unit
Output Sample Rate	44.1kHz data rate	352.8	kHz
	32/48/96kHz data rate	384	

Electrical Characteristics

DC Characteristics

(T_A=25°C, PVDD_x=18V, VDD_{IO}=3.3V, R_L=8 Ω, BTL Ternary Mode, f_S=48 kHz, unless otherwise specified.)

Symbol	Parameter	Conditions	Min	Typ	Max	Unit
PVDD	Half-bridge Supply Voltage		4.5		28	V
VDD _{IO}	Power Supply for Digital Interface I/O		3		3.6	V
GDREG	Gate Drive Supply		3.2		3.4	V
V _{IH}	High Level Input Voltage	TEST, SDIN, LRCLK, SDA, SCL, FAULT_B, RST_B, ADDR_SEL, SCLK	2			V
V _{IL}	Low Level Input Voltage	TEST, SDIN, LRCLK, SDA, SCL, FAULT_B, RST_B, ADDR_SEL, SCLK			0.8	V
I _{IL}	Low Level Input Current	TEST, SDIN, LRCLK, SDA, SCL, FAULT_B, RST_B, ADDR_SEL, SCLK			75	μA
I _{IH}	High Level Input Current	TEST, SDIN, LRCLK, SDA, SCL, FAULT_B, RST_B, ADDR_SEL, SCLK			75	μA
I _{VDD_{IO}}	3.3V Supply Current	No Input, No Load		11.4		mA
		Reset(RST_B = low, FAULT_B = high)		0.75		
I _{PVDD}	No Load, Half-bridge Supply Current (Without Snubber)	Normal		23.6		mA
		Reset(RST_B = low, FAULT_B = high)		1.3		
Power MOSFET						
R _{DS(ON)}	High Side Drain-to-source Resistance	T _j =25°C, includes metallization resistance		110		mΩ
	Low Side Drain-to-source Resistance			110		mΩ
Load Diagnostics						
OLDT	Open-load detection threshold	Including speaker wires		100		Ω
SLDT	Short-load detection threshold	Including speaker wires		1.5		
	Resistance to detect a short from OUT pin(s) to ground				100	
	Voltage to detect a short from output pin(s) to power supply		5.5			V
Protection						
V _{UVP}	PVDD Falling			3.4		V
	PVDD Rising			4		
OVTP	Over Temperature Protection			150		°C
OVTP _{HYST}	Over Temperature Protection Hysteresis			30		°C
I _{OV}	Over Current Protection			7.5		A

AC Characteristics (Note 4)

($T_A=25^\circ\text{C}$, $C_{VBS}=22\text{nF}$, Audio frequency=1kHz, $f_s=48\text{kHz}$, AES17 filter, Snubber=10 Ω +1nF, BTL ternary mode, unless otherwise specified.)

Symbol	Parameter	Conditions	Min	Typ	Max	Unit
Speaker Amplifier						
P_o	Output Power	BTL Mode, PVDD=12V, $R_L=8\Omega$, 1%THD+N		8.1		W
		BTL Mode, PVDD=12V, $R_L=8\Omega$, 10%THD+N		10.0		
		BTL Mode, PVDD=12V, $R_L=6\Omega$, 1%THD+N		10.1		
		BTL Mode, PVDD=12V, $R_L=6\Omega$, 10%THD+N		12.5		
		BTL Mode, PVDD=13.2V, $R_L=6\Omega$, 1%THD+N		12.3		
		BTL Mode, PVDD=13.2V, $R_L=6\Omega$, 10%THD+N		15.2		
		BTL Mode, PVDD=18V, $R_L=8\Omega$, 1%THD+N		18.2		
		BTL Mode, PVDD=18V, $R_L=8\Omega$, 10%THD+N		22.4		
		BTL Mode, PVDD=18V, $R_L=6\Omega$, 1%THD+N		22.9		
		BTL Mode, PVDD=18V, $R_L=6\Omega$, 10%THD+N		28.1		
		BTL Mode, PVDD=24V, $R_L=8\Omega$, 1%THD+N		32.2		
		BTL Mode, PVDD=24V, $R_L=8\Omega$, 10%THD+N		39.5		
		PBTL Mode, PVDD=12V, $R_L=4\Omega$, 1%THD+N		16.2		
		PBTL Mode, PVDD=12V, $R_L=4\Omega$, 10%THD+N		20.0		
		PBTL Mode, PVDD=18V, $R_L=4\Omega$, 1%THD+N		36.4		
PBTL Mode, PVDD=24V, $R_L=4\Omega$, 1%THD+N		64.2				
THD+N	Total Harmonic Distortion and Noise	PVDD=12V, $R_L=8\Omega$, $P_O=1\text{W}$		0.035		%
		PVDD=13.2V, $R_L=6\Omega$, $P_O=1\text{W}$		0.044		
		PVDD=18V, $R_L=8\Omega$, $P_O=1\text{W}$		0.026		
		PVDD=20V, $R_L=6\Omega$, $P_O=1\text{W}$		0.033		
		PVDD=24V, $R_L=8\Omega$, $P_O=1\text{W}$		0.030		
V_n	Output Integrated Noise (rms)	PVDD=18V, $R_L=8\Omega$, A-weighted		73.4		μV
CT	Crosstalk	PVDD=20V, $P_o=1\text{W}$, $f=1\text{kHz}$		79.6		dB
SNR	Signal to Noise Ratio	PVDD=20V, A-weighted, $f=1\text{kHz}$, Maximum power at THD+N <1%,		101.3		

Note 1: Stresses beyond the above “Absolute Maximum Ratings” may cause permanent damage to the device. These are for stress ratings. Functional operation of the device at these or any other conditions beyond those indicated in the operational sections of the specifications is not implied. Exposure to absolute maximum rating conditions for extended periods may remain possibility to affect the device reliability.

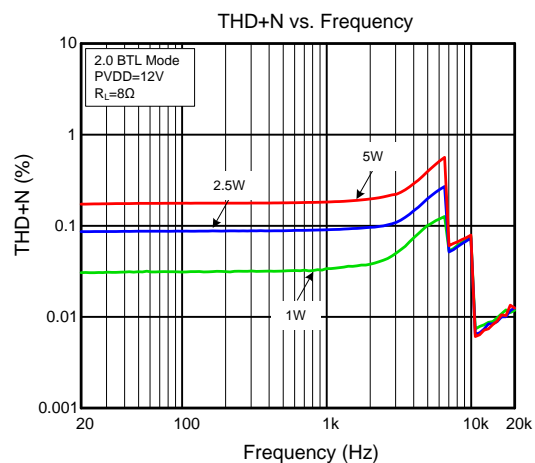
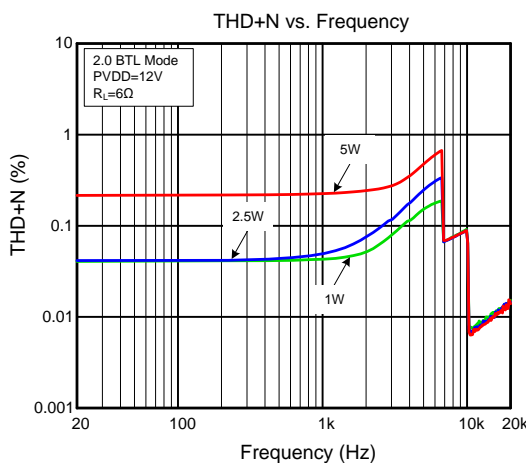
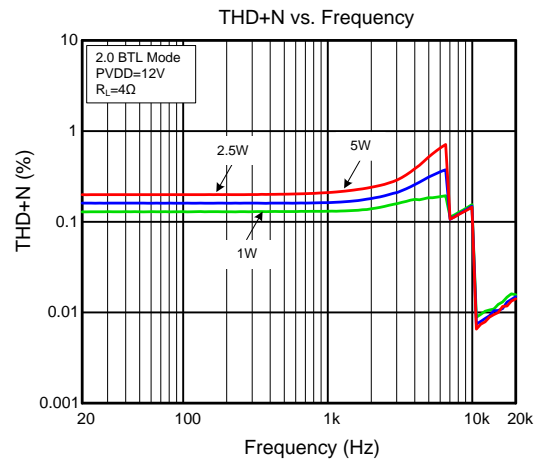
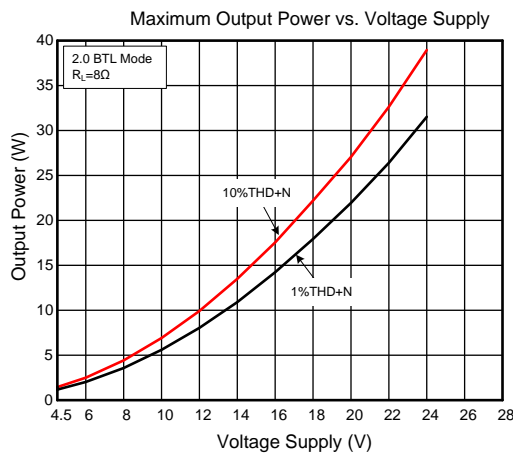
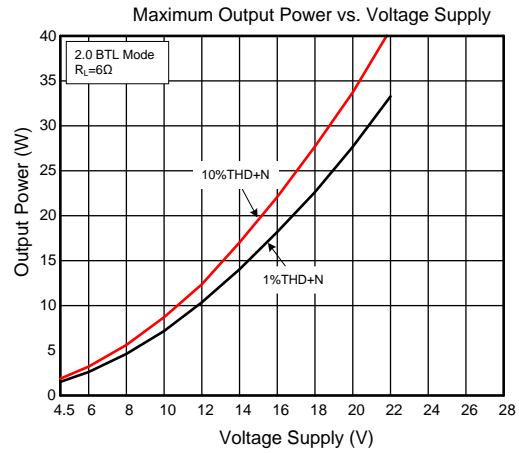
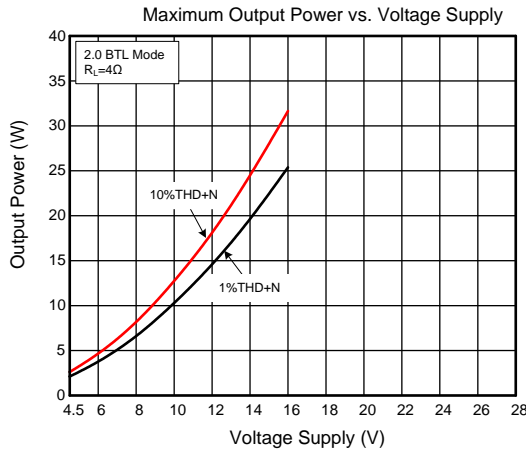
Note 2: DC voltage rating could be derated a little according to the possible switching spike on the switching node if the snubber is not appropriate enough.

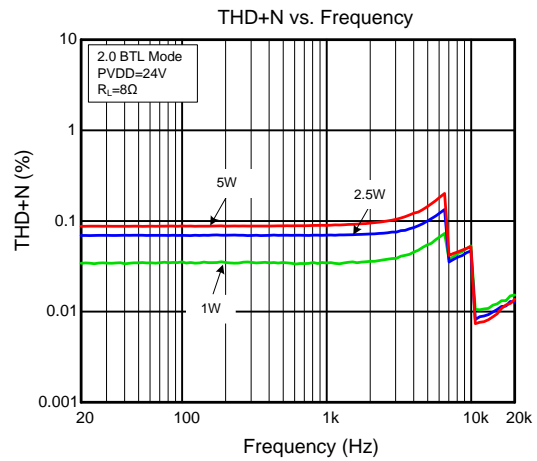
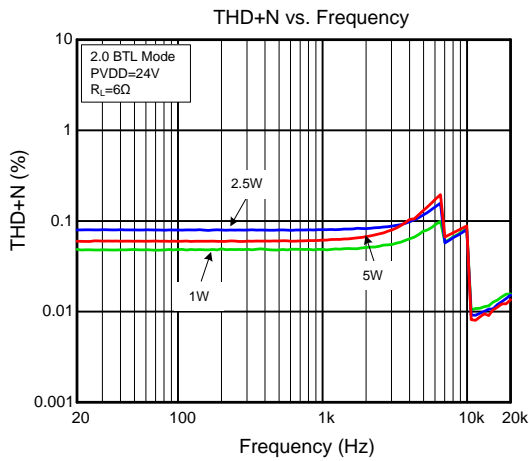
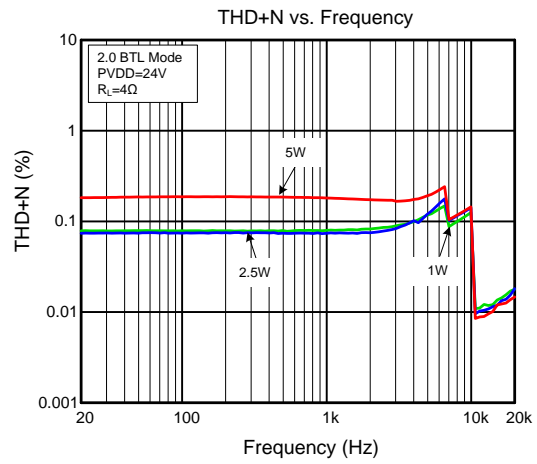
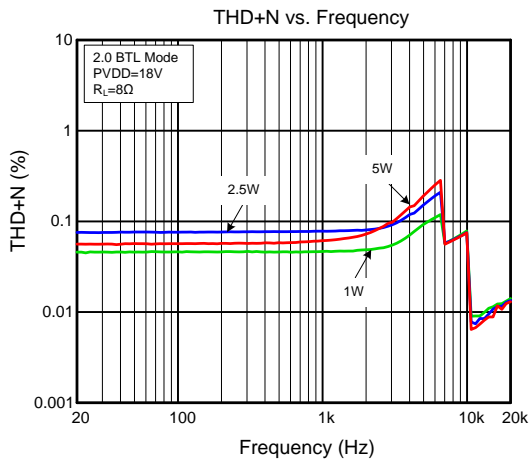
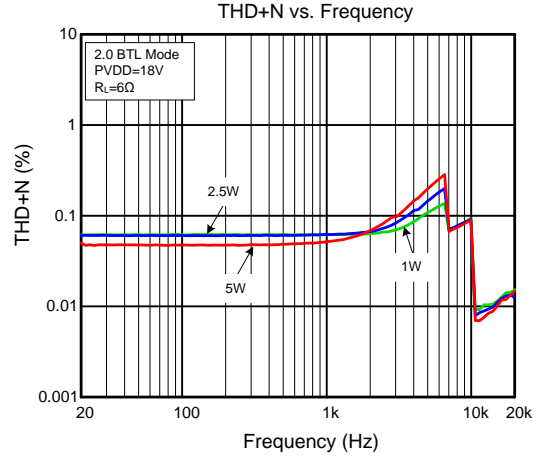
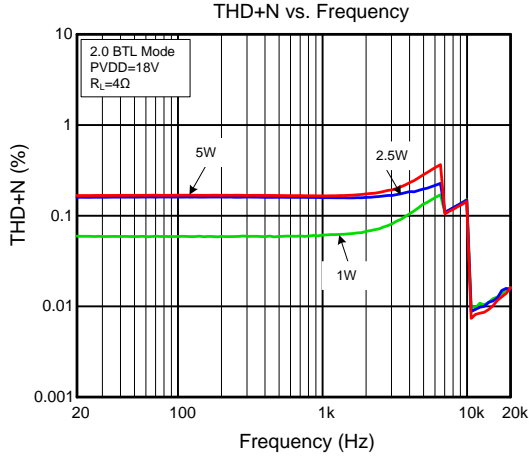
Note 3: θ_{JA} is measured in the natural convection at $T_A = 25^\circ\text{C}$ on a high effective four-layer thermal conductivity test board of JEDEC 51-7.

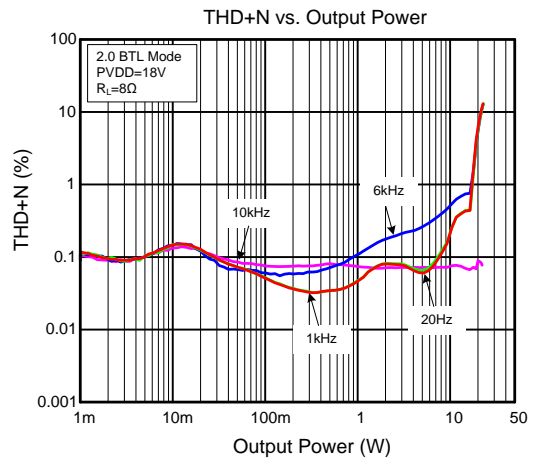
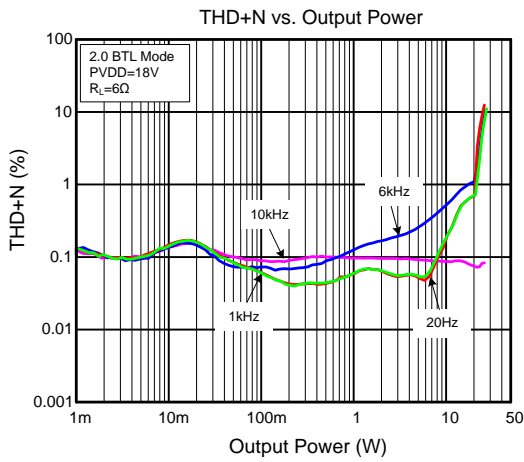
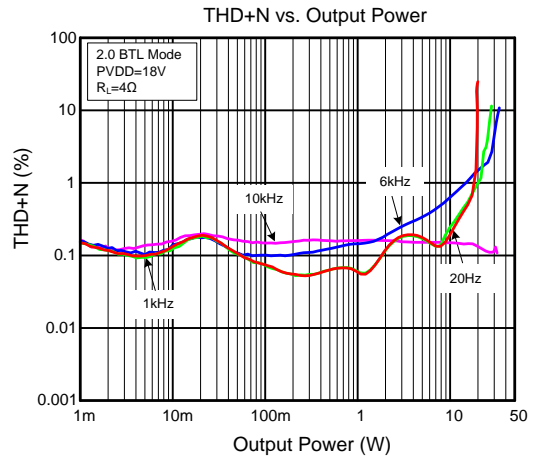
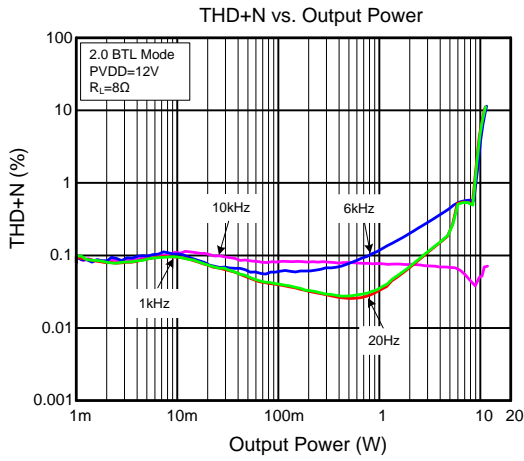
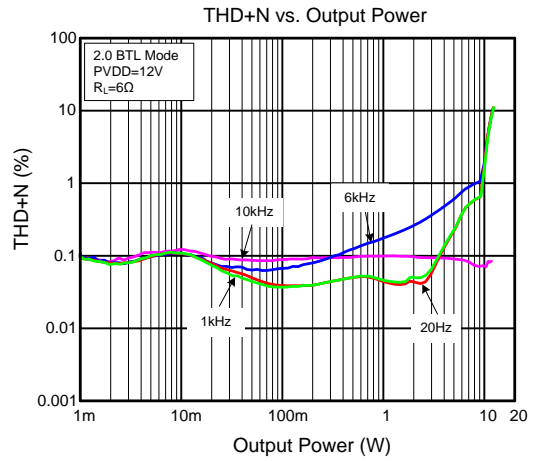
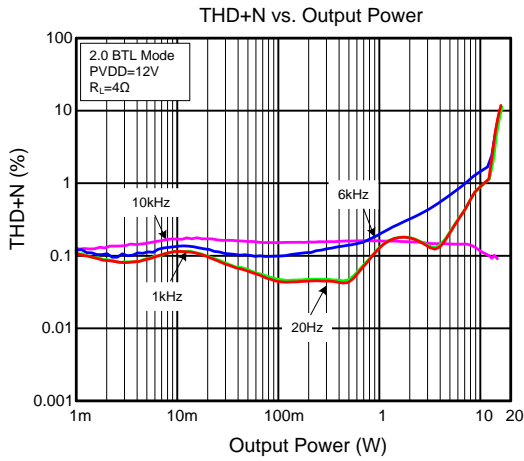
Note 4: Typical value tested on demonstration board is guaranteed by design.

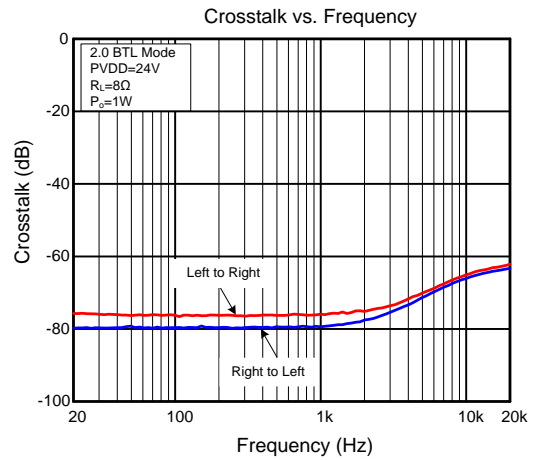
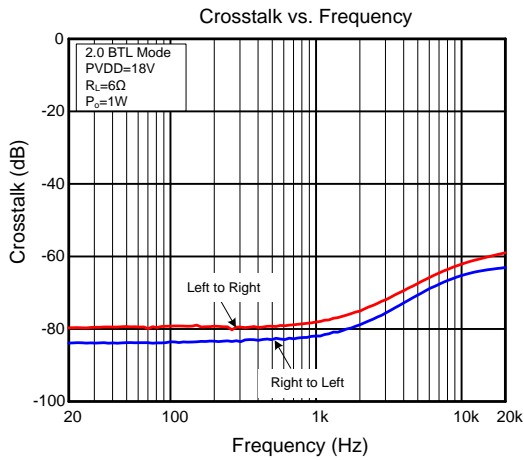
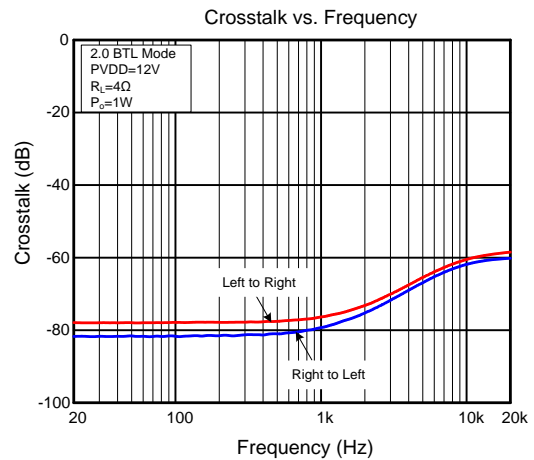
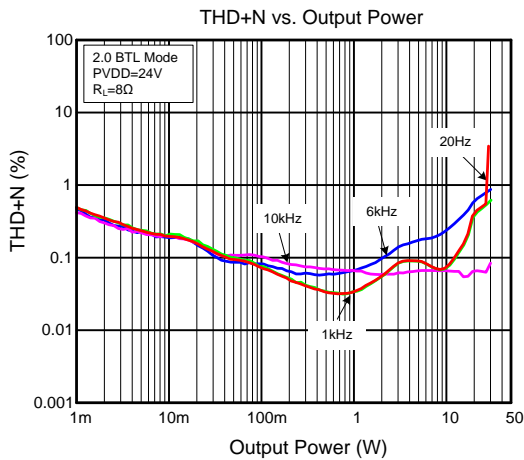
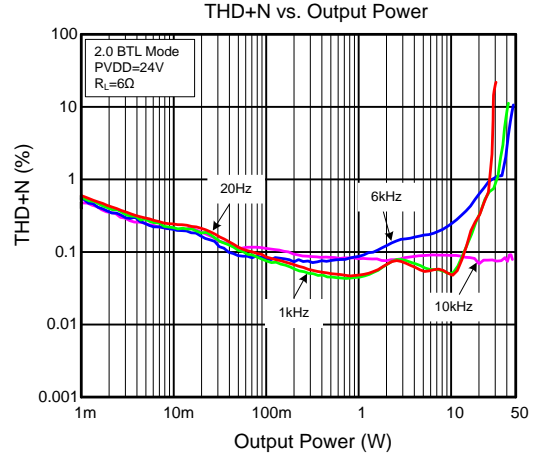
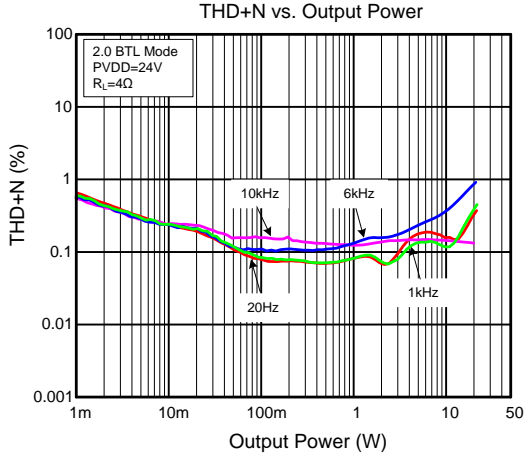
Typical Performance Characteristics

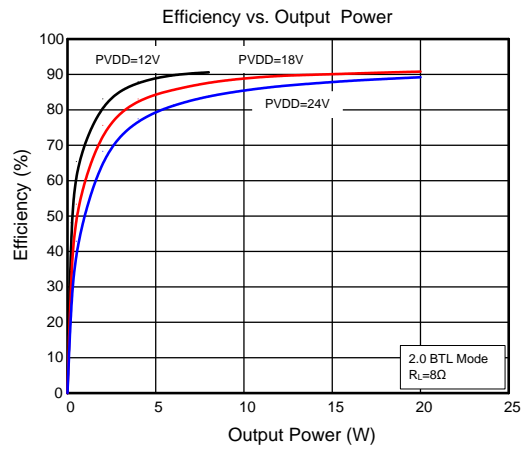
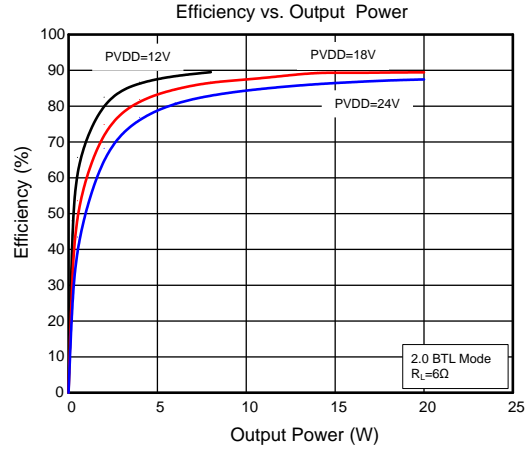
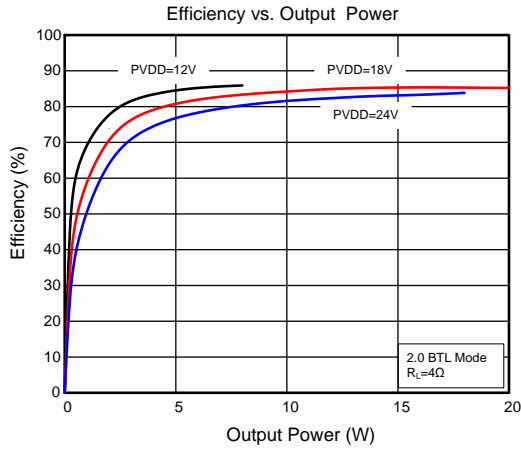
(All Measurements taken at $T_A=25^\circ\text{C}$, $C_{VBS}=22\text{nF}$, $f_s=48\text{kHz}$, AES17 filter, Snubber= $10\Omega+1\text{nF}$, unless otherwise noted.)











DETAILED DESCRIPTION AND THEORY OF OPERATION

Under Voltage Protection and Power on Reset

When power on, the power on reset circuit resets the overload circuit and ensures that all circuits are fully operational when PVDD and AVDD (connected to VDD_IO internally) supply voltage reach 4.0V and 2.7V respectively. A voltage drops below the UVP threshold on AVDD or PVDD results in all half bridge outputs being set in the high impedance state, and the FAULT_B being set to low.

Clock, Auto Detection and PLL

This device is a slave only device. The digital audio processor supports all the sample rates and SCLK rates that are defined in the clock control register.

The DAP only supports a 1fs LRCLK. The clock section uses SCLK or the internal oscillator clock (when SCLK is unstable, out of range, or absent) to produce the internal clock running at 512 or 256 times the PWM switching frequency.

The device has robust clock error handling that uses the built-in trimmed oscillator clock to quickly detect changes or errors. Once the system detects a clock change or error, it will mute the audio and then force PLL to limp using the internal oscillator as a reference clock. Once the clock is stable, the system will revert to normal operation. During this operation, the default volume will be restored in a single step (also called hard unmute). The ramp process can be programmed to ramp back slowly (also called soft unmute) as defined in volume register (0x06).

Serial Data Interface

Serial data is input on SDIN. The PWM outputs are derived from SDIN. The DAP accepts serial data in 16, 18, 20, or 24bit left justified, right justified, and I²S serial data formats.

PWM Section

The device PWM section accepts 24bit PCM data from DAP and output two BTL PWM audio output channels. The PWM section has an adjustable maximum modulation limit of 96.1% to 98.2%.

Serial Interface Control and Timing

The I²S mode is set by writing to register 0x15.

I²S Timing

I²S uses LRCLK to define when the data being transmitted is for the left channel and when it is for the right channel. LRCLK is low for the left channel and high for the right channel. A clock running at 32fs/48fs/64fs is used to clock in data. There is a delay of one cycle from the time the LRCLK changes state to the first bit of data on the data lines. The data is written MSB first and is valid on the rising edge of clock. The DAP masks unused trailing data bit positions.

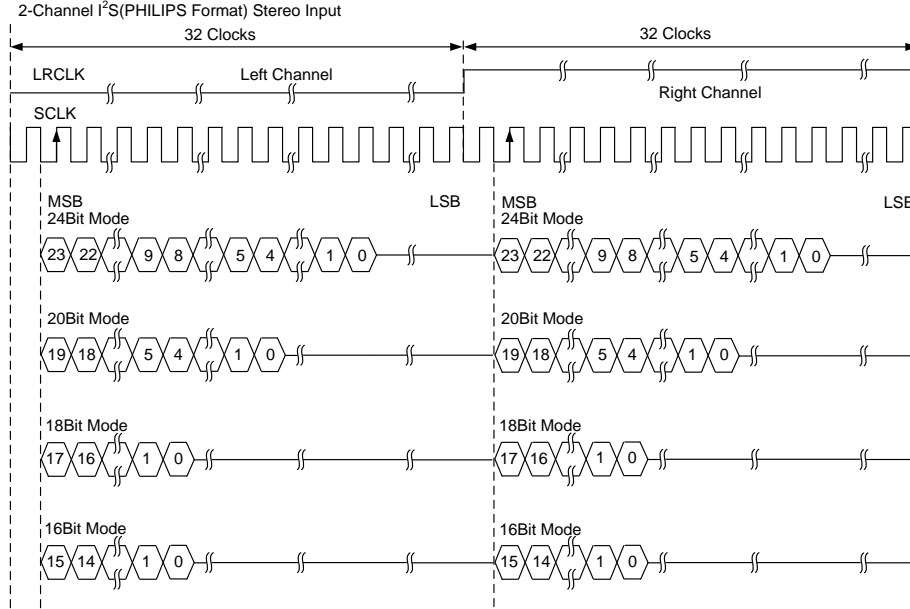


Figure6. I²S 64fs Format

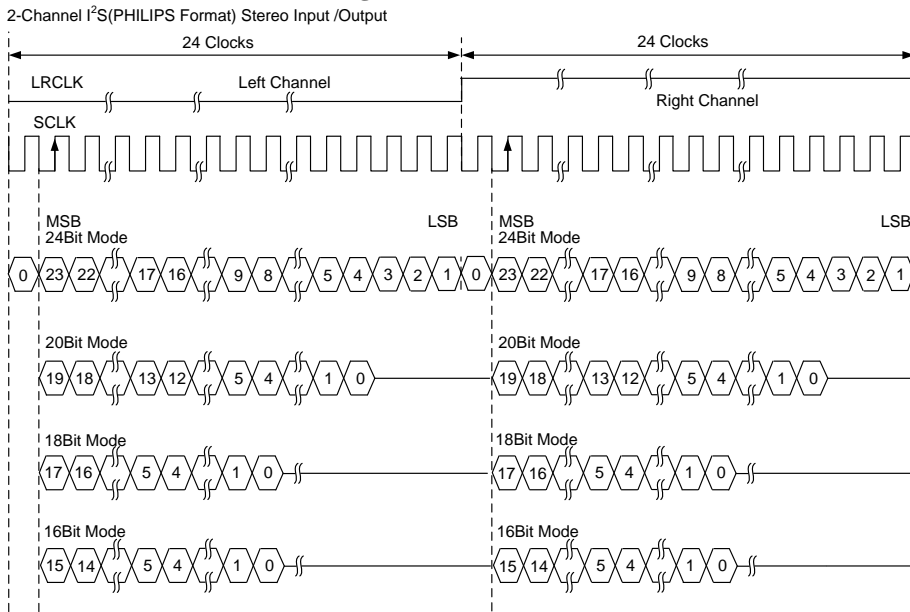


Figure7. I²S 48fs Format

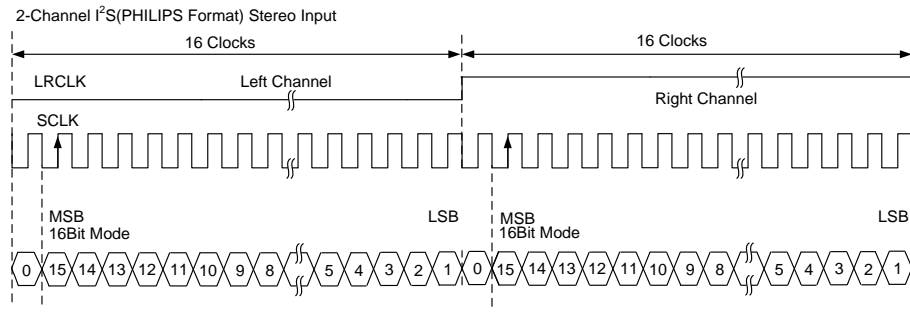


Figure8. I²S 32fs Format

Left Justified

Left Justified (LJ) timing uses LRCLK to define when the data being transmitted is for the left channel and when it is for the right channel. LRCLK is high for the left channel and low for the right channel. A clock running at 32fs/48fs/64fs is used to clock in data. The first bit of data on the data lines at the same time LRCLK toggles. The data is written MSB first and is valid on the rising edge of clock. The DAP masks unused trailing data bit positions.

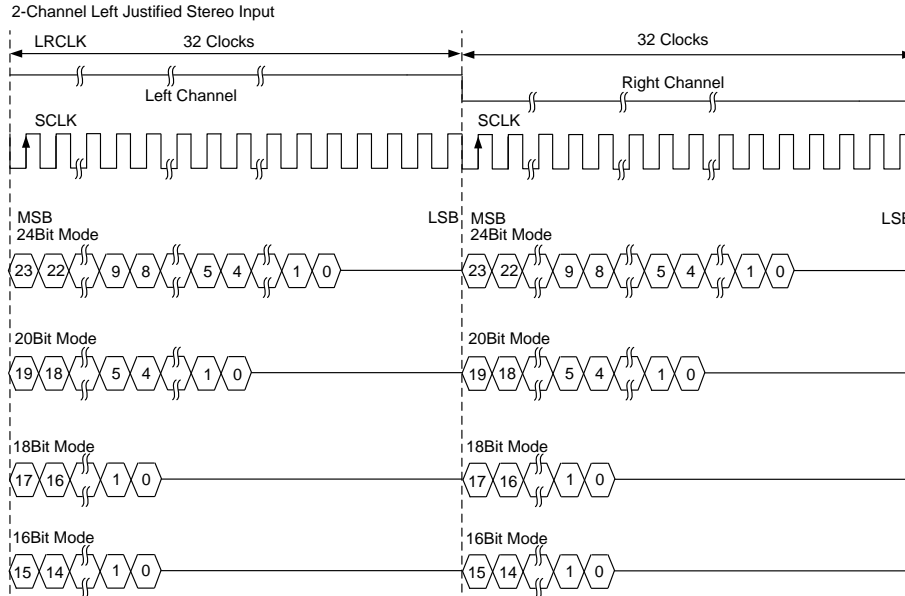


Figure9. Left Justified 64f_s Format

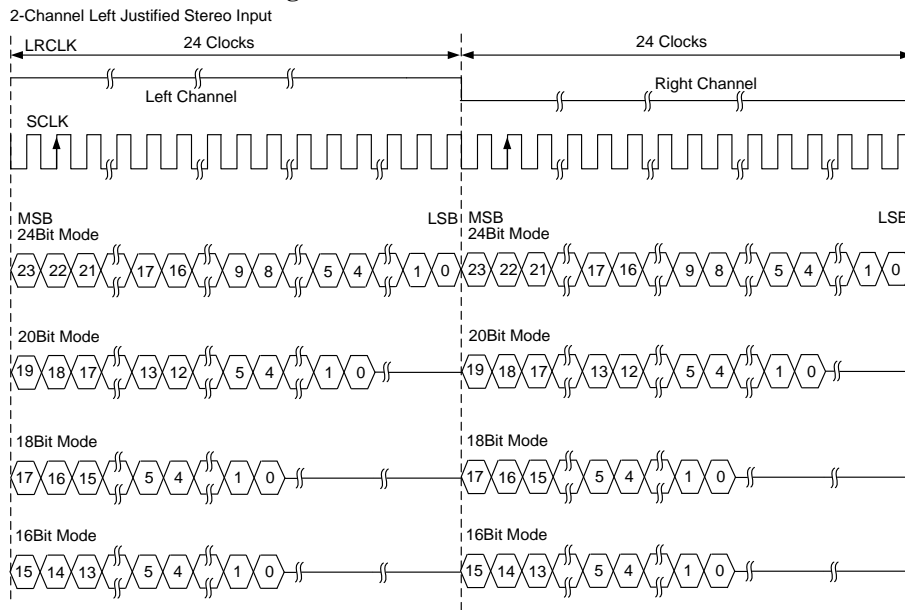


Figure10. Left Justified 48f_s Format

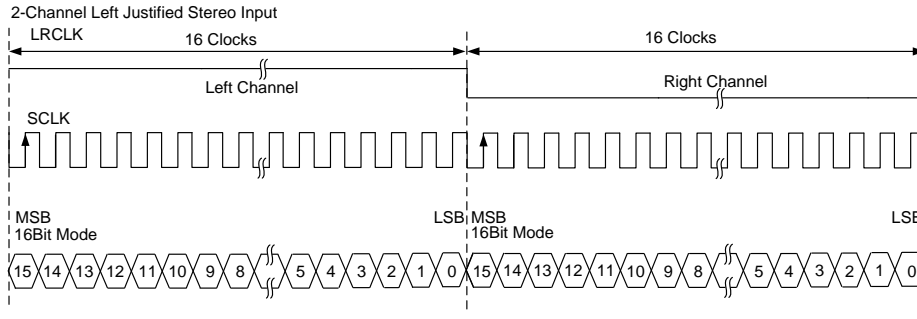


Figure11. Left Justified 32fs Format

Right Justified

Right Justified (RJ) timing uses LRCLK to define when the data being transmitted is for the left channel and when it is for the right channel. LRCLK is high for the left channel and low for the right channel. A clock running at 32fs/48fs/64fs is used to clock in data. The first bit of data on the data 8bit clock periods after LRCLK toggles. The data is written MSB first and is valid on the rising edge of clock. The DAP masks unused trailing data bit positions.

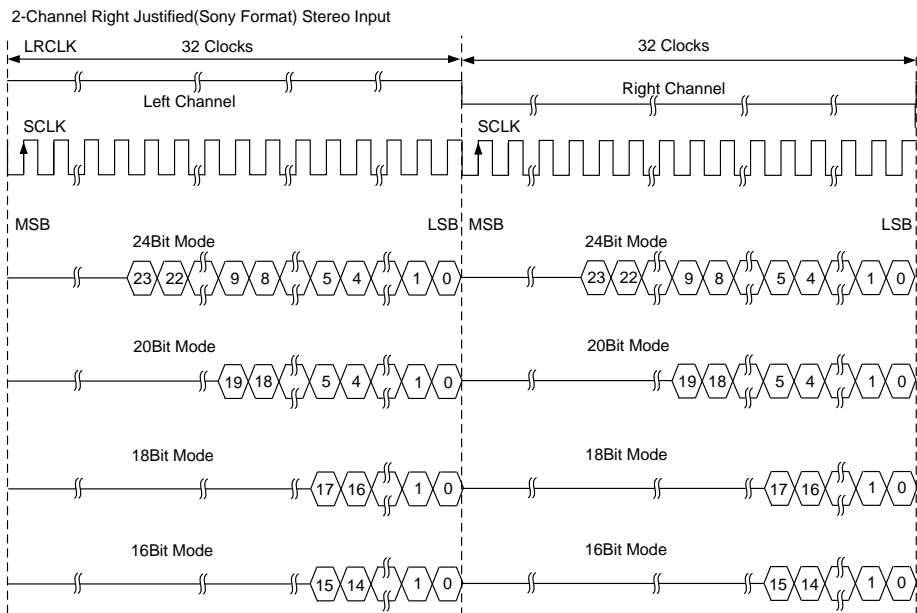


Figure12. Right Justified 64fs Format

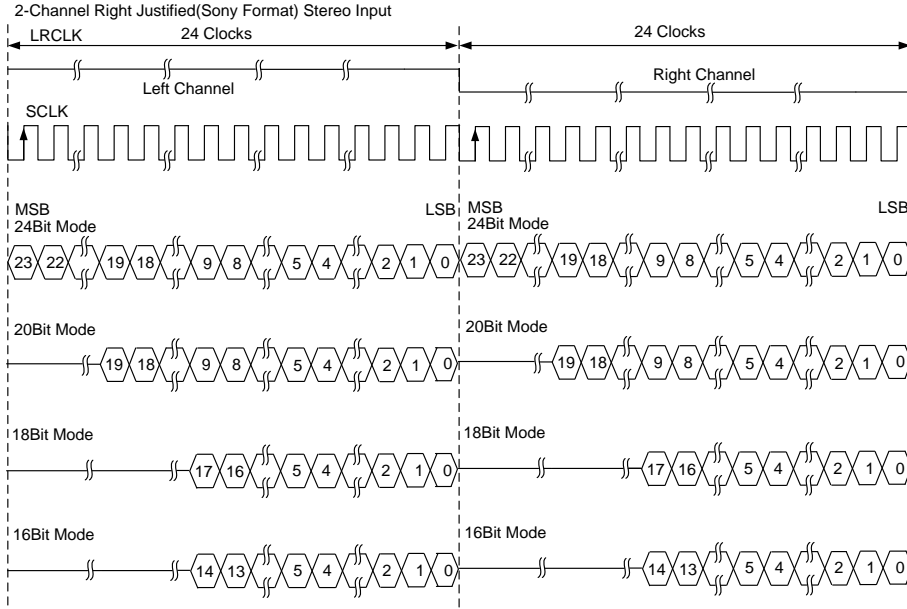


Figure13. Right Justified 48fs Format

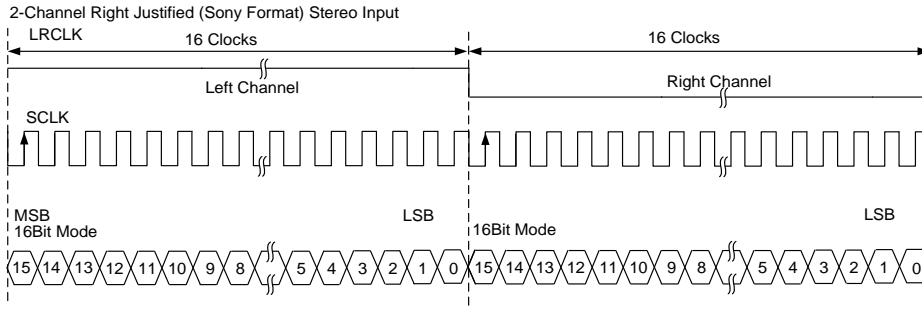


Figure14. Right Justified 32fs Format

I²C Serial Control Interface

The device DAP has a bidirectional I²C interface that compatible with the I²C bus protocol and supports both 100kHz and 400kHz data transfer rates for single and multiple byte write and read operations. The device does not support a multi-master bus or wait state insertion. The I²C control is used to program the registers of the device and to read device status. The device performs all I²C operations without I²C wait cycles.

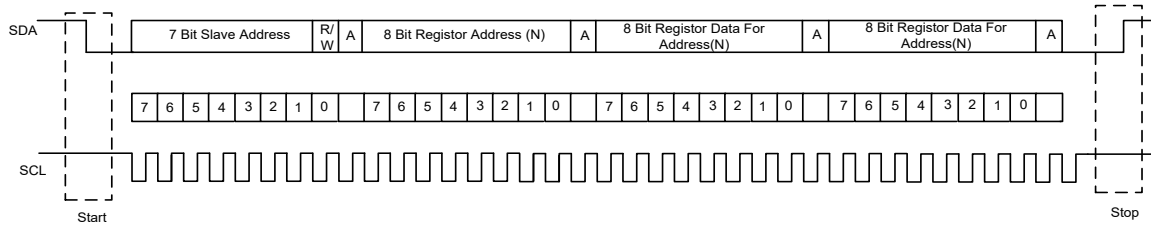


Figure 15. Typical I²C Sequence

There can be many other slave devices on the I²C bus, the master will send a target slave address on the first byte. 7 bits from the 1st to 7th bit of the target slave address byte are used for the slave address. The lowest bit (the R/W bit) defines whether write(1'b0) to the slave device or read(1'b1) from the slave device. The SY6045S will response with the slave address 7'b0101010 if the ADDR_SEL is pulled down or 7'b0101011 if the ADDR_SEL pin is pulled up. So the first byte will be 8'b01010100(0x54) or 8'b01010110(0x56) when the data are written to the SY6045S.

ADDR_SEL pin	I ² C Address
0	0x54
1	0x56

Table 1. I²C Slave Address

I²C Device Address Change Procedure

Write to device address change enable register(0xF8) with value of 0xF9A5A5A5 to enable changing I²C device address. Write to device register 0xF9 with the new address 0x0000 00XX, where XX is the new address. Any write after that should use the new device address XX.

Single and Multiple Byte Transfers

The I²C serial control interface supports both single byte and multiple byte read/write operations for sub addresses 0x00 to 0xFF.

During the multiple byte read operations, the DAP responds with data, a byte at a time, starting at the sub address assigned, as long as the master device continues to response with acknowledges. If a particular sub address does not contain 8*N bits, the unused bits are read as logic 0.

During multiple byte write operations, the DAP compares the number of bytes transmitted to the number of bytes that are required for each specific sub address. For example, if a write command is received for a bi-quad sub address, the DAP expects to receive five 32bit words. If fewer than five 32 bit data words have been received when a stop command (or another start command) is received, the data received is discarded.

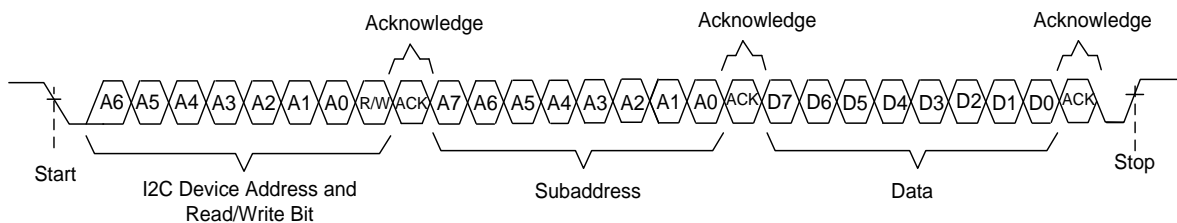


Figure 16. Single Byte Write Transfer

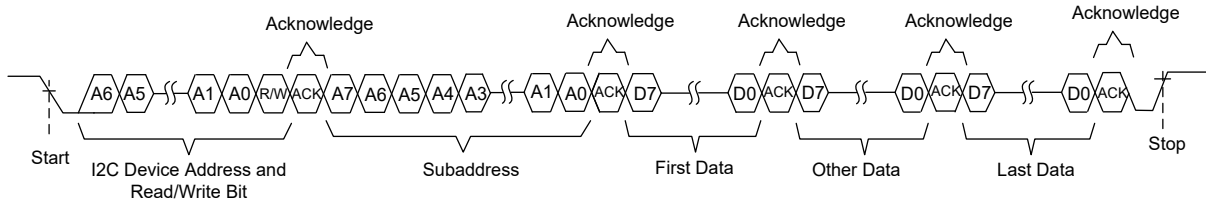


Figure 1. Multiple-Byte Write Transfer

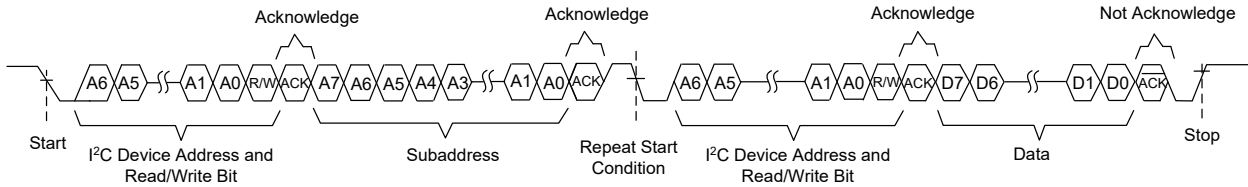


Figure 2. Single Byte Read Transfer

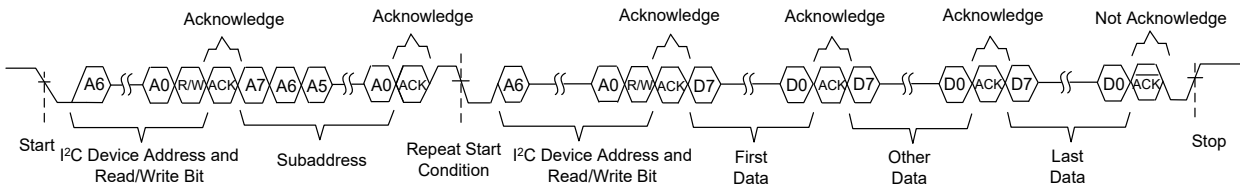


Figure 3. Multiple-Byte Read Transfer

SDATA Generator

The SDATA generator of SY6045S sends out I²S out signal before or after DAP. In order for SDATA out process to stably function, the falling of SCLK should either synchronize or occur ahead of falling or rising of LRCLK. SY6045S has three monitor pins which can be defined to output SDATA signal(0x17, 0x18).

Output Mode and MUX Selection

The device supports two output modes including BTL and PBTL. In BTL mode, the bit 1 of register 0x1E should be set to 1'b0. In parallel BTL mode with OUT_A, OUT_B and OUT_C, OUT_D connected before the LC filter, the bit 1 of register 0x1E should be set 1'b1. If an over current or short condition is detected in either half bridge, all of bridges will be turned off.

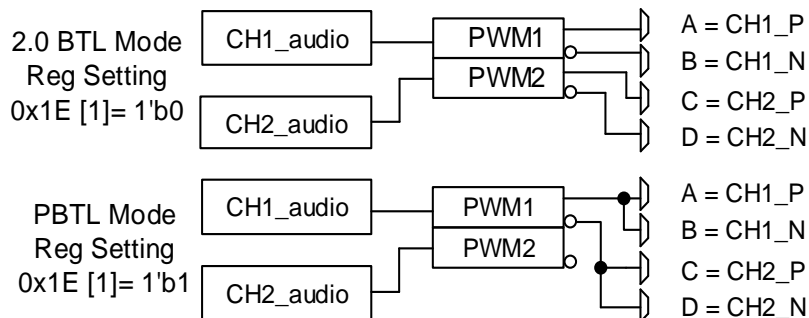


Figure 20. Output Mode and MUX Selection

MIXER

The input channels can be mixed into each output channels with designated gains and polarity. Step size of mixer gain is variable according to the gain level as shown below.

Volume Range (dB)	Step (dB)
≤ -32	-∞
-6 ~ -32	1

+5.5 ~ -5.5	0.5
+18 ~ +6	1

Table 2. Mixing Gain and variable Step

4 mixer gain coefficients M11, M12, M21 and M22 are defined as shown in the equation below. Each mixer gain coefficient stores volume value in dB scale, and the number values versus gain in dB are shown in the Table 3. By default, each input channel connected to each output channel directly; M11 and M22 are set as 0 dB in plus polarity, M12 and M21 are set as -∞ dB.

$$[\text{Output Channels}] = [\text{Mixer Matrix}] \times [\text{Input Channels}]$$

$$\begin{bmatrix} \text{CH1OUT} \\ \text{CH2OUT} \end{bmatrix} = \begin{bmatrix} \text{M11} & \text{M12} \\ \text{M21} & \text{M22} \end{bmatrix} * \begin{bmatrix} \text{CH1IN} \\ \text{CH2IN} \end{bmatrix}$$

Table 3. Serial Mixer Matrix

Refer to the register Address 0x5F in the Appendix.

Mixer Gain			
Index	dB	Index	dB
0x3F	18	0x1F	-4
0x3E	17	0x1E	-4.5
0x3D	16	0x1D	-5
0x3C	15	0x1C	-5.5
0x3B	14	0x1B	-6
0x3A	13	0x1A	-7
0x39	12	0x19	-8
0x38	11	0x18	-9
0x37	10	0x17	-10
0x36	9	0x16	-11
0x35	8	0x15	-12
0x34	7	0x14	-13
0x33	6	0x13	-14
0x32	5.5	0x12	-15
0x31	5	0x11	-16
0x30	4.5	0x10	-17
0x2F	4	0x0F	-18
0x2E	3.5	0x0E	-19
0x2D	3	0x0D	-20
0x2C	2.5	0x0C	-21
0x2B	2	0x0B	-22
0x2A	1.5	0x0A	-23
0x29	1	0x09	-24
0x28	0.5	0x08	-25
0x27	0	0x07	-26
0x26	-0.5	0x06	-27
0x25	-1	0x05	-28
0x24	-1.5	0x04	-29
0x23	-2	0x03	-30
0x22	-2.5	0x02	-31
0x21	-3	0x01	-32
0x20	-3.5	0x00	mute

Table 4. Mixer Gain

PRE-PROCESSING

32 Bits 6.26 Number Format

All filter coefficients are 32bit coefficients using a 6.26 number format. 6.26 number format means that there are 6 bit to the left of the decimal point and 26 bits to the right of the decimal point.

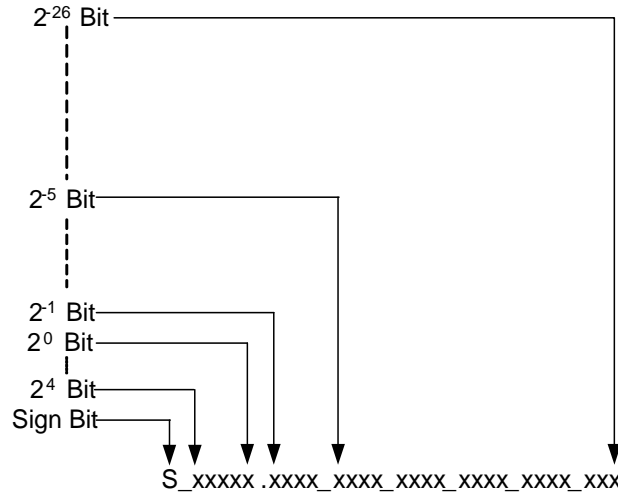


Figure 21. 6.26 Number Format

If the most significant sign bit is logic 0, then the number is a positive number, the weighting shown yields the correct number.

If the most significant sign bit is logic 1, then the number is a negative number. Every bit must be inverted, then add 1 to the result, and then the weighting shown in Figure 22.

$$(1 \text{ or } 0) \times 2^4 + \dots (1 \text{ or } 0) \times 2^0 + \dots (1 \text{ or } 0) \times 2^{-1} + \dots (1 \text{ or } 0) \times 2^{-4} + \dots (1 \text{ or } 0) \times 2^{-26}$$

Figure 22. Conversion weighting Factors—6.26 Format to Floating Point

Bi-quad Structure

Each Bi-quad has a 2nd IIR filter structure and has three coefficients on the direct path (b0, b1, b2) and 2 coefficients on feedback path (a1, a2) as shown in the diagram.

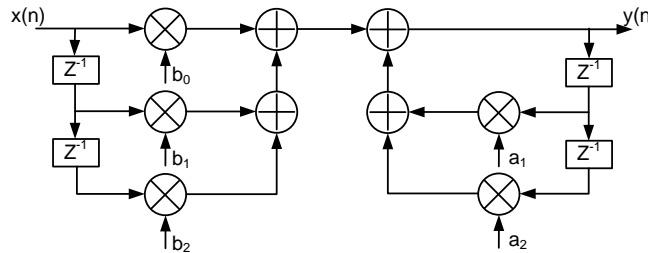


Figure 23. Bi-Quad Filter Structure

There are eighteen Bi-Quad filters linked serially in one channel. The Bi-Quad filters can be configured differently for each filter. The BQ coefficients can be separated for the two channels. To download the BQ coefficient to SY6045S, set bit 0 of register 0x03 first, then select the channel in register 0x03. BQn(n is from 0 to 17) of channel 1 and channel 2 can be separately enabled or disabled. For example, BQ1 of channel 1 is enabled while BQ1 of channel 2 is disabled. As shown in Figure 24, first three filters can be configured as loudness control with loudness gain, and last four filters can be configured as SPEQ with SPEQ control.

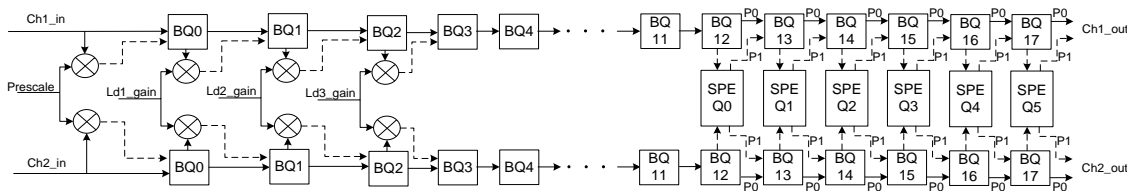


Figure 24. Bi-Quad Filter Chain



Filter coefficients are 32bit binary numbers and can be downloaded through I²C interface. Write actual coefficient values to 20 register addresses in the range from 0x2F to 0x40 to download Bi-Quad filter coefficients to SY6045S. Refer to table 5. The amount of bytes for each register address is variable. For example, 20 bytes are for a BQ filter while 4 bytes are for the Pre-scaler.

The enable/disable operation of these Bi-Quad filters can be made by configuring the bits in register addresses of 0x25~0x2A. When BQn(n from 12 to 17) is configured as SPEQ or SPEQ Limit in register 0x29 and 0x2A, the BQn of both channels are functional as SPEQ or SPEQ Limit together, which can't be separately enabled or disabled for each channel. When BQn is configured as EQn, the EQn can be separately enabled or disabled for each channel.

I ² C address	0x2F	0x30	0x31	0x32
Byte count	20	20	20	20
Description	BQ0 of CH1/2	BQ1 of CH1/2	BQ2 of CH1/2	BQ3 of CH1/2
I ² C address	0x33	0x34	0x35	0x36
Byte count	20	20	20	20
Description	BQ4 of CH1/2	BQ5 of CH1/2	BQ6 of CH1/2	BQ7 of CH1/2
I ² C address	0x37	0x38	0x39	0x3A
Byte count	20	20	20	20
Description	BQ8 of CH1/2	BQ9 of CH1/2	BQ10 of CH1/2	BQ11 of CH1/2
I ² C address	0x3B	0x3C	0x3D	0x3E
Byte count	20	20	20	20
Description	BQ12 of CH1/2	BQ13 of CH1/2	BQ14 of CH1/2	BQ15 of CH1/2
I ² C address	0x3F	0x40	0x41	0x42
Byte count	20	20	12	12
Description	BQ16 of CH1/2	BQ17 of CH1/2	Coefficients of SPEQ0	Coefficients of SPEQ1
I ² C address	0x43	0x44	0x45	0x46
Byte count	12	12	12	12
Description	Coefficients of SPEQ2	Coefficients of SPEQ3	Coefficients of SPEQ4	Coefficients of SPEQ5

Table 5. Address of Coefficients for Bi-Quad Filter Chain

Loudness Control

The frequency characteristics can be compensated in low volume level to fit the acoustic characteristics of human ears with Loudness control. The three coefficient of loudness can be downloaded through writing the 12 bytes of the register 0x57. Four bytes are for one BQ loudness gain. The loudness gain values are shared for both channel 1 and channel 2.

Register Address 0x57	byte count 12	bits[95:64]	3'b000,ld3_gain[28:0]
		bits[63:32]	3'b000,ld2_gain[28:0]
		bits[31:0]	3'b000,ld1_gain[28:0]

Table 6. Loudness Gain

Super Parametric Equalizer

The frequency characteristics based on input signal level can be compensated to fit the acoustic characteristics of human ears with SPEQ function.

There are a Bi-Quad filter coefficient and three additional coefficients for SPEQ. The three additional coefficients are related to gain and threshold. The Bi-Quad filter coefficient can be downloaded through writing 0x3B~0x40. The three additional coefficients can be downloaded through writing the 12 bytes of the register 0x41~0x46. There are four bytes for one coefficient. The SPEQ coefficients are shared for both channel 1 and channel 2.

It can be configured as SPEQ Limit function as well. The frequency characteristics at some frequency point can't be limited to no more than the threshold with SPEQ Limit function. The way to download the coefficient is the same as SPEQ.

VOLUME & DYNAMIC RANGE CONTROL

Volume Control

The volume register 0x07, 0x08, and 0x09 correspond to master volume, channel 1 volume, and channel 2 volume.

Master Volume Control

Master volume – 0x07 (default is mute, 0x00)

Step	Range
0.5 dB	0 ~ -126 dB

Table 7. Master Volume Steps

Channel Volume Control

Channel-1 volume – 0x08 (default is 0 dB, 0x9F)

Channel-2 volume – 0x09 (default is 0 dB, 0x9F)

Step	Range
0.5 dB	+48 ~ -79 dB

Table 8. Channel Volume Steps

Volume Fine Control and offset

Fine control for volume is +0.125dB step up to maximum +7.875dB boost. Step size is 0.125dB. It has high accurate step size and provides an offset gain for the channel volume and master volume.

Step	Range
0.125 dB	0 ~ +7.875 dB

Table 9. Volume Fine Control Steps

Mute and Soft Volume Change

The chip enters mute state by setting soft mute flag of register Address 0x06. 0x06[3] is master mute flag for both left channel and right channel. 0x06[0] is individually mute flag for left channel while 0x06[1] is individually mute flag for right channel. With soft mute, the volume gradually increases or decreases when mute is turned off or on respectively.

Dynamic Range Control

The DRC scheme has 4 DRC blocks, of which one ganged DRC for the high-band left/right channels, one ganged DRC for the mid-band left/right channels, one ganged DRC for the low-band left/right channels, and one DRC for the mixer output of DRC1, DRC2 and DRC3.

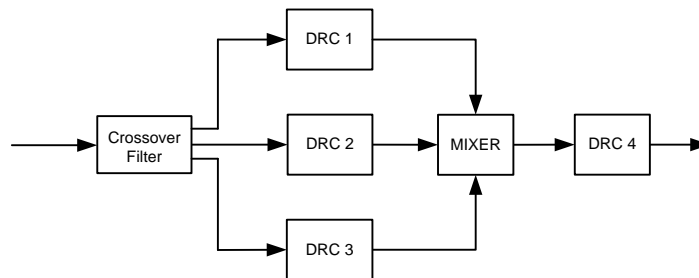


Figure 25. DRC Structure

There are 16 BQs for all of DRC bands, and the amplitude of each DRC output can be adjusted by corresponding gain control. The outputs of three bands DRC are mixed and followed by DRC4 which produces the output data with the fully controlled dynamic range. For detailed setting of the DRC registers, please refer to the system register addresses in Table 10.

I ² C address	0x47	0x48	0x49	0x4A	0x4B	0x4C	0x4D	0x4E
--------------------------	-------------	-------------	-------------	-------------	-------------	-------------	-------------	-------------

byte count	20	20	20	20	20	20	20	20
description	BQ0 of DRC	BQ1 of DRC	BQ2 of DRC	BQ3 of DRC	BQ4 of DRC	BQ5 of DRC	BQ6 of DRC	BQ7 of DRC
I ² C address	0x4F	0x50	0x51	0x52	0x53	0x54	0x55	0x56
byte count	20	20	20	20	20	20	20	20
description	BQ8 of DRC	BQ9 of DRC	BQ10 of DRC	BQ11 of DRC	BQ12 of DRC	BQ13 of DRC	BQ14 of DRC	BQ15 of DRC

Table 10. Coefficient Register Map for Dynamic Range Control

The DRC input/output diagram is shown in Figure 26.

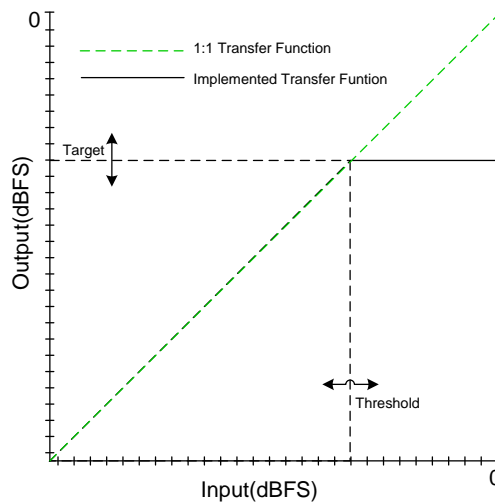


Figure 26. Dynamic Range Control

Power Meter

The power meter measures signal's energy of internal, which can be used to study the power profile. It can be configured by sending value of energy through register address 0x97 and parts of 0x98. Read the 10-bits value in dB through register address 0x88 while read the 23-bits linear value through register address 0x99.

DC Protection

The system from outputting DC signal can cause a speaker unit burnt. There are two special DC blocking filters integrated inside SY6045S to remove the DC component, the cut off frequency is less than 1Hz.

A PWM DC detector is also employed. When there is a DC component in the output, it sets PWM DC error flag of address 0x02 to high. The external controller may monitor this error flag and reset the chip by writing register 0x0F to assert a soft reset. The threshold of PWM DC detection at address 0x19 can be set to decide the level of DC monitoring for both Ternary and BD mode.

Memory Checksum

There are EQ and DRC coefficients checksum functions in SY6045S. It will calculate the EQ checksum data and DRC checksum data after the coefficients are written into the RAM. If the checksum key from internal checksum block is the same as the checksum key register value which is written by user, it can pass. If not, it will report PBQ checksum error or DRC checksum error. The coefficients are stored in 32-bit units, so the checksum key is also 32 bit. The reference value of memory checksum is the bitwise XOR of all EQ coefficients or DRC coefficients.

The checksum key registers are 0x9A (EQ checksum key of Channel 1), 0x9B(DRC checksum key) and 0x9C(EQ checksum key of channel 2).

The checksum key is calculated by the following equation.

$bq_ch1_checksum_key[31:0]=bq0_b0[31:0]^{\wedge}bq0_b1[31:0]^{\wedge}bq0_b2[31:0]^{\wedge}bq0_a1[31:0]^{\wedge}bq0_a2[31:0]^{\wedge}.....$
 $^{\wedge}bq17_b0[31:0]^{\wedge}bq17_b1[31:0]^{\wedge}bq17_b2[31:0]^{\wedge}bq17_a1[31:0]^{\wedge}bq17_a2[31:0]^{\wedge}speq0_th[31:0]^{\wedge}speq0_coef1[31:0]$
 $^{\wedge}...speq0_coef2[31:0]^{\wedge}.....^{\wedge}speq5_th[31:0]^{\wedge}speq5_coef1[31:0]^{\wedge}speq5_coef2[31:0];$

$bq_ch2_checksum_key[31:0]=bq0_b0[31:0]^{\wedge}bq0_b1[31:0]^{\wedge}bq0_b2[31:0]^{\wedge}bq0_a1[31:0]^{\wedge}bq0_a2[31:0]^{\wedge}.....^{\wedge}$
 $bq17_b0[31:0]^{\wedge}bq17_b1[31:0]^{\wedge}bq17_b2[31:0]^{\wedge}bq17_a1[31:0]^{\wedge}bq17_a2[31:0];$

$drc_checksum_key[31:0]=drc_bq0_b0[31:0]^{\wedge}drc_bq0_b1[31:0]^{\wedge}drc_bq0_b2[31:0]^{\wedge}drc_bq0_a1[31:0]^{\wedge}drc_bq0_a1[$
 $31:0]^{\wedge}.....^{\wedge}drc_bq15_b0[31:0]^{\wedge}drc_bq15_b1[31:0]^{\wedge}drc_bq15_b2[31:0]^{\wedge}drc_bq15_a1[31:0]^{\wedge}drc_bq15_a1[31:0]^{\wedge}$
 $d1_gain[31:0]^{\wedge}ld2_gain[31:0]^{\wedge}ld3_gain[31:0];$

Dual Function Terminal

ADDR_SEL pin is an input pin to define the slave I²C address at normal condition. But it also can be configured into an output pin to report IC fault(0x19). If so, when there is a IC fault, this pin will be pulled down.

FAULT_B pin is an input pin to turn off the PWM signal path when pulled down. It also can be defined as an output pin to report IC fault(0x19). If so, when there is a IC fault, this pin will be pulled down.

Load Detection

Load detection is a protection scheme which detects the load's connectivity to the power stage (open load, short load or Normal). If the detected resistance of the load is larger than the open load threshold(about 91Ω), it will report open load error, while smaller than the short load threshold(about 1.8Ω), as in table 11 shows. Otherwise, it will report normal load. The load detection function is enabled by the bit 0 of 0x23(1'b0:disable;1'b1:enable).

Load resistance(R _L)	Error status
R _L >91Ω	Open load error
R _L < 1.8Ω	Short load error
1.8Ω≤R _L ≤91Ω	Normal load.

Table 11. Load Detection Threshold

The load detection control register is 0x23, sld_old_det_en is used to enable LD detection, active high. If sld_old_try_en is low, the chip will do the load detection only at the first time when 0x00 is written into 0x22(exit shutdown). But if it is high, the chip will do the load detection each time when 0x00 is written into 0x22(exit shutdown).

If the load detection is enabled in register 0x23, after 0x00 is written into 0x22, the load detection error status will be reported in register 0x0A,if short_load_err_flag is high, it means the resistance between output is smaller than 1.8Ω. If it is low, the resistance is larger than 1.8Ω. Ifopen_load_err_flag is high, it means the resistance between output is larger than 91Ω. If it is low, the resistance is smaller than 91Ω. If both are low, it means the load is normal, not open or shorted.

Set the load detection register:

- (1). Enable the load detection (0x23[0]=1'b1) with other initial setting;
- (2). Exit shutdown (0x22=0x00);
- (3). If it is normal load (0x0A=0x00) or open load (0x0A=0x02), the chip will start up. If it is short load (0x0A=0x01), the chip will not start up to avoid big current and noise.

Recommended Command Sequences

Power up & Initialization Sequence

- 1) ramp up VDD_IO to at 3.3V and ramp PVDD to at least 4.5V.
- 2) drive SCLK to its desired state, drive RST_B=0 at least 0.1ms, then drive RST_B=1, and wait at least 0.5ms.
- 3) Configure the DAP via I²C
- 4) Configure remaining registers
- 5) Exit shutdown(0x22=0x00).

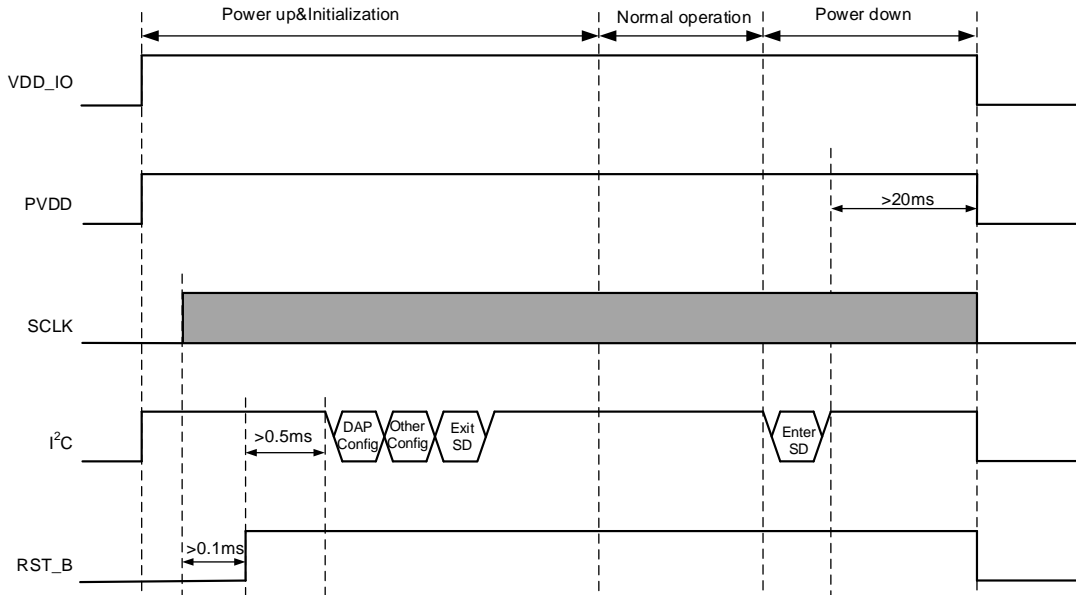


Figure27. Recommended Command Sequence

Power down Sequence

- 1) Enter shutdown(0x22=0x30).
- 2) Wait at least 20 ms.
- 3) Ramp down VDD_IO and PVDD.

APPENDIX
Configuration Register Summary

Sub-address	Register name	Bytes	Contents	Initialization value
0x00	Clock control register	1	brt_sel, u[6:5], fs_cfg_manual_en, fs_rate_cfg[1:0], fs_rate_det[1:0]	0x1A
0x01	Device ID register	1	DEV_ID_REG[7:0]	0x25
0x02	Error status register	1	pbq_check_error, drc_check_error, sclk_err, lrclk_err, pwm_dc_error, short_fault, oc_fault, otuv_fault	0x00
0x03	System control register 1	1	dsp_force_reset_en, dsp_soft_reset_en, rd_bq_coef_channel_sel, soft_reset_en, fade_en, ram_ch1_en, ram_ch2_en, i2c_access_coef_ram_en	0x5F
0x04	System control register 2	1	dyn_off_spec_en, avdd_uv_rst_en, dc_en_pre, eq_enable, dc_en_post, mixer_en, pm_en, loudness_en	0x9E
0x05	System control register 3	1	delay_line_lgth[4:0], sold_rate_sel[1:0], a_sel_mode_reg	0x7C
0x06	Soft mute register	1	u[7:6], i2c_access_ram_mute_stby_en, hard_soft_umute, mvol_mute, u[2], dvol_mute_r, dvol_mute_l	0x30
0x07	Master volume	1	mvol[7:0]	0x00(mute)
0x08	Channel 1 vol	1	dvol_l[7:0]	0x9F(0dB)
0x09	Channel 2 vol	1	dvol_r[7:0]	0x9F(0dB)
0x0A	Error status register 2	1	u[7:2], open_load_err_flag, short_load_err_flag	0x00
0x0B	mvol_fine_tune	1	u[7:6], vol_fine_tune[5:0]	0x00
0x0C~0x0E	N/A	1	Reserved	0x00
0x0F	DC soft reset Register	1	u[7:5], dsp_soft_reset, u[3:1], dc_soft_reset	0x00
0x10	Modulation limit register	1	pwm_mod_limit_max[3:0], pwm_mod_limit_min[3:0]	0x77
0x11	PWM OUTA delay	1	pwm_phaseoffset1[7:0]	0x00
0x12	PWM OUTB delay	1	pwm_phaseoffset2[7:0]	0x00
0x13	PWM OUTC delay	1	pwm_phaseoffset3[7:0]	0x00
0x14	PWM OUTD delay	1	pwm_phaseoffset4[7:0]	0x00
0x15	I2S Control	1	u[7], i2s_sclk_inv, i2s_lr_polarity, i2s_enable, i2s_fmt[1:0], i2s_vbits[1:0]	0x10
0x16	DSP Control Register1	1	fir_roll_off_sel[2:0], dsp_fade_time_sel[1:0], ch1_en, ch2_en, u[0]	0x06
0x17	Monitor Config1	1	mon0_en, mon1_en, mon2_en, sda_out_loc, monitor0_cfg[3:0]	0x00
0x18	Monitor Config2	1	monitor1_cfg[3:0], monitor2_cfg[3:0]	0x00
0x19	PWM DC Threshold	1	u[7], open_drain_faultb_en, adr_faultb_output_en, fault_b_ctrl, threshold_sel[3:0]	0x05
0x1A	N/A	1	Reserved	0x00
0x1B	Short Control Reg	1	short_try_en, fault_clr_interval[2:0], second_phase_en, retry_interval[2:0]	0xBD
0x1C	FAULT_O_TIME	1	u[7:4], bknd_err[3:0]	0x02
0x1D	N/A	1	Reserved	0x00
0x1E	OP_MODE	1	u[7:5], fs_rate_invalid_shdn_en, i2c_access_ram_ctl_manual, pbt_l_digital_en, pbt_l_en, ternary_mode_en	0x05
0x1F	Checksum Control Register	1	u[7:3], pwm_dc_det_en, pbq_checksum_en, drc_checksum_en	0x00
0x20	Input MUX register	1	i2s_din_sel[1:0], u[5:0]	0x00
0x21	DSP control register2	1	dsp_amute_len[2:0], dsp_amute_en, dsp_amute_flag_ch1, dsp_amute_flag_ch2, u[1:0]	0x00
0x22	PWM Control register	1	u[7:6], enter_all_shutdown, enter_all_standby, u[3:0]	0x30
0x23	FaultSelect Register	1	u[7], fault_times_sel[2:0], poweron_short_det_en, sld_old_try_en, short_mask_oc_en, sld_old_det_en	0x12
0x24	N/A	1	Reserved	0x00
0x25	CH1_EQ_CTRL1	1	ch1_eq_en[15:14], ch1_eq_en[5:0]	0x00
0x26	CH1_EQ_CTRL2	1	ch1_eq_en[13:6]	0x00
0x27	CH2_EQ_CTRL1	1	ch2_eq_en[15:14], ch2_eq_en[5:0]	0x00
0x28	CH2_EQ_CTRL2	1	ch2_eq_en[13:6]	0x00
0x29	SPEQ_CTRL_1	1	ch1_eq_en[17:16], ch2_eq_en[17:16], bq17_ctrl[1:0], bq16_ctrl[1:0]	0x00
0x2A	SPEQ_CTRL_2	1	bq15_ctrl[1:0], bq14_ctrl[1:0], bq13_ctrl[1:0], bq12_ctrl[1:0]	0x00
0x2B	SPEQ_CTRL_3	1	u[7:1], speq_det_method[0]	0x00
0x2C	PRESCALER	2	prescaler[15:0]	0x7FFF
0x2D	POSTSCALER	2	postscaler[15:0]	0x7FFF
0x2E	N/A	1	Reserved	0x00
0x2F~0x40	bqn(n=0~17)	20	bqn_b0[31:0]	0x0400 0000

			bqn_b1[31:0]	0x0000 0000
			bqn_b2[31:0]	0x0000 0000
			bqn_a1[31:0]	0x0000 0000
			bqn_a2[31:0]	0x0000 0000
0x41~0x46	speqn_coef(n=0~5)	12	speqn_th[31:0]	0x0020 0000
			speqn_coef1[31:0](p0)	0x0400 0000
			speqn_coef2[31:0](p1)	0x0200 0000
0x47~0x56	drc_bqn(n=0~15)	20	drc_bqn_b0[31:0]	0x0400 0000
			drc_bqn_b1[31:0]	0x0000 0000
			drc_bqn_b2[31:0]	0x0000 0000
			drc_bqn_a1[31:0]	0x0000 0000
			drc_bqn_a2[31:0]	0x0000 0000
0x57	loudness	12	ld1_gain[31:0]	0x4000 0000
			ld2_gain[31:0]	0x4000 0000
			ld3_gain[31:0]	0x4000 0000
0x58~0x5C	N/A	1	Reserved	0x00
0x5D	speq_atk_rel_tc_1	18	u[143], speq5_atk_tc[22:0]	0x00 0800
			u[119], speq4_atk_tc[22:0]	0x00 0800
			u[95], speq3_atk_tc[22:0]	0x00 0800
			u[71], speq2_atk_tc[22:0]	0x00 0800
			u[47], speq1_atk_tc[22:0]	0x00 0800
			u[23], speq0_atk_tc[22:0]	0x00 0800
0x5E	speq_atk_rel_tc_2	18	u[143], speq5_rel_tc[22:0]	0x7F F800
			u[119], speq4_rel_tc[22:0]	0x7F F800
			u[95], speq3_rel_tc[22:0]	0x7F F800
			u[71], speq2_rel_tc[22:0]	0x7F F800
			u[47], speq1_rel_tc[22:0]	0x7F F800
			u[23], speq0_rel_tc[22:0]	0x7F F800
0x5F	ch12_mixer_gain	4	u[31],ch1_fch1_p,ch1_mixer_fch1_gain[5:0]	0x27
			u[23],ch1_fch2_p,ch1_mixer_fch2_gain[5:0]	0x00
			u[15],ch2_fch1_p,ch2_mixer_fch1_gain[5:0]	0x00
			u[7],ch2_fch2_p,ch2_mixer_fch2_gain[5:0]	0x27
0x60	drc_ctrl	4	u[31:25],drc_det_method, u[23:12], drc_crossover_order, drc_crossover_mode[1:0], envlp_mode, u[7:5], drc_chnnl_indpt_en, ldrc_lmt_en, mdrc_lmt_en, hdr_c_lmt_en, pdrc_lmt_en	0x0100 0000
0x61	DRC1_LMT_CFG1	3	u[23:22], drc1_makeup[9:0], u[11:10], drc1_lmt_thr[9:0]	0x3C C30C
0x62	DRC1_LMT_CFG2	3	u[23], drc1_lmt_atk_tc[22:0]	0x06 0F83
0x63	DRC1_LMT_CFG3	3	u[23], drc1_lmt_rel_tc[22:0]	0x00 0122
0x64	DRC2_LMT_CFG1	3	u[23:22], drc2_makeup[9:0], u[11:10], drc2_lmt_thr[9:0]	0x3C C30C
0x65	DRC2_LMT_CFG2	3	u[23], drc2_lmt_atk_tc[22:0]	0x06 0F83
0x66	DRC2_LMT_CFG3	3	u[23], drc2_lmt_rel_tc[22:0]	0x00 0122
0x67	DRC3_LMT_CFG1	3	u[23:22], drc3_makeup[9:0], u[11:10], drc3_lmt_thr[9:0]	0x3C C30C
0x68	DRC3_LMT_CFG2	3	u[23], drc3_lmt_atk_tc[22:0]	0x06 0F83
0x69	DRC3_LMT_CFG3	3	u[23], drc3_lmt_rel_tc[22:0]	0x00 0122
0x6A	DRC4_LMT_CFG1	3	u[23:10],drc4_lmt_thr[9:0]	0x00 030C
0x6B	DRC4_LMT_CFG2	3	u[23], drc4_lmt_atk_tc[22:0]	0x06 0F83
0x6C	DRC4_LMT_CFG3	3	u[23], drc4_lmt_rel_tc[22:0]	0x00 0122
0x6D	drc_envlp_tc_up	3	u[23], drc_envlp_tc_up[22:0]	0x01 0000
0x6E	drc_envlp_tc_dn	3	u[23], drc_envlp_tc_dn[22:0]	0x7B 0000
0x6F	amute_threshold	2	amute_threshold[15:0]	0x0000
0x70	BIST Control	1	u[7], bist_mode, bist_go, bist_ram1_skip, u[3], bist_ram3_skip, bist_ram4_skip, bist_ram5_skip	0x00
0x71	PLL Status	4	sw_refclk_sel_en, sw_refclk_sel, pll_clk_sel, pll_clk_prog, pll_refdiv_pll[7:0], u[19], pll_fbdiv_pll[10:0], u[7], pll_cp_pll[2:0], pll_rz_pll[1:0], pll_vcci_pll[1:0]	0x0063 002D
0x72	PLL Control	2	u[15:13], pll_enable_sel, manual_pll_enable, u[10:1], pll_osc_force_en	0x0000
0x73	spk_seq_bypass	1	u[7:3], pwm_automute_dis, spk_seq_bypass[1:0]	0x00
0x74	Func_test	1	ps_test_en_b, ps_test_mod0, u[5:4], i2s_loop_en, u[2:1], func_test	0x80
0x75	Tm_by_reg	1	u[7:5], tm_by_reg[4:0]	0x00
0x76	PROT_SYS_CNTL	1	u[7:5], poweron_retry_en, short_protect_en, otuv_protect_en, oc_protect_en, avdd_uv_protect_en	0x1F
0x77	I2C Control	1	u[7:2], i2c_dly_en, i2c_sda_timeout_en	0x03
0x78	HARD_CLIPPER	3	hard_clipper_thr[23:0]	0x7F FFFF
0x79	N/A	4	Reserved	0x0003 00F0
0x7A	N/A	1	Reserved	0x00
0x7B	Oscillator trim Control	1	u[7:2], osc_trim_done, factory_trim_dis	0x01



SILERGY

SY6045S

0x7C	Oscillator trim register1	4	u[31:13], osc_trim_data[4:0], u[7:3], osc_trim_go, d2a_osc_pwd, d2a_post_trim_pwd	0x0000 1000
0x7D	Oscillator trim register2	4	u[31:22], trim_program_en, trim_program_data[4:0], u[15:14], trim_efuse_data_en, trim_efuse_data[4:0], u[7], efuse_time[5:0], trim_efuse_en	0x0010 1017
0x7E	Analog Ref_top Control	4	u[31:12], v1p8d_ctrl[1:0], d2a_ref_ib_ctrl[1:0], d2a_ref_pf[2:0], d2a_reg_avdd_ctrl[1:0], d2a_ref_pwd, d2a_reg_avdd_pwd, d2a_uv_detect_pwd	0x0000 0200
0x7F	N/A	1	Reserved	0x00
0x80	dsp_3d_coef	3	dsp_3d_coef[23:0]	0x40 0000
0x81	dsp_3d_mix	3	dsp_3d_mix[23:0]	0x40 0000
0x82	Inter_Private register	4	u[31:8], refclk_stop_reg_en, sclk_err_en, lr_err_en, refclk_stop_err_en, u[3:1], spk_scdet_en	0x0000 00F0
0x83	DRC_FTUNE	1	dc_cef[2:0], drc_ftune_sign, drc_ftune[1:0]	0x20
0x84	N/A	1	Reserved	0x00
0x85	Fault Over Current Small Detect Windows Width	4	u[31:10], ocfast_trig_en, ocdet_mannual_sel, u[7:6], ocdet_wind_width[5:0]	0x0000 0006
0x86	Fault Over Current Threshold	4	u[31:15], filter_deglitch[2:0], u[11:9], ocdet_en_num[8:0]	0x0000 2006
0x87~0x88	N/A	1	Reserved	0x00
0x89	Error Status	1	u[7:4], pwm_ndc_err_ch1, pwm_pdc_err_ch1, pwm_ndc_err_ch2, pwm_pdc_err_ch2	0x00
0x8A	N/A	1	Reserved	0x00
0x8B	FUNC_CTRL	1	varied_attack_th_en, varied_attack_th_sel[2:0], u[3:2], 3d_en, hard_clipper_en	0xB0
0x8C	FUNC_DEBUG	1	func_debug[7:0]	0xC8
0x8D	N/A	1	Reserved	0x00
0x8E	drc1_envlp_tc_up	3	u[23], drc1_envlp_tc_up[22:0]	0x01 0000
0x8F	drc1_envlp_tc_dn	3	u[23], drc1_envlp_tc_dn[22:0]	0x7B 0000
0x90	drc2_envlp_tc_up	3	u[23], drc2_envlp_tc_up[22:0]	0x01 0000
0x91	drc2_envlp_tc_dn	3	u[23], drc2_envlp_tc_dn[22:0]	0x7B 0000
0x92	drc3_envlp_tc_up	3	u[23], drc3_envlp_tc_up[22:0]	0x01 0000
0x93	drc3_envlp_tc_dn	3	u[23], drc3_envlp_tc_dn[22:0]	0x7B 0000
0x94	PWM MUX register	4	u[31:21], pwm_connection_test[4:0], u[15:5], pwm_evenbit, u[3:1], pwm_ns_zr	0x0000 0000
0x95	PWM Outflip register	4	u[31], pwm_dvol_ramp_point[6:0], u[23:22], pwm_clip_mode, pwm_ad_mode_en, u[19:17], pwm_outflip_reg[12], u[15], pwm_outflip_reg[11:9], u[11], pwm_outflip_reg[8:6], u[7], pwm_outflip_reg[5:3], u[3], pwm_outflip_reg[2:0]	0x4000 3210
0x96	PWM Control register	4	u[31:29], pwm_ns_order[1:0], pwm_ns_bf_clr, pwm_roundup, pwm_768x, pwm_dither_clr, pwm_dither_en, pwm_dither_range, dither_pos[4:0], pwm_cnvt_dstep[7:0], pwm_cnvt_dvalue[7:0]	0x1000 002F
0x97	pm_coef	6	u[47], pm_coef_up[22:0], u[23], pm_coef_dn[22:0]	0x000800 7FF800
0x98	pm_crtl_rb1	3	u[23:20], pm_det_method, pm_source[1:0], pm_loc, pm_lv1_db[9:2], u[7:2], pm_lv1_db[1:0]	0x00 0000
0x99	pm_crtl_rb2	3	u[23], pm_lv1_linear_rb[22:0]	0x00 0000
0x9A	pbq_ch1_checksum	4	pbq_ch1_checksum_key[31:0]	0x0000 0000
0x9B	mdrc_checksum	4	mdrc_checksum_key[31:0]	0x4000 0000
0x9C	pbq_ch2_checksum	4	pbq_ch2_checksum_key[31:0]	0x0000 0000

**Register Table****Addr 0x00: Clock control register**

Bit	7	6	5	4	3	2	1	0
Name	BS	X		FCME	FRC		FRD	

Name	Label	Type	Default	Description
FRD	fs_rate_det	R	2'b10	Sample rate detected: 2'b00: 32kHz 2'b01: 96kHz 2'b10: 44.1kHz/48kHz 2'b11: reserved
FRC	fs_rate_cnfg	RW	2'b10	Sample rate configured: 2'b00: 32kHz 2'b01: 96kHz 2'b10: 44.1kHz/48kHz 2'b11: reserved If fs_cnfg_manual_en is set to 1, the two bits are valid to configure I ² S sample rate.
FCME	fs_cnfg_manual_en	RW	1'b1	1'b0: auto detect I ² S sample rate 1'b1: configured I ² S sample rate by MCU
BS	brt_sel	RW	1'b0	1'b0:48KHz (in case of pll_ref_clk = osc_clk) 1'b1:44.1KHz (in case of pll_ref_clk = osc_clk)

Addr 0x01: Device Id register

Bit	7	6	5	4	3	2	1	0
Name	DIR							

Name	Label	Type	Default	Description
DIR	dev_id_reg	R	8'h25	Identification Code 0x25: SY6045SQHC

Addr 0x02: Error status register

Bit	7	6	5	4	3	2	1	0
Name	PCE	DRC_CE	SCLKE	LRCLKE	PWM_DE	SF	OCF	OTF

Name	Label	Type	Default	Description
OTF	otuv_fault	RW	1'b0	1'b0: normal; 1'b1: over temperature or under voltage is detected
OCF	oc_fault	RW	1'b0	1'b0: normal; 1'b1: over current is detected
SF	short_fault	RW	1'b0	1'b0: normal; 1'b1: short is detected
PWM_DE	pwm_dc_error	RW	1'b0	1'b0: normal; 1'b1: PWM DC detected
LRCLKE	lrclk_err	RW	1'b0	1'b0: normal; 1'b1: LRCLK error
SCLKE	sclk_err	RW	1'b0	1'b0: normal; 1'b1: SCLK error
DRC_CE	drc_check_error	RW	1'b0	1'b0: normal; 1'b1: DRC checksum error
PCE	pbq_check_error	RW	1'b0	1'b0: normal; 1'b1: BQ checksum error

Addr 0x03: System control register 1

Bit	7	6	5	4	3	2	1	0
Name	DSP_FRE	DSP_SRE	RBCCS	DC_SRE	DFER	RCE1	RCE2	IACRE

Name	Label	Type	Default	Description
IACRE	i2c_access_coef_ram_en	RW	1'b1	1'b0: DAP access to register 0x2F~55(RAM) 1'b1: I2C bus access to register 0x2F~55(RAM)

RCE2	ram_ch2_en	RW	1'b1	1'b1: I2C write ch2 ram on 1'b0: I2C write ch2 ram off
RCE1	ram_ch1_en	RW	1'b1	1'b1: I2C write ch1 ram on 1'b0: I2C write ch1 ram off
DFER	dsp_fade_en_reg	RW	1'b1	1'b0: Fade disabled, volume changes immediately 1'b1: Fade enabled, volume changes fades between old/new value
DC_SRE	dc_soft_reset_en	RW	1'b1	Enable or Disable the soft reset of the hole chip 1'b0: DC Soft Reset Disabled 1'b1: DC Soft Reset Enabled
RBCCS	rd_bq_coef_channel_sel	RW	1'b0	1'b0: read bq coef of channel 1 1'b1: read bq coef of channel 2
DSP_SRE	dsp_soft_reset_en	RW	1'b1	Enable or Disable the soft reset of dsp data flow—Write bit “1” to register 0x0F bit[4] 1'b0: Write register 0x0F bit[4] won't trigger DSP Soft Reset 1'b1: Write register 0x0F bit[4] will trigger DSP Soft Reset
DSP_FRE	dsp_force_reset_en	RW	1'b0	1'b0: Shutdown the speaker, won't trigger the reset of dsp data flow. 1'b1: When speaker shutdown, dsp data flow will be reset automatically.

Addr 0x04: System control register 2

Bit	7	6	5	4	3	2	1	0
Name	DOSE	AURE	DEPRE	EQ_E	DEPOST	ME	PE	LE

Name	Label	Type	Default	Description
LE	loudness_en	RW	1'b0	enable loudness: 1'b0: disable; 1'b1: enable
PE	pm_en	RW	1'b1	enable power meter: 1'b0: disable; 1'b1: enable
ME	mixer_en mixer_en	RW	1'b1	enable mixer: 1'b0: disable; 1'b1: enable"
DEPOST	dc_en_post	RW	1'b1	Post DC blocking enable. 1'b0: disable; 1'b1: enable
EQ_E	eq_enable	RW	1'b1	eq, speq, enable or not: 1'b0: disable; 1'b1: enable
DEPRE	dc_en_pre	RW	1'b0	Pre DC blocking enable: 1'b0: disable; 1'b1: enable
AURE	avdd_uv_rst_en_reg	RW	1'b0	AVDD under voltage will trigger a global reset or not 1'b0: won't trigger a global reset; 1'b1: trigger a global reset;
DOSE	dyn_off_speq_en	RW	1'b1	When write “1” to register 0x03 bit[0] to enable I ² C access coef ram, turn off speq simultaneously; 1'b0: turn off speq at the same time; 1'b1: won't turn off speq;

Addr 0x05: System control register 3

Bit	7	6	5	4	3	2	1	0
Name	DLL			SRS			ASMR	

Name	Label	Type	Default	Description
ASMR	a_sel_mode_reg	RW	1'b0	1'b0:when reset release, i2c device addr was fixed by addr_sel. 1'b1:when addr_sel configured as input, i2c device address could be changed according to addr_sel in any moment.
SRS	sold_rate_sel[1:0]	RW	2'b10	When speaker poweron, select the cost time of detecting open load/short load (if the detection eabled). 2'b00:73.6ms; 2'b01:147.2ms; 2'b10:294.4ms; 2'b11:588.5ms.
DLL	delay_line_lgth[4:0]	RW	5'h0f	Length of DRC delay line 0~20 samples.

Addr 0x06: Soft mute register

Bit	7	6	5	4	3	2	1	0
Name	X		MSEN	HSU	DMMR	X	DDMRR	DDMLR

Name	Label	Type	Default	Description
DDMLR	dsp_dvol_mute_l_reg	RW	1'b0	1'b0:soft unmute channel 1 1'b1:soft mute channel 1
DDMRR	dsp_dvol_mute_r_reg	RW	1'b0	1'b0:soft unmute channel 2 1'b1:soft mute channel 2
DMMR	dsp_mvol_mute_reg	RW	1'b0	1'b0:master unmute 1'b1:master mute
HSU	hard_soft_umute	RW	1'b1	1'b0:soft unmute on recovery from clock error 1'b1:hard unmute on recovery from clock error
MSEN	i2c_access_ram_mute_stby_en	RW	1'b1	1'b0: Disable 1'b1: Enable

Addr 0x07: Master volume

Bit	7	6	5	4	3	2	1	0
Name	MV							

Name	Label	Type	Default	Description
MV	mas_vol[7:0]	RW	8'h00	8'h00~8'h02: Soft mute; 8'h03: -126dB; 8'hFF: 0dB; step: 0.5dB

Addr 0x08: Channel 1 volume

Bit	7	6	5	4	3	2	1	0
Name	VOLCH1							

Name	Label	Type	Default	Description
VOLCH1	dsp_dvol_l[7:0]	RW	8'h9F	8'h00: mute; 8'h01: -79dB; 8'h9F: 0dB; 8'hFF: 48dB; step: 0.5dB

**Addr 0x09: Channel 2 volume**

Bit	7	6	5	4	3	2	1	0
Name	VOLCH2							

Name	Label	Type	Default	Description
VOLCH2	dsp_dvol_r[7:0]	RW	8'h9F	8'h00: mute; 8'h01: -79dB; 8'h9F: 0dB; 8'hFF: 48dB; step: 0.5dB

Addr 0x0A:Error Status register2

Bit	7	6	5	4	3	2	1	0
Name	x						OLEF	SLEF

Name	Label	Type	Default	Description
SLEF	short_load_err_flag	R	1'b0	1'b1:short load error
OLEF	open_load_err_flag	R	1'b0	1'b1:open load error

Addr 0x0B: VOL_FTUNE

Bit	7	6	5	4	3	2	1	0
Name	X		VOLFT					

Name	Label	Type	Default	Description
VOLFT	vol_fine_tune[5:0]	RW	6'h00	Volume offset and fine tune. 6'h00~6'h3f: 0dB~+7.875dB. step: 0.125dB.

Addr 0x0F: Soft Reset Register

Bit	7	6	5	4	3	2	1	0
Name	X			DSRST	X			DCRST

Name	Label	Type	Default	Description
DCRST	dc_soft_reset	RW	1'b0	Write this bit 1, will reset the whole chip. The bit will be automatically cleared to 1'b0 after DC soft reset is asserted.
DSRST	dsp_reset	RW	1'b0	When register 0x03 bit[6] set "1", dsp data flow soft reset is enable, then write this bit 1, will reset the dsp data process flow. "dsp_force_reset_en" from register 0x03 will affect the reset flow.

Addr 0x10: Modulation limit register

Bit	7	6	5	4	3	2	1	0
Name	PWMMIN				PWMMAX			

Name	Label	Type	Default	Description
PWMMAX	pwm_mod_limt_max [3:0]	RW	4'h7	PWM modulation frequency is 384KHz/768KHz set FULL = 512(384KHz); FULL = 256(768KHz); 4'h0: max = FULL-2; 4'h1: max = FULL-3; 4'h2: max = FULL-4; 4'h3: max = FULL-5; 4'h4: max = FULL-6; 4'h5: max = FULL-7; 4'h6: max = FULL-8; 4'h7: max = FULL-9; 4'h8: max = FULL-10; 4'h9: max = FULL-11; 4'ha: max = FULL-12; 4'hb: max = FULL-13; 4'hc: max = FULL-14; 4'hd: max = FULL-16; 4'he: max = FULL-18; 4'hf: max = FULL-20;
PWMMIN	pwm_mod_limt_min[3:0]	RW	4'h7	PWM modulation frequency is 384KHz/768KHz 4'h0: min = 2; 4'h1: min = 3; 4'h2: min = 4; 4'h3: min = 5; 4'h4: min = 6; 4'h5: min = 7; 4'h6: min = 8; 4'h7: min = 9; 4'h8: min = 10; 4'h9: min = 11; 4'ha: min = 12; 4'hb: min = 13; 4'hc: min = 14; 4'hd: min = 16; 4'he: min = 18; 4'hf: min = 20;

Addr 0x11: PWM A Channel delay

Bit	7	6	5	4	3	2	1	0
Name	PWMPD1							

Name	Label	Type	Default	Description
PWMPD1	pwm_phaseoffset1 [7:0]	RW	8'h00	Add an offset delay to PWM_CH1P , -128(lead 128 cycles) ~127(lag 127 cycles), 80H(-128)->FF(-1)->00(0)->7F(127) Step: 5.1ns 48khz base rate, 5.536ns 44.1khz base rate

**Addr 0x12: PWM B Channel delay**

Bit	7	6	5	4	3	2	1	0
Name	PWMPD2							

Name	Label	Type	Default	Description
PWMPD 2	pwm_phaseoffset2 [7:0]	RW	8'h00	Add an offset delay to PWM_CH1N , -128(lead 128 cycles) ~127(lag 127 cycles), 80H(-128)->FF(-1)->00(0)->7F(127) Step: 5.1ns 48khz base rate, 5.536ns 44.1khz base rate

Addr 0x13: PWM C Channel delay

Bit	7	6	5	4	3	2	1	0
Name	PWMPD3							

Name	Label	Type	Default	Description
PWMPD 3	pwm_phaseoffset3 [7:0]	RW	8'h00	Add an offset delay to PWM_CH2P , -128(lead 128 steps) ~127(lag 127 steps), 80H(-128)->FF(-1)->00(0)->7F(127) Step: 5.1ns 48khz base rate, 5.536ns 44.1khz base rate

Addr 0x14: PWM D Channel delay

Bit	7	6	5	4	3	2	1	0
Name	PWM_PD4							

Name	Label	Type	Default	Description
PWM_P D4	pwm_phaseoffset4 [7:0]	RW	8'h00	Add an offset delay to PWM_CH2N , -128(lead 128 cycles) ~127(lag 127 cycles), 80H(-128)->FF(-1)->00(0)->7F(127) Step: 5.1ns 48khz base rate, 5.536ns 44.1khz base rate

Addr 0x15: I²S Control

Bit	7	6	5	4	3	2	1	0
Name	X	I2S_SI	I2S_LI	I2S_en	I2S_FMT		I2S_BIT	

Name	Label	Type	Default	Description
I2S_BIT	i2s_vbits	RW	2'b00	2'b00: 24bits 2'b01: 20bits 2'b10: 18bits 2'b11: 16bits
I2S_FMT	i2s_fmt	RW	2'b00	2'b00: I2S 2'b01: LJ 2'b10: RJ 2'b11: Reserved
I2S_en	i2s_en	RW	1'b1	0:disable 1: enable
I2S_LI	i2s_lr_polarity	RW	1'b0	1'b0: not invert LRCLK 1'b1: invert LRCLK
I2S_SI	i2s_sclk_inv	RW	1'b0	1'b0: not invert SCLK 1'b1: invert SCLK

**Addr 0x16: DSP Control Register1**

Bit	7	6	5	4	3	2	1	0
Name	FRS		DSP_FTS		CH1_en	CH2_en	X	

Name	Label	Type	Default	Description
CH2_en	ch2_en	RW	1'b1	Enable channel 2: 1'b0 disable; 1'b1: enable.
CH1_en	ch1_en	RW	1'b1	Enable channel 1: 1'b0 disable; 1'b1: enable.
DSP_FTS	dsp_fade_time_sel	RW	2'b00	2'b00: default, x1, about 8ms; 2'b01: x2; 2'b10: x4; 2'b11: x8.
FRS	fir_rolloff_sel	RW	3'b000	FIR interpolation filter select, different setting has different passband, stopband, passband ripple and stop band attenuation. Default 3'b000.

Addr 0x17: Monitor Pin configured Register1

Bit	7	6	5	4	3	2	1	0
Name	mon0_en	mon1_en	mon2_en	SD_L	MON0			

Name	Label	Type	Default	Description
MON0	monitor0_cfg[3:0]	RW	4'h0	4'h0: i2s_data_out; 4'h1: pwm_out_a; 4'h2: pwm_out_b; 4'h3: pwm_out_c; 4'h4: pwm_out_d; 4'h5: stbyb; 4'h6: fault_clr_ready; 4'h7: pll_locked; 4'h8: hp_en; 4'h9: a2d_osc_clk; 4'ha: pll_div32; 4'hb: fault_pin_stat; 4'hc: fault_short; 4'hd: reserved; 4'he: shdwb; 4'hf: fault_oc.
SD_L	sda_out_loc	RW	1'b0	I ² S data out selection. 1: select audio data prior to processing. 0: select data behind processing.
mon2_en	monitor2_en	RW	1'b0	enable monitor2. 1'b0: disable; 1'b1: enable.
mon1_en	monitor1_en	RW	1'b0	enable monitor1. 1'b0: disable; 1'b1: enable.
mon0_en	monitor0_en	RW	1'b0	enable monitor0. 1'b0: disable; 1'b1: enable.



Addr 0x18: Monitor Pin configured Register2

Bit	7	6	5	4	3	2	1	0
Name	M1C				M2C			

Name	Label	Type	Default	Description
MON2	monitor2_cfg[3:0]	RW	4'h0	4'h0: i2s_data_out; 4'h1: pwm_out_a; 4'h2: pwm_out_b; 4'h3: pwm_out_c; 4'h4: pwm_out_d; 4'h5: stbyb; 4'h6: fault_clr_ready; 4'h7: pll_locked; 4'h8: hp_en; 4'h9: a2d_osc_clk; 4'ha: pll_div32; 4'hb: fault_pin_stat; 4'hc: fault_short; 4'hd: reserved; 4'he: shdwb; 4'hf: fault_oc.
MON1	Monitor1_cfg[3:0]	RW	4'h0	4'h0: i2s_data_out; 4'h1: pwm_out_a; 4'h2: pwm_out_b; 4'h3: pwm_out_c; 4'h4: pwm_out_d; 4'h5: stbyb; 4'h6: fault_clr_ready; 4'h7: pll_locked; 4'h8: hp_en; 4'h9: a2d_osc_clk; 4'ha: pll_div32; 4'hb: fault_pin_stat; 4'hc: fault_short; 4'hd: reserved; 4'he: shdwb; 4'hf: fault_oc.

Addr 0x19: PWM Direct Current Threshold

Bit	7	6	5	4	3	2	1	0
Name	X	ODFE	AFOE	FBC	TH			

Name	Label	Type	Default	Description
TH	threshold_sel[3:0]	RW	4'h5	When enable PWM DC detection, the signal transient level of both left and right channel output is monitored for each pwm cycle. If the transient level is larger than the threshold for more than 500ms, a DC component is detected on PWM output. The threshold can be set as following, step is 1% of full scale PWM output: 4'h0:1%; 4'h1:2%; 4'hf: 15%.
FBC	fault_b_ctrl	RW	1'b0	Fault_B control method. 1'b0: when fault_b is asserted, high level of

				fault_b will be active when detected by the window set in 0x1B; 1'b1: when fault_b is asserted, high level of fault_b will be active directly.
AFOE	adr_faultb_output_en	RW	1'b0	1'b0: input addr_sel ; 1'b1: output fault_b.
ODFE	open_drain_faultb_en	RW	1'b0	control open drain faultb: 1'b0: disable ; 1'b1: enable.

Addr 0x1B: Short Control Register

Bit	7	6	5	4	3	2	1	0
Name	STE	FCI			SPE	RI		

Name	Label	Type	Default	Description
RI	retry_interval	RW	3'b101	3'd0: 100ms; 3'd1: 200ms; 3'd2: 400ms; 3'd3: 600ms; 3'd4: 800ms; 3'd5: 1second; 3'd6: 2second; 3'd7: 4second.
SPE	second_phase_en	RW	1'b1	1'b0: disable; 1'b1: enable.
FCI	fault_clr_interval	RW	3'b011	3'd2: 2ms; 3'd3: 4ms; 3'd4: 8ms; 3'd5: 16ms; 3'd6: 32ms; Others: 4ms.
STE	short_try_en	RW	1'b1	When short is detected after power on, enable check that if the pin short to PVDD or ground. 1'b1: enable; 1'b0: disable.

Addr 0x1C: Fault Output Time

Bit	7	6	5	4	3	2	1	0
Name	X				BKND			

Name	Label	Type	Default	Description
BKND	bknd[3:0]	RW	4'h2	After pad_adr_fault_b is configured as output, any fault of oc, otuv, avdd_uv, short, and short load, will trigger pad_adr_fault_b output a negative pulse; the pulse width has a lower limit. If the fault release earlier than the lower limit time, pad_adr_fault_b will release at the lower limit time, else it will release together with these faults 4'h2: 299ms; 4'h3: 499ms; 4'h4: 598ms; 4'h5: 748ms; 4'h6: 898ms; 4'h7: 1047ms; 4'h8: 1197ms; 4'h9: 1346ms; others: 1496ms;

**Addr 0x1E: Operation Mode Operation Mode**

Bit	7	6	5	4	3	2	1	0
Name	X					PBTL_DE	PBTL_EN	TM_EN

Name	Label	Type	Default	Description
TM_EN	ternary_mode_en	RW	1'b1	1'b0: Reserved mode 1'b1: Ternary mode
PBTL_EN	pbt1_en	RW	1'b0	1'b0: btl mode; 1'b1: pbt1 mode
PBTL_DE	pbt1_digital_en	RW	1'b1	Enable the digital die of re-selecting the output from PWMA~D to work as pbt1 mode. 1'b0: disable; 1'b1: enable

Addr 0x1F: Checksum Control Register

Bit	7	6	5	4	3	2	1	0
Name	X					PDDE	PCE	DCE

Name	Label	Type	Default	Description
DCE	drc_checksum_en	RW	1'b0	1'b0: disable; 1'b1: check the DRC coefficient part of memory (from 0x47 to 0x57).
PCE	pbq_checksum_en	RW	1'b0	1'b0: disable; 1'b1: check the PBQ coefficient part of memory , channel 1 & 2 independently (from 0x2f to 0x46 of channel 1 ram, from 0x2f to 0x40 of channel 2 ram).
PDDE	pwm_dc_det_en	RW	1'b0	1'b0: disable the DC detection on PWM; 1'b1: enable the DC detection.

Addr 0x20: Input MUX Register

Bit	7	6	5	4	3	2	1	0
Name	CSS			X				

Name	Label	Type	Default	Description
CSS	ch_src_sel[1:0]	RW	2'b00	2'b00:1 ² S Left channel data for ch1, right channel data for ch2; 2'b01:1 ² S right channel data for ch1, left channel data for ch2; 2'b10: (right + left)/2 for ch1 and ch2; 2'b11:data = 0.

Addr 0x21: DSP Control register2

Bit	7	6	5	4	3	2	1	0
Name	DAL			DAE	DC1AF	DC2AF	X	

Name	Label	Type	Default	Description
DC2AF	dsp_ch2_amute_flag	R	1'b0	DSP right channel auto mute flag, read only.
DC1AF	dsp_ch1_amute_flag	R	1'b0	DSP left channel auto mute flag, read only.
DAE	dsp_amute_en	RW	1'b0	1'b0: DSP auto mute disabled; 1'b1: DSP auto mute enabled.

DAL	dsp_amute_len[2:0]	RW	3'b000	3'b000: auto mute zero detect length, 512; 3'b001: auto mute zero detect length, 1024; 3'b010: auto mute zero detect length, 2048; 3'b011: auto mute zero detect length, 4096; 3'b100: auto mute zero detect length, 4096*2; 3'b101: auto mute zero detect length, 4096*4; 3'b110: auto mute zero detect length, 4096*8; 3'b111: auto mute zero detect length, 4096*16.
-----	--------------------	----	--------	--

Addr 0x22: PWM Control register

Bit	7	6	5	4	3	2	1	0
Name	X		SDOWN	SBY	X			

Name	Label	Type	Default	Description
SBY	enter_all_standby	RW	1'b1	1'b0:exit all-channel standby; 1'b1:enter all-channel standby (hard mute, hiz, sound off).
SDOWN	enter_all_shutdown	RW	1'b1	1'b0:exit all-channel shutdown (normal operation); 1'b1:enter all-channel shutdown (hard mute, hiz).

Addr 0x23: Fault Select Register

Bit	7	6	5	4	3	2	1	0
Name	X	FCTS			PSDE	SOTE	SMOE	SODE

Name	Label	Type	Default	Description
SODE	sld_old_det_en	RW	1'b0	1'b0: disable; 1'b1: enable;
SMOE	short_mask_oc_en	RW	1'b1	1'b0: disable; 1'b1: enable;
SOTE	sld_old_try_en	RW	1'b0	1'b0: disable; 1'b1: enable;
PSDE	poweron_short_det_en	RW	1'b0	1'b0: disable; 1'b1: enable;
FCTS	fault_clr_times_sel[2:0]	RW	3'b001	3'b000: fault detected 2 times, fault_lock active 3'b001: fault detected 5 times, fault_lock active 3'b010: fault detected 10 times, fault_lock active 3'b011: fault detected 15 times, fault_lock active 3'b100: fault detected 20 times, fault_lock active 3'b101: fault detected 25 times, fault_lock active 3'b110: fault detected 30 times, fault_lock active 3'b111: fault detected infinte times, fault_lock active

Addr 0x25: Channel1 EQ Filter Control Register 1

Bit	7	6	5	4	3	2	1	0
Name	EQ15	EQ14	EQ5	EQ4	EQ3	EQ2	EQ1	EQ0

Name	Label	Type	Default	Description
EQ0	ch1_eq_en0	RW	1'b0	Ch1 EQ0, 1'b0: bypass, 1'b1: enable
EQ1	ch1_eq_en1	RW	1'b0	Ch1 EQ1, 1'b0: bypass, 1'b1: enable
EQ2	ch1_eq_en2	RW	1'b0	Ch1 EQ2, 1'b0: bypass, 1'b1: enable
EQ3	ch1_eq_en3	RW	1'b0	Ch1 EQ3, 1'b0: bypass, 1'b1: enable
EQ4	ch1_eq_en4	RW	1'b0	Ch1 EQ4, 1'b0: bypass, 1'b1: enable
EQ5	ch1_eq_en5	RW	1'b0	Ch1 EQ5, 1'b0: bypass, 1'b1: enable
EQ14	ch1_eq_en14	RW	1'b0	Ch1 EQ14, 1'b0: bypass, 1'b1: enable
EQ15	ch1_eq_en15	RW	1'b0	Ch1 EQ15, 1'b0: bypass, 1'b1: enable

Addr 0x26: Channel1 EQ Filter Control Register 2

Bit	7	6	5	4	3	2	1	0
Name	EQ13	EQ12	EQ11	EQ10	EQ9	EQ8	EQ7	EQ6

Name	Label	Type	Default	Description
EQ6	ch1_eq_en6	RW	1'b0	Ch1 EQ6, 1'b0: bypass, 1'b1: enable
EQ7	ch1_eq_en7	RW	1'b0	Ch1 EQ7, 1'b0: bypass, 1'b1: enable
EQ8	ch1_eq_en8	RW	1'b0	Ch1 EQ8, 1'b0: bypass, 1'b1: enable
EQ9	ch1_eq_en9	RW	1'b0	Ch1 EQ9, 1'b0: bypass, 1'b1: enable
EQ10	ch1_eq_en10	RW	1'b0	Ch1 EQ10, 1'b0: bypass, 1'b1: enable
EQ11	ch1_eq_en11	RW	1'b0	Ch1 EQ11, 1'b0: bypass, 1'b1: enable
EQ12	ch1_eq_en12	RW	1'b0	Ch1 EQ12, 1'b0: bypass, 1'b1: enable
EQ13	ch1_eq_en13	RW	1'b0	Ch1 EQ13, 1'b0: bypass, 1'b1: enable

Addr 0x27: Channel2 EQ Filter Control Register 1

Bit	7	6	5	4	3	2	1	0
Name	EQ15	EQ14	EQ5	EQ4	EQ3	EQ2	EQ1	EQ0

Name	Label	Type	Default	Description
EQ0	ch2_eq_en0	RW	1'b0	Ch2 EQ0, 1'b0: bypass, 1'b1: enable
EQ1	ch2_eq_en1	RW	1'b0	Ch2 EQ1, 1'b0: bypass, 1'b1: enable
EQ2	ch2_eq_en2	RW	1'b0	Ch2 EQ2, 1'b0: bypass, 1'b1: enable
EQ3	ch2_eq_en3	RW	1'b0	Ch2 EQ3, 1'b0: bypass, 1'b1: enable
EQ4	ch2_eq_en4	RW	1'b0	Ch2 EQ4, 1'b0: bypass, 1'b1: enable
EQ5	ch2_eq_en5	RW	1'b0	Ch2 EQ5, 1'b0: bypass, 1'b1: enable
EQ14	ch2_eq_en14	RW	1'b0	Ch2 EQ14, 1'b0: bypass, 1'b1: enable
EQ15	ch2_eq_en15	RW	1'b0	Ch2 EQ15, 1'b0: bypass, 1'b1: enable

**Addr 0x28: Channel2 EQ Filter Control Register 2**

Bit	7	6	5	4	3	2	1	0
Name	EQ13	EQ12	EQ11	EQ10	EQ9	EQ8	EQ7	EQ6

Name	Label	Type	Default	Description
EQ6	ch2_eq_en6	RW	1'b0	Ch2 EQ6, 1'b0: bypass, 1'b1: enable.
EQ7	ch2_eq_en7	RW	1'b0	Ch2 EQ7, 1'b0: bypass, 1'b1: enable.
EQ8	ch2_eq_en8	RW	1'b0	Ch2 EQ8, 1'b0: bypass, 1'b1: enable.
EQ9	ch2_eq_en9	RW	1'b0	Ch2 EQ9, 1'b0: bypass, 1'b1: enable.
EQ10	ch2_eq_en10	RW	1'b0	Ch2 EQ10, 1'b0: bypass, 1'b1: enable.
EQ11	ch2_eq_en11	RW	1'b0	Ch2 EQ11, 1'b0: bypass, 1'b1: enable.
EQ12	ch2_eq_en12	RW	1'b0	Ch2 EQ12, 1'b0: bypass, 1'b1: enable.
EQ13	ch2_eq_en13	RW	1'b0	Ch2 EQ13, 1'b0: bypass, 1'b1: enable.

Addr 0x29: SPEQ Filter Control Register1

Bit	7	6	5	4	3	2	1	0
Name	CH1_EQ17	CH1_EQ16	CH2_EQ17	CH2_EQ16	BQ17_ctrl	BQ16_ctrl		

Name	Label	Type	Default	Description
BQ16_ctrl	bq16_ctrl[1:0]	RW	2'b00	2'b00: bq16 configured as EQ16; 2'b01: bq16 configured as SPEQ4; 2'b10: bq16 configured as SPEQ4 Limit; 2'b11: reserved.
BQ17_ctrl	bq17_ctrl[1:0]	RW	2'b00	2'b00: bq17 configured as EQ17; 2'b01: bq17 configured as SPEQ5; 2'b10: bq17 configured as SPEQ5 Limit; 2'b11: reserved.
CH2_EQ16	ch2_eq_en16	RW	1'b0	Ch2 EQ16, 1'b0: bypass, 1'b1: enable.
CH2_EQ17	ch2_eq_en17	RW	1'b0	Ch2 EQ17, 1'b0: bypass, 1'b1: enable.
CH1_EQ16	ch1_eq_en16	RW	1'b0	Ch1 EQ16, 1'b0: bypass, 1'b1: enable.
CH1_EQ17	ch1_eq_en17	RW	1'b0	Ch1 EQ17, 1'b0: bypass, 1'b1: enable.

Addr 0x2A: SPEQ Filter Control Register2

Bit	7	6	5	4	3	2	1	0
Name	BQ15_ctrl		BQ14_ctrl		BQ13_ctrl		BQ12_ctrl	

Name	Label	Type	Default	Description
BQ12_ctrl	bq12_ctrl[1:0]	RW	2'b00	2'b00: bq12 configured as EQ12; 2'b01: bq12 configured as SPEQ0; 2'b10: bq12 configured as SPEQ0 Limit; 2'b11: reserved.
BQ13_ctrl	bq13_ctrl[1:0]	RW	2'b00	2'b00: bq13 configured as EQ13; 2'b01: bq13 configured as SPEQ1; 2'b10: bq13 configured as SPEQ1 Limit; 2'b11: reserved.
BQ14_ctrl	bq14_ctrl[1:0]	RW	2'b00	2'b00: bq14 configured as EQ14; 2'b01: bq14 configured as SPEQ2; 2'b10: bq14 configured as SPEQ2 Limit; 2'b11: reserved.
BQ15_ctrl	bq15_ctrl[1:0]	RW	2'b00	2'b00: bq15 configured as EQ15; 2'b01: bq15 configured as SPEQ3; 2'b10: bq15 configured as SPEQ3 Limit; 2'b11: reserved.

Addr 0x2B: SPEQ Filter Control Register3

Bit	7	6	5	4	3	2	1	0
Name	X							SDM

Name	Label	Type	Default	Description
SDM	speq_det_method	RW	1'b0	1'b0: envelope 1'b1: rms

Addr 0x2C: Prescaler

Bit	15	14	13	12	11	10	9	8	7	6	5	4	3	2	1	0
Name	PRE															

Name	Label	Type	Default	Description
PRE	prescaler[15:0]	RW	16'h7FFF	0000~FFFF, post scale. Linear gain, 7FFF is x1(0dB). FFFF is x2(6dB)

Addr 0x2D: Postscaler

Bit	15	14	13	12	11	10	9	8	7	6	5	4	3	2	1	0
Name	POST															

Name	Label	Type	Default	Description
X	postscaler[15:0]	RW	16'h7FFF	0000~FFFF, post scale. Linear gain, 7FFF is x1(0dB). FFFF is x2(6dB)

**Addr 0x2F~0x40: BQn(n=0,1,2...17)**

Bit	159:128	127:96	95:64	63:32	31:0
Name	A2	A1	B2	B1	B0

Name	Label	Type	Default	Description
B0	bqn_b0[31:0]	RW	0x0400_000	BQ coefficient,
B1	bqn_b1[31:0]	RW	0x0000_000	BQ coefficient,
B2	bqn_b2[31:0]	RW	0x0000_000	BQ coefficient,
A1	bqn_a1[31:0]	RW	0x0000_000	BQ coefficient,
A2	bqn_a2[31:0]	RW	0x0000_000	BQ coefficient,

Addr 0x41~46: SPEQn(n=0,1,2...5)

Bit	95:64	63:32	31:0
Name	COEF2	COEF1	TH

Name	Label	Type	Default	Description
TH	speqn_th[31:0]	RW	0x0020_000	SPEQn threshold
COEF1	speqn_coef1[31:0]	RW	0x0400_000	SPEQn coefficient 1
COEF2	speqn_coef2[31:0]	RW	0x0200_000	SPEQn coefficient 2

Addr 0x47~56: DRC BQn(n=0,1,2...15)

Bit	159:128	127:96	95:64	63:32	31:0
Name	A2	A1	B2	B1	B0

Name	Label	Type	Default	Description
B0	xdrn_bq0_b0[31:0]	RW	0x0400_000	BQ coefficient, [31:29] is reserved
B1	xdrn_bq0_b1[31:0]	RW	0x0000_000	BQ coefficient, [31:29] is reserved
B2	xdrn_bq0_b2[31:0]	RW	0x0000_000	BQ coefficient, [31:29] is reserved
A1	xdrn_bq0_a1[31:0]	RW	0x0000_000	BQ coefficient, [31:29] is reserved
A2	xdrn_bq0_a2[31:0]	RW	0x0000_000	BQ coefficient, [31:29] is reserved

**Addr 0x57: Channel 1&2 Loudness**

Bit	95:64	63:32	31:0
Name	LD3_G	LD2_G	LD1_G

Name	Label	Type	Default	Description
LD1_G	ld1_gain[31:0]	RW	0x4000_0000	loudness gain of BQ1, only positive. 0x0000_0000(-inf)~0x0800_0000(x1, 0dB)~0x0FFF_FFFF(x2, +6dB)
LD2_G	ld2_gain[31:0]	RW	0x4000_0000	loudness gain of BQ2, only positive. 0x0000_0000(-inf)~0x0800_0000(x1, 0dB)~0x0FFF_FFFF(x2, +6dB)
LD3_G	ld3_gain[31:0]	RW	0x4000_0000	loudness gain of BQ3, only positive. 0x0000_0000(-inf)~0x0800_0000(x1, 0dB)~0x0FFF_FFFF(x2, +6dB)

Addr 0x5D: SPEQ_ATK_REL_TC_1

Bit	143	142:120	119	118:96	95	94:72	71	70:48	47	46:24	23	22:0
Name	X	SPEQ5	X	SPEQ4	X	SPEQ3	X	SPEQ2	X	SPEQ1	X	SPEQ0

Name	Label	Type	Default	Description
SPEQ0A T	speq0_atk_tc[22:0]	RW	23'h000_800	Attack time control
SPEQ1A T	speq1_atk_tc[22:0]	RW	23'h000_800	Attack time control
SPEQ2A T	speq2_atk_tc[22:0]	RW	23'h000_800	Attack time control
SPEQ3A T	speq3_atk_tc[22:0]	RW	23'h000_800	Attack time control
SPEQ4A T	speq3_atk_tc[22:0]	RW	23'h000_800	Attack time control
SPEQ5A T	speq3_atk_tc[22:0]	RW	23'h000_800	Attack time control

Addr 0x5E: SPEQ_ATK_REL_TC_2

Bit	143	142:120	119	118:96	95	94:72	71	70:48	47	46:24	23	22:0
Name	X	SPEQ5	X	SPEQ4	X	SPEQ3	X	SPEQ2	X	SPEQ1	X	SPEQ0

Name	Label	Type	Default	Description
SPEQ0RT	speq0_rel_tc[22:0]	RW	23'h7FF800	Release time control
SPEQ1RT	speq1_rel_tc[22:0]	RW	23'h7FF800	Release time control
SPEQ2RT	speq2_rel_tc[22:0]	RW	23'h7FF800	Release time control
SPEQ3RT	speq3_rel_tc[22:0]	RW	23'h7FF800	Release time control
SPEQ4RT	speq3_rel_tc[22:0]	RW	23'h7FF800	Release time control
SPEQ5RT	speq3_rel_tc[22:0]	RW	23'h7FF800	Release time control

Addr 0x5F: ch12_mixer_gain

Bit	31	30	29:24	23	22	21:16	15	14	13:8	7	6	5:0
Name	X	P11	G11	X	P12	G12	X	P21	G21	X	P22	G22

Name	Label	Type	Default	Description
G22	ch2_mixer_fch2_gain [5:0]	RW	6'h27	Refer to mixer gain table
P22	ch2_mixer_fch2_pola rity	RW	1'b0	1'b0: plus 1'b1: minus
G21	ch2_mixer_fch1_gain [5:0]	RW	6'h00	Refer to mixer gain table
P21	ch2_mixer_fch1_pola rity	RW	1'b0	1'b0: plus 1'b1: minus
G12	ch1_mixer_fch2_gain [5:0]	RW	6'h00	Refer to mixer gain table
P12	ch1_mixer_fch2_pola rity	RW	1'b0	1'b0: plus 1'b1: minus
G11	ch1_mixer_fch1_gain [5:0]	RW	6'h27	Refer to mixer gain table
P11	ch1_mixer_fch1_pola rity	RW	1'b0	1'b0: plus 1'b1: minus

Addr 0x60: DRC Control

Bit	31:25	24	23:10	11	10:9	8	7:4	3	2	1	0
Name	X	DDM	X	DCO	DCM	EM	X	LLE	MLE	HLE	PLE

Name	Label	Type	Default	Description
PLE	drc4_lmt_en	RW	1'b0	0:disable 1: enable
HLE	drc3_lmt_en	RW	1'b0	0:disable 1: enable
MLE	drc2_lmt_en	RW	1'b0	0:disable 1: enable
LLE	drc1_lmt_en	RW	1'b0	0:disable 1: enable
EM	envlp_mode	RW	1'b0	Envelope detection method selection. 0: classic method, 1: new method.
DCM	drc_crossover_mode[1:0]	RW	2'b00	DRC crossover filter mode selection. 2'b00: tree mode 2'b01: sum mode. 2'b10: seperated mode 2'b11: reserved
DCO	drc_crossover_order	RW	1'b0	1'b0: low order 1'b1: high order
DDM	drc_det_method	RW	1'b1	1'b0: envelope 1'b1: rms

**Addr 0x61/64/67: DRCx_LMT_CFG1(x=1,2,3)**

Bit	23:22	21:12	11:10	9:0
Name	X	MGx	X	THx

Name	Label	Type	Default	Description
THx	drcx_lmt_thr[9:0]	RW	10'h30C	DRC limit threshold, 10'h000(-97.5dB)~10'h3FC(30dB), step is 0.125dB 10'h30C = 0dB, 10'h3FC = 30dB
MGx	drcx_makeup[9:0]	RW	10'h3CC	Gain control of DRC band. 10'h000(-121.5dB)~10'h3FC(6dB), step is 0.125dB 10'h3FC = 6dB, 10'h3CC = 0dB

Addr 0x6A: DRC4_LMT_CFG1

Bit	23:10	9:0
Name	X	PTH

Name	Label	Type	Default	Description
PTH	drc4_lmt_thr[9:0]	RW	10'h30C	DRC limit threshold, 10'h000(-97.5dB)~10'h3FC(30dB), step is 0.125dB 10'h30C = 0dB, 10'h3FC = 30dB

Addr 0x62/65/68/6B: DRCx_LMT_CFG2(x=1,2,3,4)

Bit	23	22:0
Name	X	ATx

Name	Label	Type	Default	Description
ATx	drcx_lmt_atk_tc[[22:0]	RW	23'h06_0F83	Attack time control

Addr 0x63/66/69/6C: DRCx_LMT_CFG3(x=1,2,3,4)

Bit	23	22:0
Name	X	RTx

Name	Label	Type	Default	Description
RTx	drcx_lmt_rel_tc[22:0]	RW	24'h00_0122	Release time control

Addr 0x6D: drc_envlp_tc_up

Bit	23	22:0
Name	X	DETU

Name	Label	Type	Default	Description
DETU	drc_envlp_tc_up[22:0]	RW	23'h01_0000	The attack coefficient of drc signal level envelop detection

Addr 0x6E: drc_envlp_tc_dn

Bit	23	22:0
Name	X	DETD

Name	Label	Type	Default	Description
DETD	drc_envlp_tc_dn[22:0]	RW	23'h7B_0000	The release coefficient of drc signal level envelop detection

Addr 0x6F: auto mute threshold

Bit	23:16	15:0
Name	X	AM_TH

Name	Label	Type	Default	Description
AM_TH	dsp_amute_thr[15:0]	RW	16'h00	

Addr 0x70: BIST Control

Bit	7	6	5	4	3	2	1	0
Name	X	BISTM	BISTGO	BIST1	X	BIST3	BIST4	BIST5

Name	Label	Type	Default	Description
BIST5	bist_ram5_skip	RW	1'b0	Bist skips RAM5 1'b0: normal; 1'b1: skip.
BIST4	bist_ram4_skip	RW	1'b0	Bist skips RAM4 1'b0: normal; 1'b1: skip.
BIST3	bist_ram3_skip	RW	1'b0	Bist skips RAM3 1'b0: normal; 1'b1: skip.
BIST1	bist_ram1_skip	RW	1'b0	Bist skips RAM1 1'b0: normal; 1'b1: skip.
BISTGO	bist_go_reg	RW	1'b0	1'b0: disable 1'b1:I2C write "1" to start memory bist
BISTM	bist_mode	RW	1'b0	1'b0: 7 bist pattern and compare read results. 1'b1:1 bist pattern and do not compare

Addr 0x71: PLL Status

Bit	31	30	29	28	27:20	19	18:8	7	6:4	3:2	1:0
Name	SRSE	SRS	PP	PPP	PRP	X	PFP	X	PCP	PRP	PVIP

Name	Label	Type	Default	Description
PVIP	pll_vco_i_pll[1:0]	RW	2'b01	pll vco setting
PRP	pll_rz_pll[1:0]	RW	2'b11	pll resistor setting
PCP	pll_cp_pll[2:0]	RW	3'b010	pll charge pump setting
PFP	pll_fbdiv_pll[10:0]	RW	11'h300	pll feedback divider, 1~1023
PRP	pll_refdiv_pll[7:0]	RW	8'h06	pll reference divider, 1~255
PPP	pll_pll_prog	RW	1'b0	1'b0:pll_pll_prog, they would be auto controlled. 1'b1:pll_pll_prog, all pll reference value would use register control : 1) refdiv 2) fbdiv 3) rz_pll 4) cp_pll 5) vco_i_pll 6) d2a_ref_sel_osc
PP	pll_pllcksel	RW	1'b0	1'b0:pll_pllcksel, pll refer_clk select OSC 1'b1:pll_pllcksel, pll refer_clk select SCLK
SRS	sw_refclk_sel	RW	1'b0	1'b0:sw_refclk_sel : select OSC_CLK 1'b1:sw_refclk_sel : select SCLK
SRSE	sw_refclk_sel_en	RW	1'b0	1'b0:sw_refclk_sel_disable 1'b1:sw_refclk_sel_enbale

Addr 0x72: PLL Control Register

Bit	15:13	12	11	10:1	0
Name	X	PES	PME	X	POFE

Name	Label	Type	Default	Description
POFE	pll_osc_force_en	RW	1'b0	1'b0: pll reference clock is sclk, if no sclk apply pll will not start; 1'b1: when no sclk, force pll power up ,using osc clk as reference clock
PME	pll_manual_en	RW	1'b0	1'b0:pll manual disable 1'b1:pll manual enable
PES	pll_enable_sel	RW	1'b0	1'b0: select auto control : hardware control 1'b1:pll_enable_sel, select register control : pll manual enable

Addr 0x73: SPK Sequence Bypass

Bit	7	6	5	4	3	2	1	0
Name	X					PAMD	C2SB1	C1SB1

Name	Label	Type	Default	Description
C1SB1	ch1_seq_bypass_1ms	RW	1'b0	1'b0:channel 1 spk_state bypass disable 1'b1:channel 1 spk_state bypass, (not wait 1ms)
C2SB1	ch2_seq_bypass_1ms	RW	1'b0	1'b0:channel 2 spk_state bypass disable 1'b1:channel 2 spk_state bypass (not wait 1ms)
PAMD	pwm_automute_dis	RW	1'b0	1'b0: pwm auto mute enable 1'b1: pwm auto mute disable

Addr 0x74: Function Test Register

Bit	7	6	5	4	3	2	1	0
Name	PTEB	PTM	X		ILE	X		FT

Name	Label	Type	Default	Description
FT	func_test	RW	1'b0	1'b0: normal mode 1'b1: adr_fault_b=monitor0_signal; pdn_b =monitor1_signal; Note: before function test ,set reg19[5] adr_faultb_output_en high first.
ILE	i2s_loop_en	RW	1'b0	I ² S rx loop back to I ² S tx 1'b0: disable 1'b1: enable
PTM	ps_test_mod0	RW	1'b0	1'b0: power stage oc test mode 1 1'b1: power stage oc test mode 2
PTEB	ps_test_en_b	RW	1'b1	1'b0: enter the power stage over current test mode 1'b1: disalbed

**Addr 0x75: Temp_By_Reg Register**

Bit	7	6	5	4	3	2	1	0
Name	X			TBR[4]	TBR[3:0]			

Name	Label	Type	Default	Description
TBR[3:0]	Tmp_by_reg[3:0]	RW	4'h0	4'h0: reset all flops test mode; 4'h1: scan test mode; 4'h2: vout test mode; 4'h3: vin test mode; 4'h6: burn in test mode; 4'hf: ate test mode; others: reserved.
TBR[4]	Tmp_by_reg[4]	RW	1'b0	1'b0: external data input test mode; 1'b1: register control test mode enable.

Addr 0x76: protection system control

Bit	7	6	5	4	3	2	1	0
Name	X			PRE	SPE	OTPE	OCPE	AUPE

Name	Label	Type	Default	Description
AUPE	avdd_uv_protect_en	RW	1'b1	1'b0: disable; 1'b1: enable.
OCPE	oc_protect_en	RW	1'b1	1'b0: disable; 1'b1: enable.
OTPE	otuv_protect_en	RW	1'b1	1'b0: disable; 1'b1: enable.
SPE	short_protect_en	RW	1'b1	1'b0: disable; 1'b1: enable.
PRE	poweron_retry_en	RW	1'b1	1'b0: disable; 1'b1: enable.

Addr 0x77: I2C Control Register

Bit	7	6	5	4	3	2	1	0
Name	X						IDE	ISTE

Name	Label	Type	Default	Description
ISTE	i2c_sda_timeout_en	RW	1'b1	1'b0: disable; 1'b1: enable.
IDE	i2c_dly_en	RW	1'b1	1'b0: disable; 1'b1: enable.

Addr 0x78: Hard Clipper Threshold

Bit	23:0							
Name	HCTH							

Name	Label	Type	Default	Description
HCTH	hard_clipper_thr[23:0]	RW	24'h7FF_FFF	Hard clipper threshold. Default 24'h7FF_FFF.

Addr 0x7B: Oscillator trim Control

Bit	7	6	5	4	3	2	1	0
Name	X						O_TRIM_D	FTRIM

Name	Label	Type	Default	Description
FTRIM	factory_trim_dis	RW	1'b1	1'b0:Select factory trim (Write a 0 to select factory trim; default is 1.) 1'b1:Facotry trim disable
TRIM_D	osc_trim_done	R	1'b0	1'b0:Osc trim is not done (Read Only); 1'b1:Osc_trim_done, the bit could write "0" clear 1. (read only)

Addr 0x7C: Oscillator trim register1

Bit	31:13	12:8	7:3	2	1	0
Name	X	OTD	X	OTG	DOPR	DPTP

Name	Label	Type	Default	Description
DPTP	d2a_post_trim_pwd	RW	1'b0	1'b0: not power down analog trim module 1'b1: power down analog trim module
DOPR	d2a_osc_pwd_reg	RW	1'b0	1'b0: d2a_osc_pwd disabled 1'b1: d2a_osc_pwd enable
OTG	osc_trim_go	RW	1'b0	1'b0: osc_trim_go is disabled. 1'b1: write 1 to this bit, osc_trim will start.. trim data would be efused to analog part.
OTD	osc_trim_data[4:0]	R	5'h10	trim_data[4:0]

Addr 0x7D: Oscillator trim register2

Bit	31:22	21	20:16	15:14	13	12:8	7	6:1	0
Name	X	TPE	TPD	X	TEDE	TED	Lock	ET	TEE

Name	Label	Type	Default	Description
TEE	trim_efuse_en	RW	1'b1	1'b0: trim effuse disable 1'b1: trim effuse enable
ET	efuse_time[5:0]	RW	6'h0B	6'd63: efuse_time:63ms 6'd62: efuse_time:63ms 6'd(m): efuse_time:(m+1)ms 6'd11:efuse_time:12ms 6'd(n): efuse_time:(n+1)ms 6'd2: efuse_time:3ms 6'd1: efuse_time:2ms 6'd0: efuse_time:1ms
Lock	a2d_efuse_lock_flag	R	1'b0	1'b0: never efused; 1'b1: ever efused;
TED	trim_efuse_data[4:0]	RW	5'h10	trim_efuse_data, the data could be efused to analog part in case of trim_efuse_enable.
TEDE	trim_efuse_data_en	RW	1'b0	1'b0: trim_efuse_data disable 1'b1: trim_efuse_data enable
TPD	trim_program_data[4:0]	RW	5'h10	program_data, the data could directed into osc analog module part in case of program_enable.
TPE	trim_program_en	RW	1'b0	1'b0: program disable 1'b1: program enable

Addr 0x7E: Analog Ref_top Control

Bit	31:12	11:10	9:8	7:5	4:3	2	1	0
Name	X	VC	DRIC	DRP	DRAC	DRP	DRAP	DUDP

Name	Label	Type	Default	Description
DUDP	d2a_uv_detect_pwd	RW	1'b0	d2a_uv_detect_pwd is disable
DRAP	d2a_reg_avdd_pwd	RW	1'b0	d2a_reg_avdd_pwd
DRP	d2a_ref_pwd	RW	1'b0	da2_ref_pwd
DRAC	d2a_reg_avdd_ctrl[1:0]	RW	2'b00	d2a_reg_avdd_ctrl[1:0]
DRP	d2a_ref_pf[2:0]	RW	3'b000	d2a_ref_pf[2:0]
DRIC	d2a_ref_ib_ctrl[1:0]	RW	2'b10	d2a_ref_ib_ctrl[1:0]
VC	v1p2d_ctrl[1:0]	RW	2'b00	v1p2d[1:0]

Addr 0x80: Dsp_3d_coef

Bit	23:0
Name	3DCOEF

Name	Label	Type	Default	Description
3DCOEF	dsp_3d_coef[23:0]	RW	0x400000	3D coefficient, linear gain. 2's complement, 0(-inf) ~ 0x7FFFFFF(2), 0x800000(-2)~0xFFFFFFFF(near -0), 0x400000 =1, 0x7FFFFFF = 2, 0xc00000 = -1.

Addr 0x81: Dsp_3d_mix

Bit	23:0
Name	3DMIX

Name	Label	Type	Default	Description
3DMIX	dsp_3d_mix[23:0]	RW	0x400000	3D mix gain, linear gain. 2's complement, 0(-inf) ~ 0x7FFFFFF(2), 0x800000(-2)~0xFFFFFFFF(near -0), 0x400000 =1, 0x7FFFFFF = 2, 0xc00000 = -1.

**Addr 0x82: Inter Private register**

Bit	31:8	7	6	5	4:1	0
Name	X	RSRE	SEE	LEE	X	SSE

Name	Label	Type	Default	Description
SSE	spk_scdet_en	RW	1'b0	1'b0: spk_scdet_en, enable All channel should be set Binary mode; 1'b1: pwm_outA=pwm_outB= CH1_P_SIDE; pwm_outC = pwm_outD = CH2_P_SIDE.
LEE	lrclk_err_en	RW	1'b1	1'b0: lr_clk_error would not be shown in 0x02(bit[4]); 1'b1: lr_clk_error would be shown in 0x02(bit[4]).
SEE	sclk_err_en	RW	1'b1	1'b0: sclk error would not be shown in 0x02 (bit[5]); 1'b1: sclk error would be show in 0x02(bit[5]).
RSRE	refclk_stop_reg_en	RW	1'b1	1'b0: sclk_stop error would be not shown in 0x02 (bit[5]) 1'b1: sclk_stop error would show in 0x02(bit[5])

Addr 0x83: DRC FTUNE

Bit	7	6	5	4	3	2	1	0
Name	DC			DFS	DF			

Name	Label	Type	Default	Description
DF	drc_ftune[3:0]	RW	4'b0000	Offset used to adjust all bands of drc limit threshold, step is 0.125dB; The region is 0~1.875dB;
DFS	drc_ftune_sign	RW	1'b0	1'b0: add an offset reg83 bit[3:0] to all bands of drc limit threshold; 1'b1: minus an offset reg83 bit[3:0] to all bands of drc limit threshold;
DC	dc_cef[2:0]	RW	3'b001	3'b000: dc_coef = 24'h000800; 3'b001: dc_coef = 24'h000400; 3'b010: dc_coef = 24'h000200; 3'b011: dc_coef = 24'h000100; 3'b100: dc_coef = 24'h000080; 3'b101: dc_coef = 24'h000040; 3'b110: dc_coef = 24'h000020; 3'b111: dc_coef = 24'h000010;

Addr 0x85: OC Detect Window Width

Bit	31:10	9	8	7:6	5:0
Name	X	OTE	OMS	X	OWW

Name	Label	Type	Default	Description
OWW	ocdet_wind_width[5:0]	RW	6'h06	ocdet_wind_width
OMS	ocdet_mannual_sel	RW	1'b0	ocdet_mannual_sel
OTE	ocfast_trig_en	RW	1'b0	oc fast trigger

Addr 0x86: Fault Over Current Threshold

Bit	31:15	14:12	11:9	8:0
Name	X	FD	X	OEN

Name	Label	Type	Default	Description
OEN	ocdet_en_num[8:0]	RW	9'h006	Threshold of total cycles that "fault_oc" be counted in large detect window. A counted number over the threshold will trigger an oc fault
FD	filter_deglitch[2:0]	RW	3'b010	Deglitch all the fault_oc signal pulse if its width is smaller than this configured cycle number

Addr 0x89: Error Status

Bit	7	6	5	4	3	2	1	0
Name	X				PNEC1	PPEC1	PNEC2	PPEC2

Name	Label	Type	Default	Description
PPEC2	pwm_pdc_err_ch2	R	1'b0	1'b1: channel 2 has an p-side DC error; 1'b0: no such error;
PNEC2	pwm_ndc_err_ch2	R	1'b0	1'b1: channel 2 has an n-side DC error; 1'b0: no such error;
PPEC1	pwm_pdc_err_ch1	R	1'b0	1'b1: channel 1 has an p-side DC error; 1'b0: no such error;
PNEC1	pwm_ndc_err_ch1	R	1'b0	1'b1: channel 1 has an n-side DC error; 1'b0: no such error;

Addr 0x8B: DSP Control Register 3

Bit	7	6	5	4	3	2	1	0
Name	VATE	VATS			X		3D_en	HC_en

Name	Label	Type	Default	Description
HC_en	hard_clipper_en	RW	1'b0	Hard clipper enable. 1'b0: disable 1'b1: enable
3D_en	3d_en	RW	1'b0	3d enable: 1'b0:disable 1'b1:enable
VATS	varied_attack_th_sel[2:0]	RW	3'b011	
VATE	varied_attack_th_en	RW	1'b1	1'b0: Disable; 1'b1: Enable

**Addr 0x8C: FUNC DEBUG Register**

Bit	7	6	5	4	3	2	1	0
Name	FD							

Name	Label	Type	Default	Description
FD	func_debug	rw	8'hC8	[7]: new_tc = 1 - tc/g mode enable, active high. This bit shall be used when bit6 is high. [6]: Attck exponential control mode, release linear control mode enable, active high [5]: Reserved [4]: tc offset mode enable, active high. [3]: Linear drc gain control method 1 enable, active high. [2]: Linear drc gain control method 1 enable, active high. [1]: 1, force using envelope level detection method. 0, level detection mode decided by each function. [0]: 1, Select left channel level for for both channel DRC. 0, left channel signal level for left channel, right for right.

Addr 0x8E: drc1_envlp_tc_up

Bit	23	22:0
Name	X	D1ETU

Name	Label	Type	Default	Description
D1ETU	drc1_envlp_tc_up[22:0]	RW	23'h01_0000	The attack coefficient of drc signal level envelop detection

Addr 0x8F: drc1_envlp_tc_dn

Bit	23	22:0
Name	X	D1ETD

Name	Label	Type	Default	Description
D1ETD	drc1_envlp_tc_dn[22:0]	RW	23'h7B_0000	The release coefficient of drc signal level envelop detection

Addr 0x90: drc2_envlp_tc_up

Bit	23	22:0
Name	X	D2ETU

Name	Label	Type	Default	Description
D2ETU	drc2_envlp_tc_up[22:0]	RW	23'h01_0000	The attack coefficient of drc signal level envelop detection

Addr 0x91: drc2_envlp_tc_dn

Bit	23	22:0
Name	X	D2ETD

Name	Label	Type	Default	Description
D2ETD	drc2_envlp_tc_dn[22:0]	RW	23'h7B_0000	The release coefficient of drc signal level envelop detection

**Addr 0x92: drc3_envlp_tc_up**

Bit	23	22:0
Name	X	D3ETU

Name	Label	Type	Default	Description
D3ETU	drc3_envlp_tc_up[22:0]	RW	23'h01_0000	The attack coefficient of drc signal level envelop detection

Addr 0x93: drc3_envlp_tc_dn

Bit	23	22:0
Name	X	D3ETD

Name	Label	Type	Default	Description
D3ETD	drc3_envlp_tc_dn[22:0]	RW	23'h7B_0000	The release coefficient of drc signal level envelop detection

Addr 0x94: PWM MUX register

Bit	31:21	20	19	18	17	16	15:5	4	3:1	0
Name	X	PCT[4]	PCT[3]	PCT[2]	PCT[1]	PCT[0]	X	PE	X	PNZ

Name	Label	Type	Default	Description
PNZ	pwm_ns_zr	RW	1'b0	1'b0: normal 1'b1: add zero to fs/2 to decrease high frequency noise
PE	pwm_evenbit	RW	1'b0	1: quantize, input data even, tri-mode, (10bit, {[23,15],1'b0}). quantize, input data even, bin-mode (9 bit , {[23:16],2'b0}) 0: quantize, input data not even, tri-mode, (10bit, {[23,14]}). quantize, input data not even, bin-mode (9 bit , {[23:15],1'b0})
PCT[0]	pwm_connection_test[0]	RW	1'b0	1'b0: pwm_out_a = 0 1'b1: control pwm_out_a in case of pwm_conection enable, used to test analog connection. pwm_out_a = 1
PCT[1]	pwm_connection_test[1]	RW	1'b0	1'b0: pwm_out_b = 0 1'b1: pwm_out_b = 1
PCT[2]	pwm_connection_test[2]	RW	1'b0	1'b0: pwm_out_c= 0 1'b1: pwm_out_c= 1
PCT[3]	pwm_connection_test[3]	RW	1'b0	1'b0: pwm_out_d= 0 1'b1: pwm_out_d= 1
PCT[4]	pwm_connection_test[4]	RW	1'b0	1'b0: pwm connection test disable 1'b1: pwm_connection test enable

Addr 0x95: PWM Outflip register

Bit	31	30: 24	23: 22	21	20	19:17	16	15	14; 12	11	10: 8	7	6:4	3	2:0
Name	X	PD RP	X	PC M	PAME	X	PO R[1 2]	X	PO R[1 1:9]	X	PO R[8 :6]	X	PO R[5 :3]	X	PO R[2 :0]

Name	Label	Type	Default	Description
POR[2:0]	pwm_outflip_reg[2:0]	RW	3'b000	3'b000: pwm_outflip[2:0]: pwm_outa = side1_p 3'b001: pwm_outflip[2:0]: pwm_outa = side1_n 3'b010: pwm_outflip[2:0]: pwm_outa = side2_p 3'b011: pwm_outflip[2:0]: pwm_outa = side2_n others: reserved
POR[5:3]	pwm_outflip_reg[5:3]	RW	3'b001	3'b000: pwm_outflip[5:3]: pwm_outb = side1_p 3'b001: pwm_outflip[5:3]: pwm_outb = side1_n 3'b010: pwm_outflip[5:3]: pwm_outb = side2_p 3'b011: pwm_outflip[5:3]: pwm_outb = side2_n others: reserved
POR[8:6]	pwm_outflip_reg[8:6]	RW	3'b010	3'b000: pwm_outflip[7:6]: pwm_outc = side1_p 3'b001: pwm_outflip[7:6]: pwm_outc = side1_n 3'b010: pwm_outflip[7:6]: pwm_outc = side2_p 3'b011: pwm_outflip[7:6]: pwm_outc = side2_n others: reserved
POR[11:9]	pwm_outflip_reg[11:9]	RW	3'b011	3'b000: pwm_outflip[11:9]: pwm_outd = side1_p 3'b001: pwm_outflip[11:9]: pwm_outd = side1_n 3'b010: pwm_outflip[11:9]: pwm_outd = side2_p 3'b011: pwm_outflip[11:9]: pwm_outd = side2_n others: reserved
POR[12]	pwm_outflip_reg[12]	RW	1'b0	1'b0: pwm_outflip[12] disable 1'b1: pwm outflip[12] enable
PAME	pwm_ad_mode_en	RW	1'b0	1'b0: tri-mode 1'b1: binary mode
PCM	pwm_clip_mode	RW	1'b0	1'b0: trunck to 0 1'b1: clip to pwm_mod_limt[2:0]
PDRP	pwm_dval_ramp_point [6:0]	RW	7'h40	Start point to decrease the pwm compensation pulse

**Addr 0x96: PWM Outflip register**

Bit	31:29	28:27	26	25	24	23	22	21	20:16	15:8	7:0
Name	X	PNO	PNBC	PR	P7	PDC	PDE	PDR	PDP	PCDS	PCDV

Name	Label	Type	Default	Description
PCDV	pwm_cnvt_dvalue[7:0]	RW	8'h2F	pwm_cnvt_dvalue [5:0], differential value
PCDS	pwm_cnvt_dstep[7:0]	RW	8'h00	pwm_cnvt_dstep[5:0], differential step value,
PDP	pwm_dither_pos[4:0]	RW	5'h00	5'd0: shift the dither[23:0] to right 0 bit, and complementary "0" 5'd1: shift to right 0 bit 5'd2: shift to right 0 bit 5'd3: shift to right 1 bit 5'd4: shift to right 2 bit 5'd5: shift to right 3 bit 5'dx: pwm_dither_pos[4:0], shift the dither to where the lsb of the quantizer will be. (shift to right (x-2) bits) 5'd18: shift to right 16 bit 5'd19: shift to right 17 bit others: shift 0 bit
PDR	pwm_dither_range	RW	1'b0	1'b0: pwm_dither_range, -3 to 3 1'b1: pwm_dither_range, -1 to 1
PDE	pwm_dither_en	RW	1'b0	1'b0: pwm_dither_en, disable dither 1'b1: pwm_dither_en, enable dither
PDC	pwm_dither_clr	RW	1'b0	1'b0: pwm_dither_clr 1'b1: pwm_dither_clr, clear dither module generate a triangular
P7	pwm_768x	RW	1'b0	pwm modulation frequency select. 1'b0: 384khz 1'b1: 768khz
PR	pwm_roundup	RW	1'b0	1'b0: pwm_roundup, quantize to 9 or 10 bits, truncate 1'b1: pwm_roundup, quantize to 9 or 10 bits, roundup
PNBC	pwm_ns_bf_clr	RW	1'b0	1'b0: pwm_ns_bf_clr 1'b1: pwm_ns_bf_clr, clear noise shaper sate counter
PNO	pwm_ns_order	RW	2'b10	PWM noise shipping order select. 2'b00: 1rst order. 2'b01: 2nd order. 2'b10: 3rd order. 2'b11: 4th order.

Addr 0x97: PM_COEF

Bit	47	46:24	23	22:0
Name	X	PCU	X	PCD

Name	Label	Type	Default	Description
PCD	pm_coef_dn[22:0]	RW	23'h7FF800	Power meter envelop detection release coefficient
PCU	pm_coef_up[22:0]	RW	23'h000800	Power meter envelop detection attack coefficient

**Addr 0x98: Power Meter Control rb1**

Bit	23:20	19	18:17	16	15:8	7:2	1:0
Name	X	PDM	PS	PL	PLD[9:2]	X	PLD[1:0]

Name	Label	Type	Default	Description
PLD[1:0]	pm_lv1_db[1:0]	R	2'd0	10'h000 ~ 10'h3fc: -127.875db~0db, step is 0.125db
PLD[9:2]	pm_lv1_db[9:2]	R	8'd0	8'h00 ~ 8'hff: -127.5db~0db, step is 0.5db
PL	pm_loc	RW	1'b0	1'b0: after volume 1'b1: before volume
PS	pm_source[1:0]	RW	2'b00	00: (l+r)/2, 01: left channel, 10: right channel, 11:reserved
PDM	pm_det_method	RW	1'b0	1'b0: envelope 1'b1: rms

Addr 0x99: Power Meter Control rb2

Bit	23	22:0
Name	X	PLL

Name	Label	Type	Default	Description
PLL	pm_lv1_linear[22:0]	R	23'd0	23'h000000 ~ 23'h7fffff: 2 [^] (-23)~1

Addr 0x9A: PBQ Checksum

Bit	31:0
Name	PCK

Name	Label	Type	Default	Description
PCK	pbq_checksum_key[31:0]	RW	32'h0000_0000	The reference value of pbq memory checksum result

Addr 0x9B: MDRC Checksum

Bit	31:0
Name	MCK

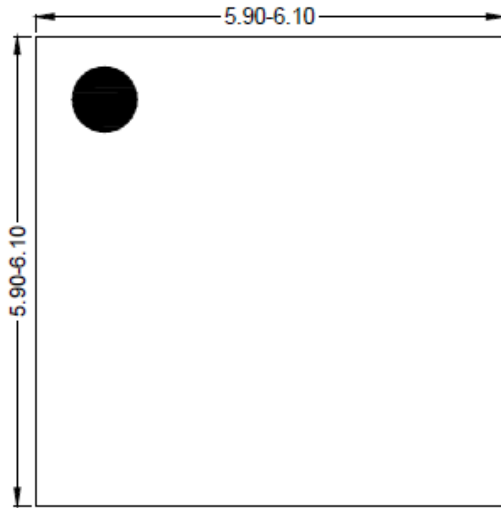
Name	Label	Type	Default	Description
MCK	mdrc_checksum_key[31:0]	RW	32'h4000_0000	The reference value of drc memory checksum result

Addr 0x9C: PBQ CH2 Checksum

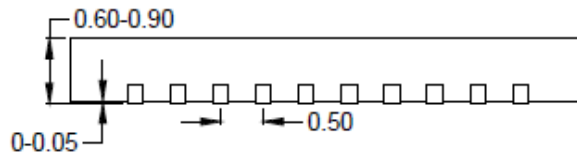
Bit	31:0
Name	PC2CK

Name	Label	Type	Default	Description
PC2CK	PBQ_ch2_checksum_key	RW	32'h0000_0000	The reference value of pbq ch2 memory checksum result

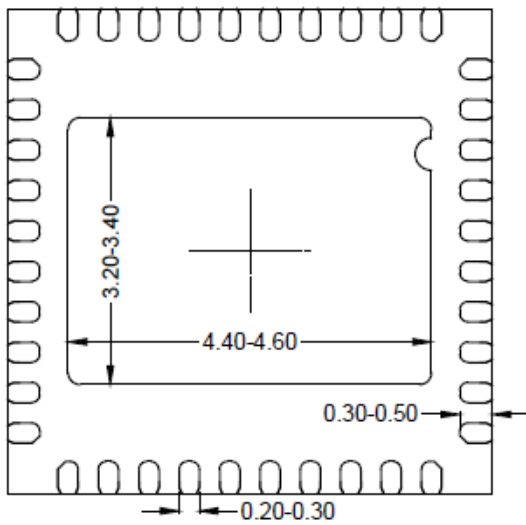
QFN6×6-40 Package Outline



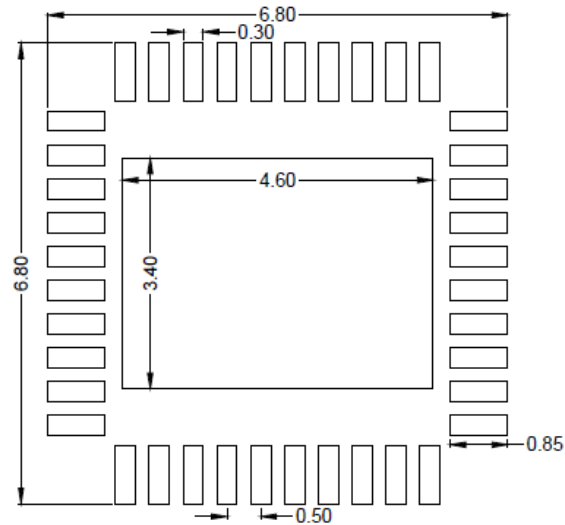
Top view



Side view



Bottom View



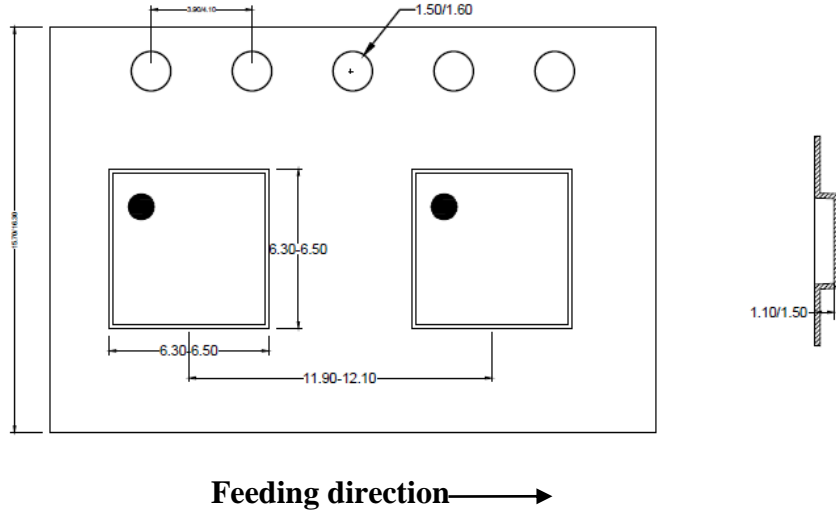
**Recommended PCB Layout
(Reference only)**

Notes: All dimension in millimeter and exclude mold flash & metal burr.

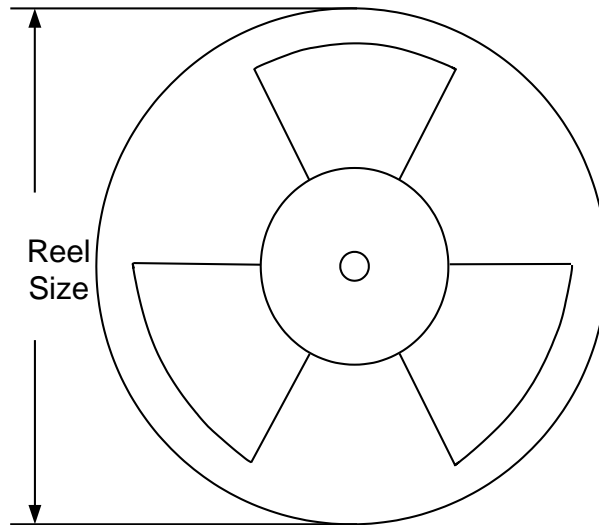
Taping & Reel Specification

1. Taping orientation

QFN6×6



2. Carrier Tape & Reel specification for packages



Package types	Tape width (mm)	Pocket pitch(mm)	Reel size (Inch)	Trailer length(mm)	Leader length (mm)	Qty per reel
QFN6×6	16	12	13"	400	400	2500

3. Others: NA

Revision History

The revision history provided is for informational purpose only and is believed to be accurate, however, not warranted. Please make sure that you have the latest revision.

Date	Revision	Change
May 30, 2023	Revision 1.0	Production Release
May 30, 2022	Revision 0.9A	Add the content of package thermal resistance.
Sept.6, 2021	Revision 0.9	Initial Release

IMPORTANT NOTICE

- 1. Right to make changes.** Silergy and its subsidiaries (hereafter Silergy) reserve the right to change any information published in this document, including but not limited to circuitry, specification and/or product design, manufacturing or descriptions, at any time and without notice. This document supersedes and replaces all information supplied prior to the publication hereof. Buyers should obtain the latest relevant information before placing orders and should verify that such information is current and complete. All semiconductor products are sold subject to Silergy's standard terms and conditions of sale.
- 2. Applications.** Application examples that are described herein for any of these products are for illustrative purposes only. Silergy makes no representation or warranty that such applications will be suitable for the specified use without further testing or modification. Buyers are responsible for the design and operation of their applications and products using Silergy products. Silergy or its subsidiaries assume no liability for any application assistance or designs of customer products. It is customer's sole responsibility to determine whether the Silergy product is suitable and fit for the customer's applications and products planned. To minimize the risks associated with customer's products and applications, customer should provide adequate design and operating safeguards. Customer represents and agrees that it has all the necessary expertise to create and implement safeguards which anticipate dangerous consequences of failures, monitor failures and their consequences, lessen the likelihood of failures that might cause harm and take appropriate remedial actions. Silergy assumes no liability related to any default, damage, costs or problem in the customer's applications or products, or the application or use by customer's third-party buyers. Customer will fully indemnify Silergy, its subsidiaries, and their representatives against any damages arising out of the use of any Silergy components in safety-critical applications. It is also buyers' sole responsibility to warrant and guarantee that any intellectual property rights of a third party are not infringed upon when integrating Silergy products into any application. Silergy assumes no responsibility for any said applications or for any use of any circuitry other than circuitry entirely embodied in a Silergy product.
- 3. Limited warranty and liability.** Information furnished by Silergy in this document is believed to be accurate and reliable. However, Silergy makes no representation or warranty, expressed or implied, as to the accuracy or completeness of such information and shall have no liability for the consequences of use of such information. In no event shall Silergy be liable for any indirect, incidental, punitive, special or consequential damages, including but not limited to lost profits, lost savings, business interruption, costs related to the removal or replacement of any products or rework charges, whether or not such damages are based on tort or negligence, warranty, breach of contract or any other legal theory. Notwithstanding any damages that customer might incur for any reason whatsoever, Silergy' aggregate and cumulative liability towards customer for the products described herein shall be limited in accordance with the Standard Terms and Conditions of Sale of Silergy.
- 4. Suitability for use.** Customer acknowledges and agrees that it is solely responsible for compliance with all legal, regulatory and safety-related requirements concerning its products, and any use of Silergy components in its applications, notwithstanding any applications-related information or support that may be provided by Silergy. Silergy products are not designed, authorized or warranted to be suitable for use in life support, life-critical or safety-critical systems or equipment, nor in applications where failure or malfunction of an Silergy product can reasonably be expected to result in personal injury, death or severe property or environmental damage. Silergy assumes no liability for inclusion and/or use of Silergy products in such equipment or applications and therefore such inclusion and/or use is at the customer's own risk.
- 5. Terms and conditions of commercial sale.** Silergy products are sold subject to the standard terms and conditions of commercial sale, as published at <http://www.silergy.com/stdterms>, unless otherwise agreed in a valid written individual agreement specifically agreed to in writing by an authorized officer of Silergy. In case an individual agreement is concluded only the terms and conditions of the respective agreement shall apply. Silergy hereby expressly objects to and denies the application of any customer's general terms and conditions with regard to the purchase of Silergy products by the customer.
- 6. No offer to sell or license.** Nothing in this document may be interpreted or construed as an offer to sell products that is open for acceptance or the grant, conveyance or implication of any license under any copyrights, patents or other industrial or intellectual property rights. Silergy makes no representation or warranty that any license, either express or implied, is granted under any patent right, copyright, mask work right, or other intellectual property right. Information published by Silergy regarding third-party products or services does not constitute a license to use such products or services or a warranty or endorsement thereof. Use of such information may require a license from a third party under the patents or other intellectual property of the third party, or a license from Silergy under the patents or other intellectual property of Silergy.

For more information, please visit: www.silergy.com

© 2020 Silergy Corp.

All Rights Reserved.